

CODING

- 141009
- 102020






ISO 9001:2015
Reg. No. 000435-1-MY-1-QMS

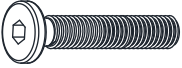
nesthouz.com

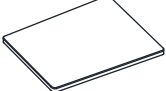



Read the instructions carefully. Remove all the wrappings, staples and straps from the carton. Refer to the hardware and furniture part list for guidance. Make sure that you have all the parts before you start assembling. Place all the wooden furniture parts on a clean, flat and soft surface, such as a carpet or rubbermat to prevent scratches.

CAUTION

KEEP ALL THE PARTS OUT OF CHILDREN'S REACH.

ITEM	PHOTO	HAREWARE NAME	QTY
(A)		ALLEN KEY M5	1
(B)		CSK SCREW M4 X 38MM	8
(C)		BASE GLIDER	4

(D)		x7
-----	---	----

ITEM	PHOTO	PARTS NAME	QTY
(1)		Table Top	1
(2)		Frame upper side	1
(3)		Pole	1
(4)		Frame lower side	1

CODING

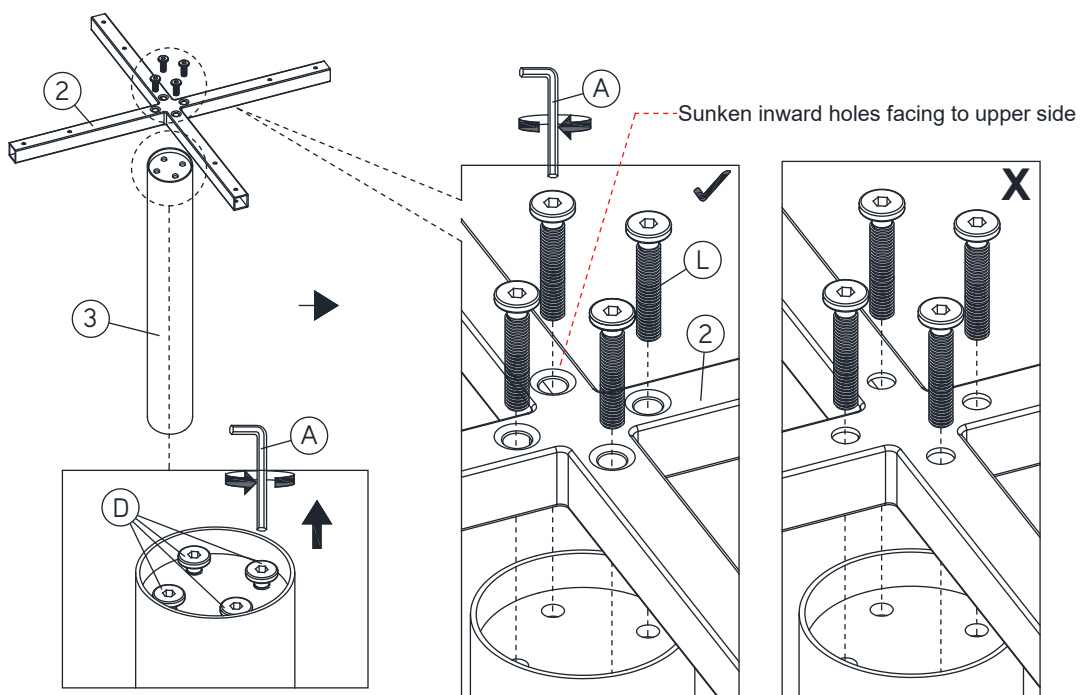
- 141009
- 102020



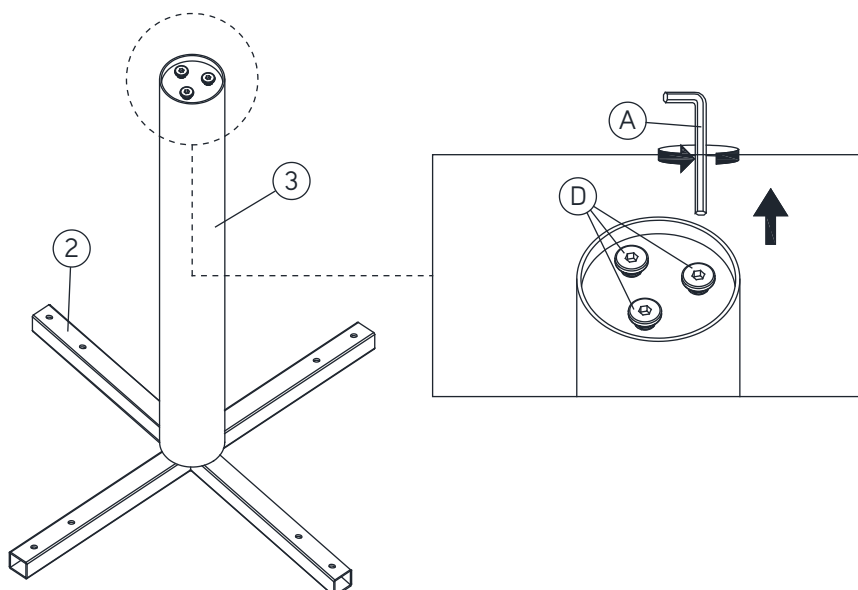
ISO 9001:2015
Reg. No. 000435-1-MY-1-QMS

nesthouz.com

1



2



CODING

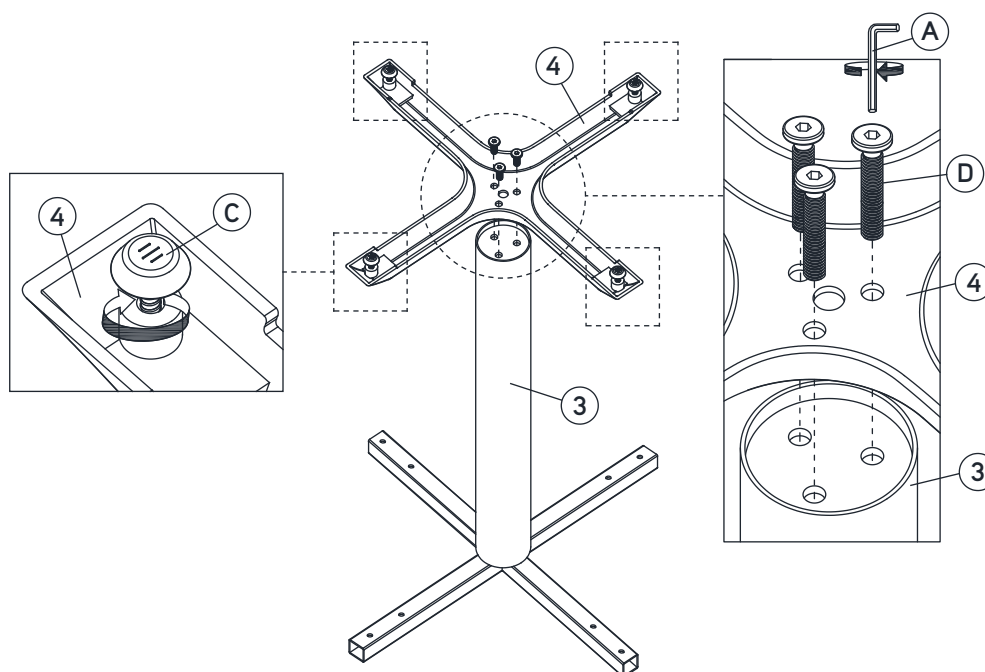
- 141009
- 102020



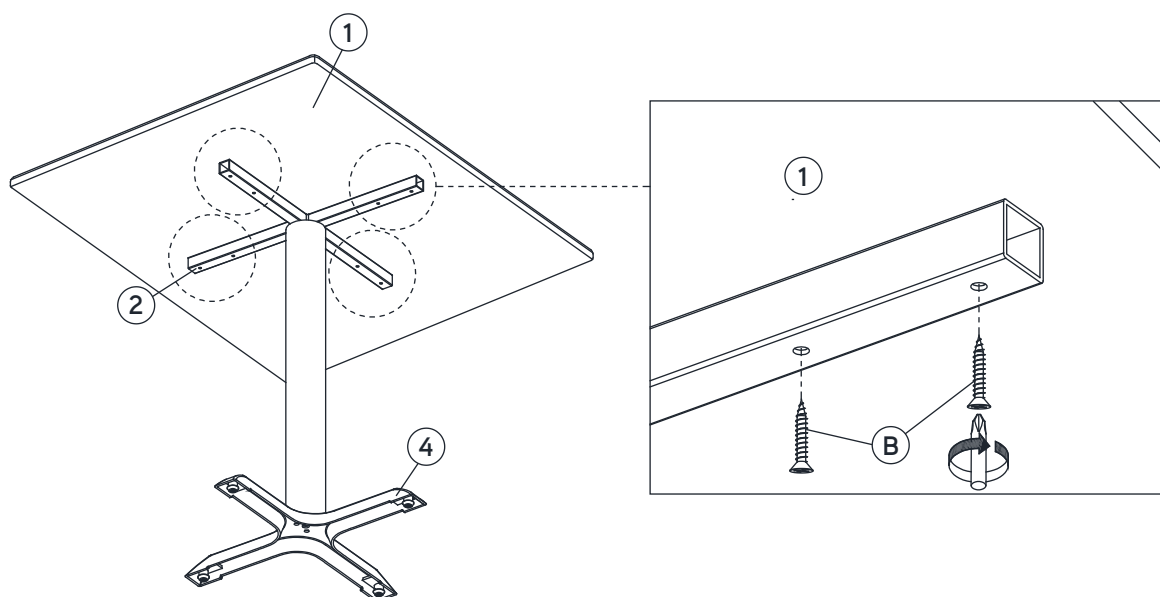
ISO 9001:2015
Reg. No. 000435-1-MY-1-QMS

nesthouz.com

3



4



CODING

- 141009
- 102020



ISO 9001:2015
Reg. No. 000435-1-MY-1-QMS

nesthouz.com

5

