

CODING  
-973005ISO 9001:2015  
Reg. No. 000435-1-MY-1-QMS

fyndfurniture.com

Read the instructions carefully. Remove all the wrappings, staples and straps from the carton. Refer to the hardware and furniture part list for guidance. Make sure that you have all the parts before you start assembling. Place all the wooden furniture parts on a clean, flat and soft surface, such as a carpet or rubbermat to prevent scratches.

## CAUTION

KEEP ALL THE PARTS OUT OF CHILDREN'S REACH

ITEM.	PHOTO	HARDWARE NAME	Q'TY
Ⓐ		BOLTS M6 x 35	8
Ⓑ		WASHERS M6 x 16	8
Ⓒ		LOCK WASHERS M6 x 11	8
Ⓓ		ALLEN KEY 4	1
Ⓔ		PLASTIC ANCHOR 2	2
Ⓕ		SCREW M4 x 50	2

ITEM.	PHOTO	PARTS NAME	SPARE Q'TY
①		MIRROR	1
②		DRESSER	1
③		SUPPORT BAR	2

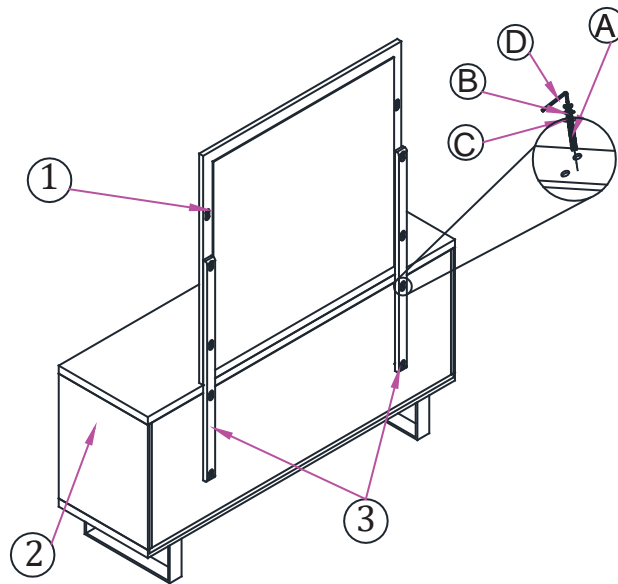
CODING  
-973005



ISO 9001:2015  
Reg. No. 000435-1-MY-1-QMS

fyndfurniture.com

1



2

MOUNTING SCREWS AND ACHOR ON THE WALL

