

CODING

-65550040/83109-744
-65550040/86104-744







ISO 9001:2015
Reg. No. 000435-1-MY-1-QMS

nesthouz.com

Read the instruction carefully. Remove all the wrapping material. Staples and straps from the carton. Refer to the hardware and furniture part list for guidance. Be sure that you have all the parts before you start assembling. Place all the wooden furniture part on a clean and flat soft surface, such as carpet or rubbermat to prevent from scratches

CAUTION
KEEP ALL THE PARTS OUT REACH OF CHILDREN

ITEM	HARDWARE LIST	QTY	SPARE QTY
1	BRACKET 	4	0
2	SCREW 	21	1
3	SCREW 	1	0
4	ALLEN KEY 	1	0

ITEM	PART LIST	QTY
1	HEAD BOARD	1
2	FOOT BOARD	1
3	SIDE RAIL	2
4	BOTTOM BOARD	3
5	CENTER SUPPORT LEG	1
6	CENTER RAIL	1

FREMONT

WARRANTY & ASSEMBLY GUIDE

CODING

-65550040/83109-744

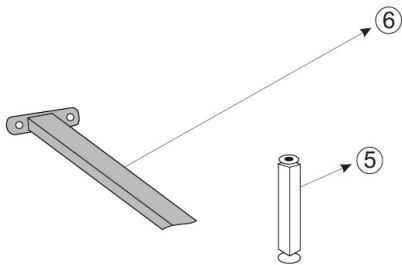
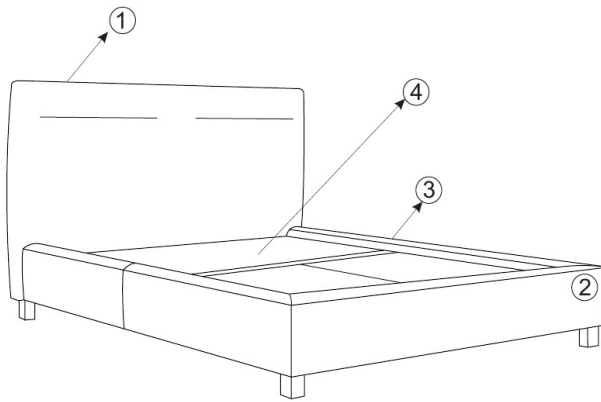
-65550040/86104-744



ISO 9001:2015
Reg. No. 00045-1-MY-1-QMS

nesthouz.com

1



2

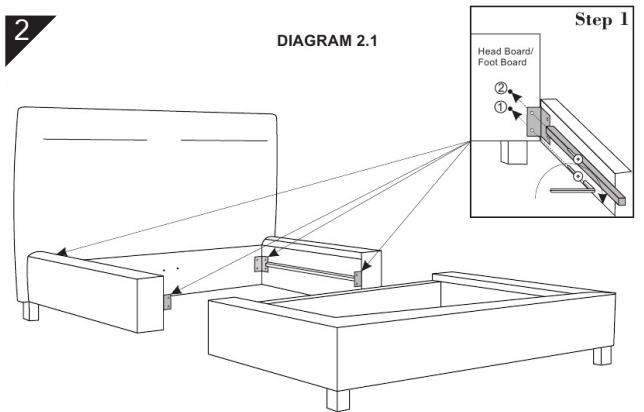
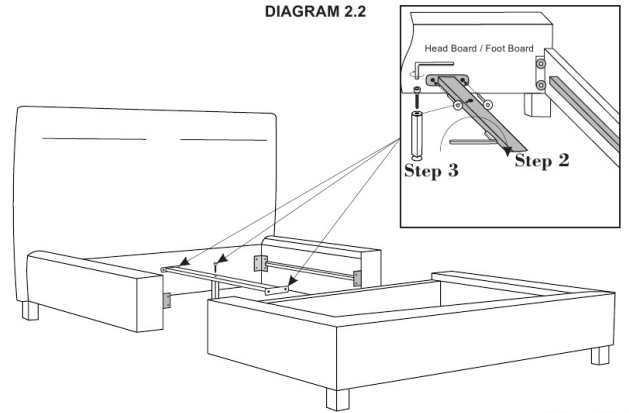
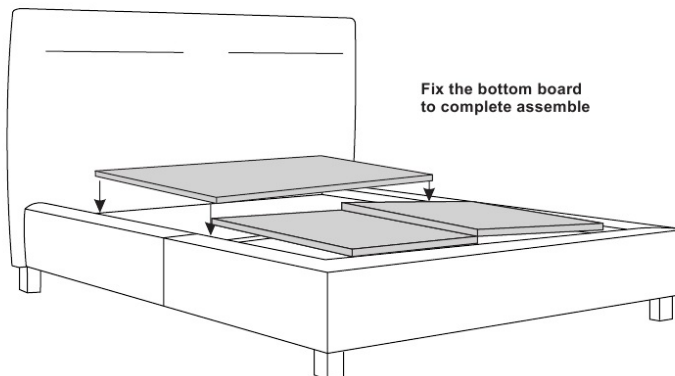


DIAGRAM 2.1

DIAGRAM 2.2



3



Fix the bottom board
to complete assemble