

CODING
- 653043
- 653044



ISO 9001 : 2015
Reg. 000435-1-MY-1-QMS

nesthouz.com

Read the instruction carefully . Remove all the wrapping material staples and straps from the carton. Refer to the hardware and furniture part list for guidance. Make sure you have all part before you start assembling. Place all the wooden furniture part on a clean and flat surface, such as carpet or rubbermat to prevent scratches.

CAUTION
KEEP ALL THE PARTS OUT OF CHILDREN ' S REACH.

ITEM	PHOTO	HARDWARE NAME	QTY
(A)		JCBC M6 x 60 mm	16
(B)		SPRING WASHER	12
(C)		METAL HOLE	12
(D)		WOOD DOWEL M10 X 30mm	6
(E)		ADJUSTER SCREW	4
(F)		CSK M4 x 25mm	18
(G)		ALLEN KEY M4	1
(H)		JCBC M6 x 40 mm	8

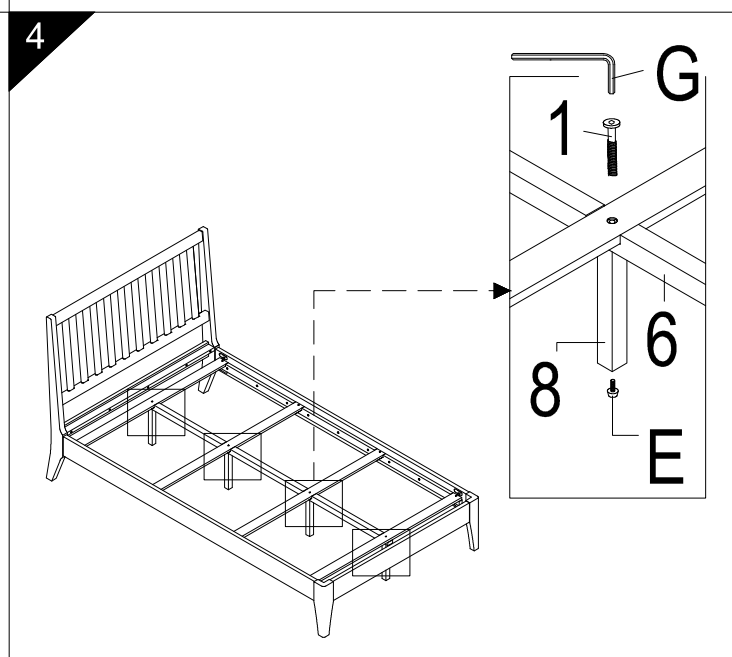
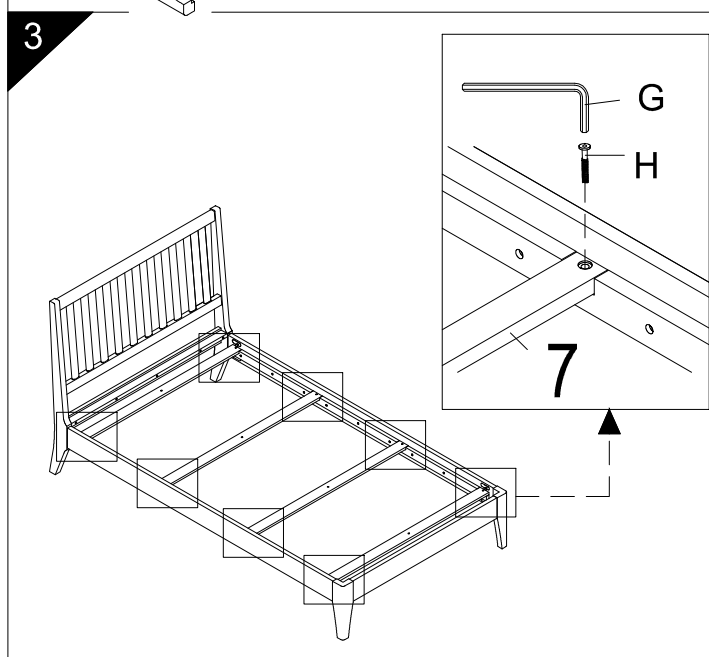
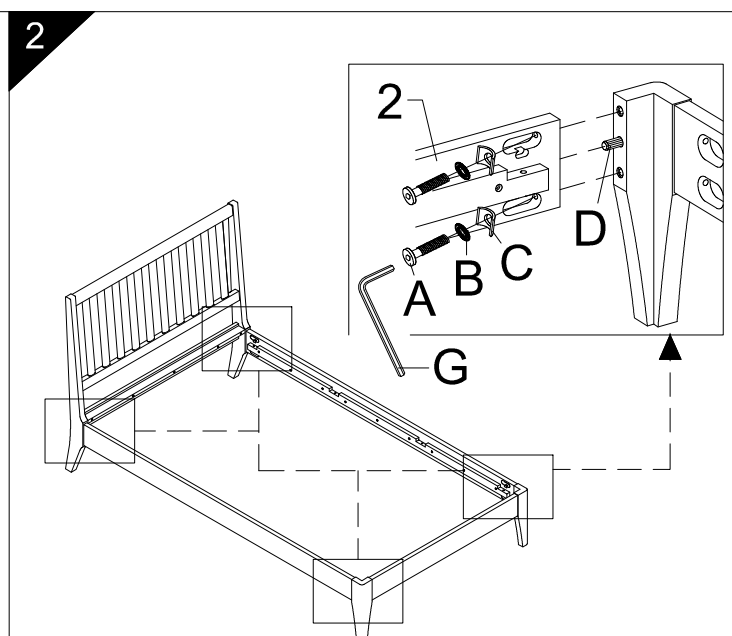
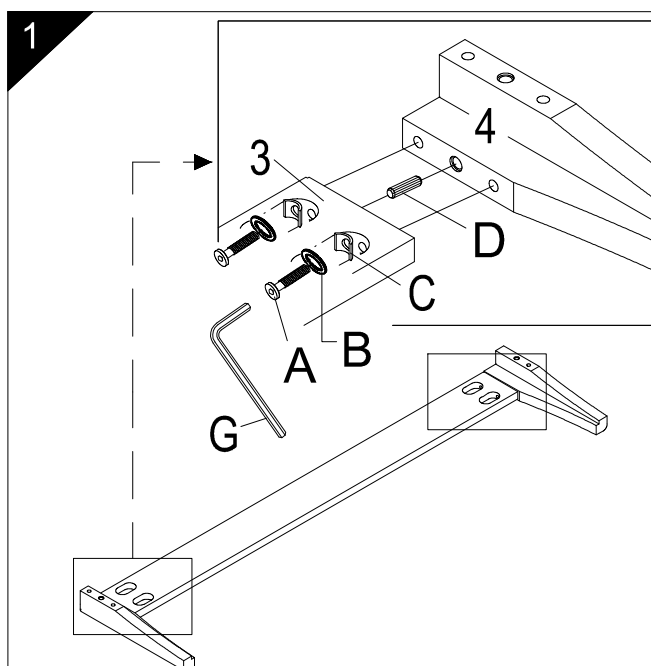
ITEM	PHOTO	PARTS NAME	QTY
(1)		HEADBOARD	1
(2)		SIDE RAIL	2
(3)		FOOTBOARD PANEL	1
(4)		FOOTBOARD LEG	2
(5)		MDF Board	3
(6)		CENTER RAIL	1
(7)		SLAT	4
(8)		SUPPORT LEG	4

CODING
- 653043
- 653044



ISO 9001 : 2015
Reg. 000435-1-MY-1-QMS

nesthouz.com



CODING
- 653043
- 653044



ISO 9001 : 2015
Reg. 000435-1-MY-1-QMS

nesthouz.com

