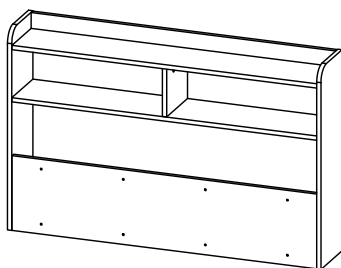


CODING
- 653027



ISO 9001:2015
Reg. No. 009435-1-2017-1-QMS

nuhoom.com

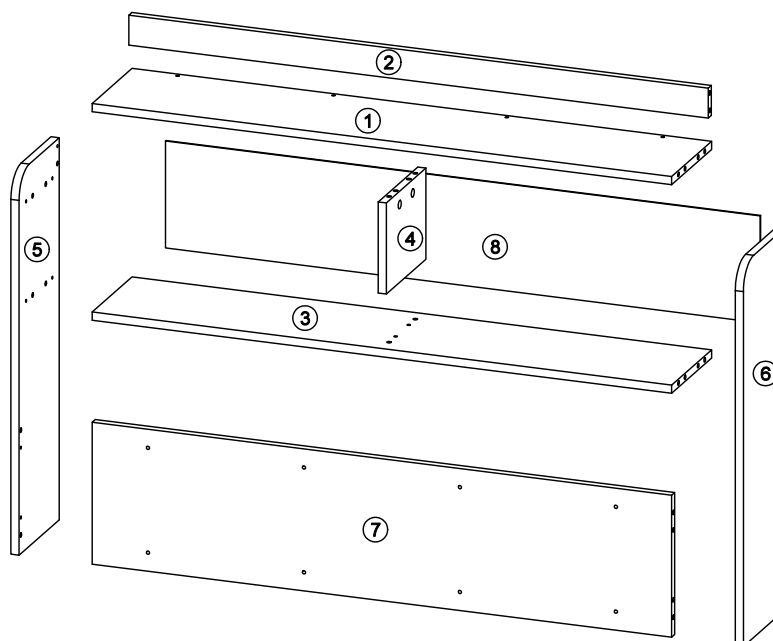
Read the instructions carefully. Remove all the wrappings, staples and straps from the carton. Refer to the hardware and furniture part list for guidance. Make sure that you have all the parts before you start assembling. Place all the wooden furniture parts on a clean, flat and soft surface, such as a carpet or rubbermat to prevent scratches.

CAUTION
KEEP ALL THE PARTS OUT OF CHILDREN'S REACH.

PART LIST		QTY
1	TOP PANEL	1 PC
2	TOP BONE	1 PC
3	MIDDLE PANEL	1 PC
4	CENTER PANEL	1 PC
5	SIDE PANEL (L)	1 PC
6	SIDE PANEL (R)	1 PC
7	FRONT PANEL	1 PC
8	BACK PANEL	1 PC

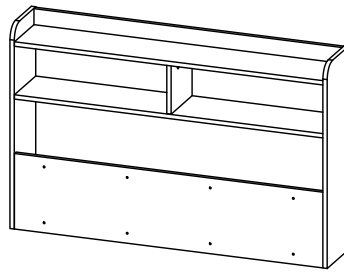
HARDWARE			
A	MINI FIX	A1 A2 A3	16 SETS
B	M8 X 30MM WOOD DOWEL		18 PCS
C	M6 X 50MM CSK CAP WOOD SCREW		6 PCS
D	ALLEN KEY M4		1 PC
E	M4 X 25MM C.B SCREW		8 PCS
F	5/8 NAIL		15 PCS
G	5/8 PVC NAIL LEG		4 PCS

SELF-PREPARED TOOLS: Tools below are NOT included in package.	
SCREWDRIVER	HAMMER



HIRADO

CODING
- 653027

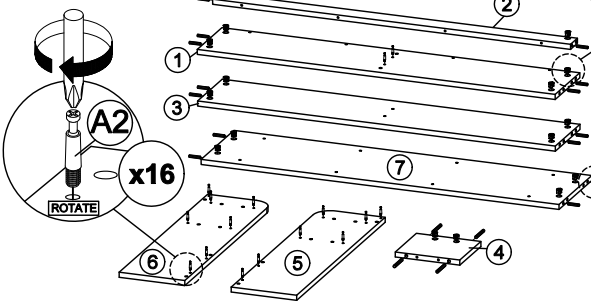
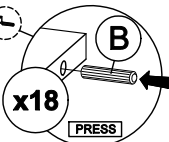
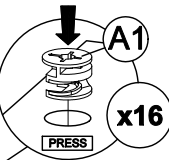


ISO 9001:2015
Reg. No. 00035-L-INT-1-QM8

nuhoom.com

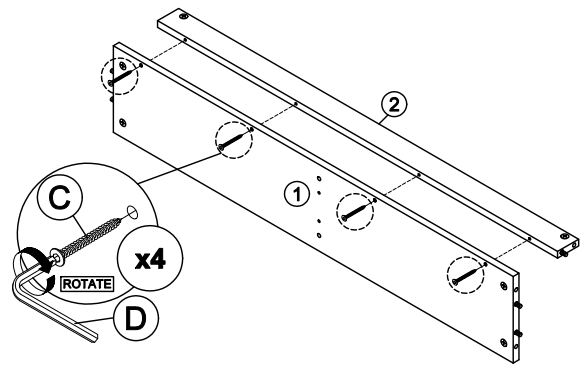
STEP 1

- Insert hardware **A1** onto panel (1), (2), (3), (4) and (7).
(Repeat 16 times.)
- Insert hardware **A2** onto panel (1), (5) and (6).
(Repeat 16 times.)
- Insert hardware **B** onto panel (1), (2), (3), (4) and (7).
(Repeat 18 times.)



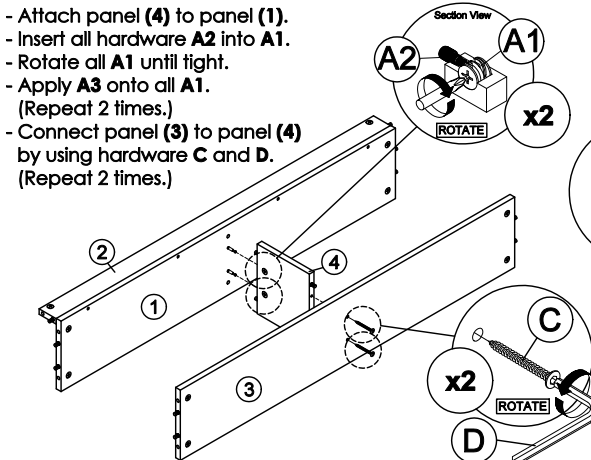
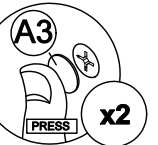
STEP 2

- Connect panel (2) to panel (1) by using hardware **C** and **D**.
(Repeat 4 times.)



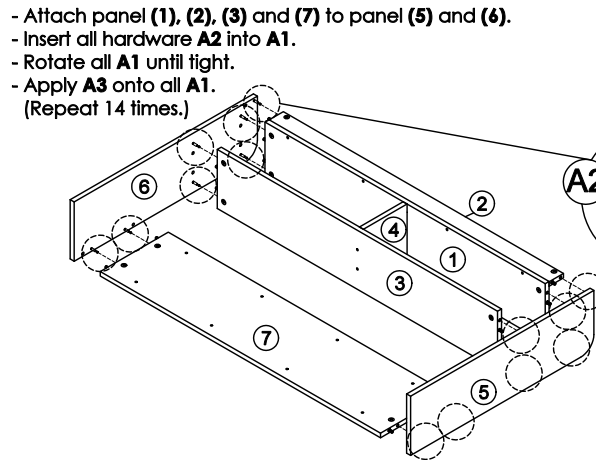
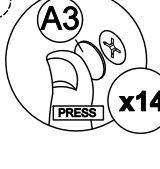
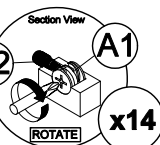
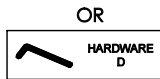
STEP 3

- Attach panel (4) to panel (1).
- Insert all hardware **A2** into **A1**.
- Rotate all **A1** until tight.
- Apply **A3** onto all **A1**.
(Repeat 2 times.)
- Connect panel (3) to panel (4)
by using hardware **C** and **D**.
(Repeat 2 times.)



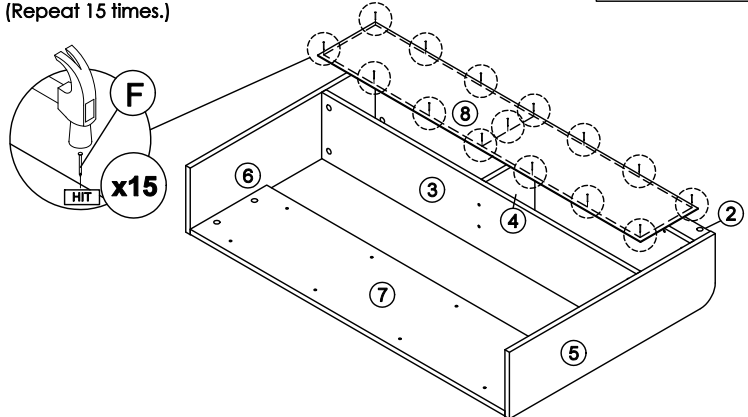
STEP 4

- Attach panel (1), (2), (3) and (7) to panel (5) and (6).
- Insert all hardware **A2** into **A1**.
- Rotate all **A1** until tight.
- Apply **A3** onto all **A1**.
(Repeat 14 times.)



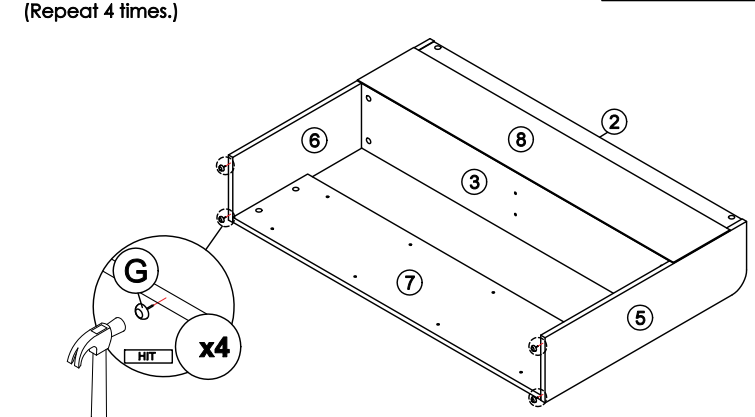
STEP 5

- Assemble panel (8) to entire body with hardware **F**.
(Repeat 15 times.)

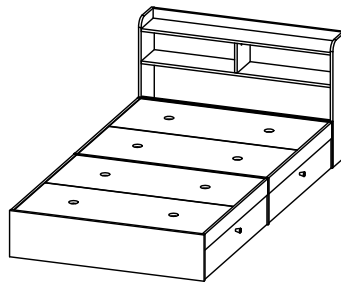


STEP 6

- Hit hardware **G** into bottom of panel (5) and (6).
(Repeat 4 times.)



CODING
- 653027



ISO 9001:2015
Reg. No. 009435-1-MY-1-QMS

nuhoom.com

Read the instructions carefully. Remove all the wrappings, staples and straps from the carton. Refer to the hardware and furniture part list for guidance. Make sure that you have all the parts before you start assembling. Place all the wooden furniture parts on a clean, flat and soft surface, such as a carpet or rubbermat to prevent scratches.

CAUTION
KEEP ALL THE PARTS OUT OF CHILDREN'S REACH.

PART LIST		QTY
1	HEADBOARD	1 PC
2	FOOTBOARD - 1	1 PC
3	FOOTBOARD - 2	1 PC
4	SIDE PANEL (L1)	1 PC
5	SIDE PANEL (L2)	1 PC
6	SIDE PANEL (R1)	1 PC
7	SIDE PANEL (R2)	1 PC
8	CENTER PANEL	1 PC
9	CENTER SUPPORT	1 PC
10	CENTER SUPPORT	1 PC
11	BUNKIE BOARD	4 PCS
12	DRAWER FRONT	2 PCS
13	DRAWER BACK	2 PCS
14	DRAWER SIDE (L)	2 PCS
15	DRAWER SIDE (R)	2 PCS
16	DRAWER BOTTOM	2 PCS
17	DRAWER BONE	4 PCS

HARDWARE

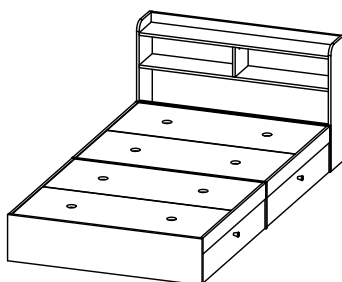
A	MINI FIX	A1 A2 A3	32 SETS
B	M8 X 30MM WOOD DOWEL		20 PCS
C	M3.5 X 16MM C.B SCREW		36 PCS
D	M4 X 25MM C.B SCREW		10 PCS
E	M4 X 38MM C.B SCREW		8 PCS
F	5/8 PVC NAIL LEG		10 PCS
G	ONE HOLE L BRACKET (2MM)		4 PCS
H	311 KNOB		2 PCS
I	18" DRAWER SLIDE	I1 (L/R) I2 (L/R)	2 SET

SELF-PREPARED TOOLS: Tools below are NOT included in package.

	SCREWDRIVER		HAMMER
--	-------------	--	--------

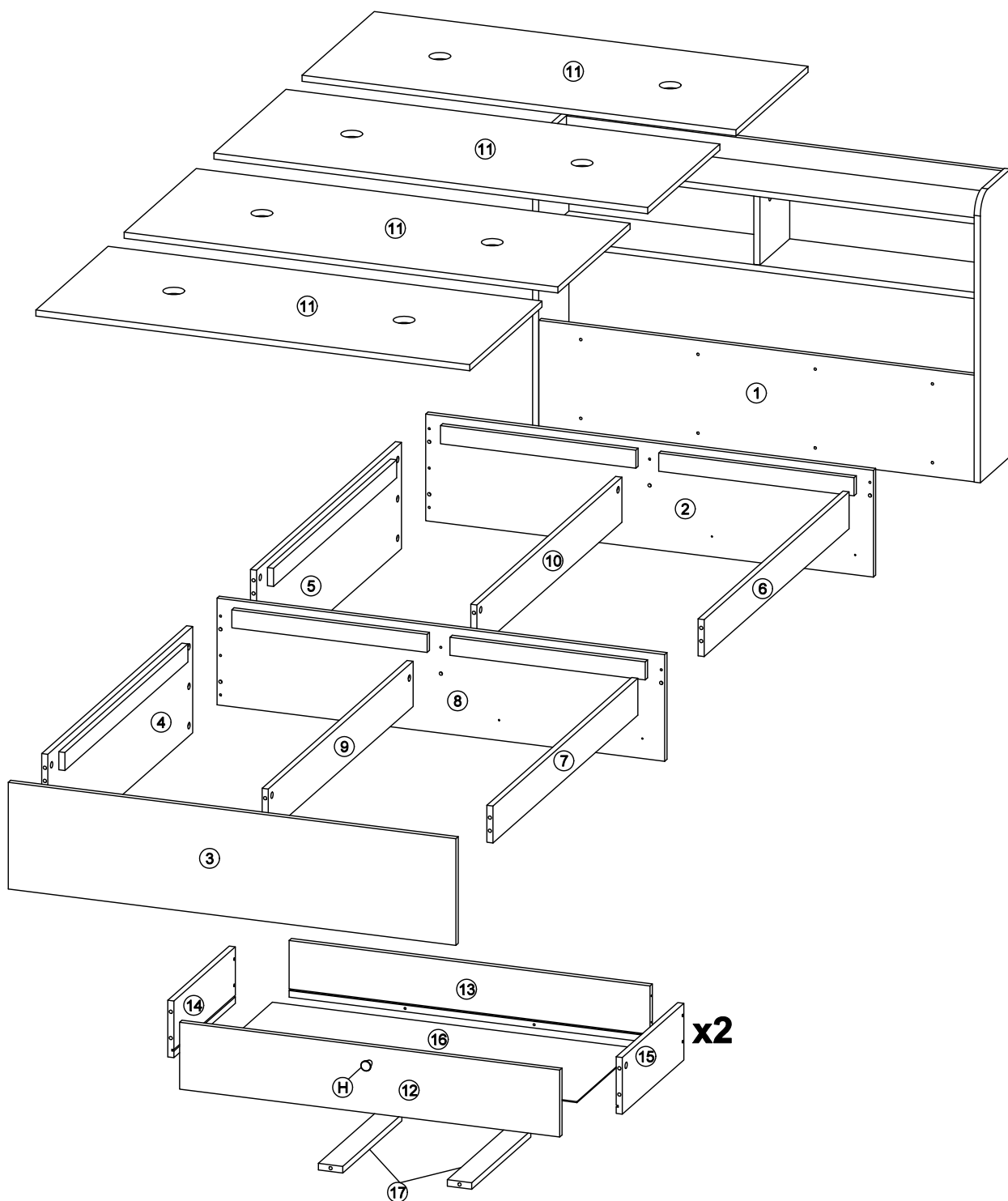
HIRADO

CODING
- 653027

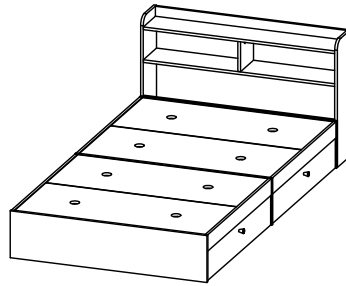


ISO 9001:2015
Reg. No. 009435-1-MY-1-QMS

nuhoom.com



CODING
- 653027

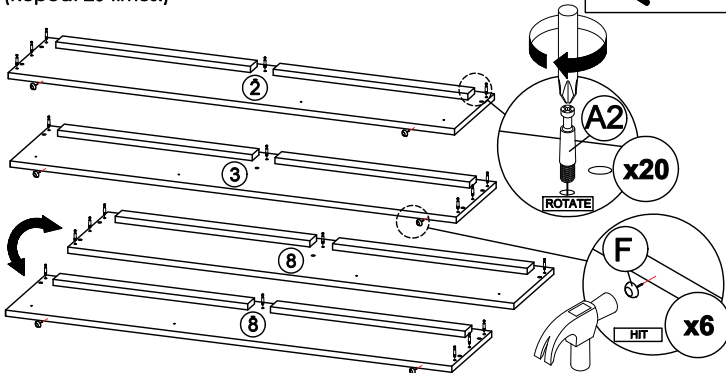


ISO 9001:2015
Reg. No. 00005-L-INT-1-QM8

nuhoom.com

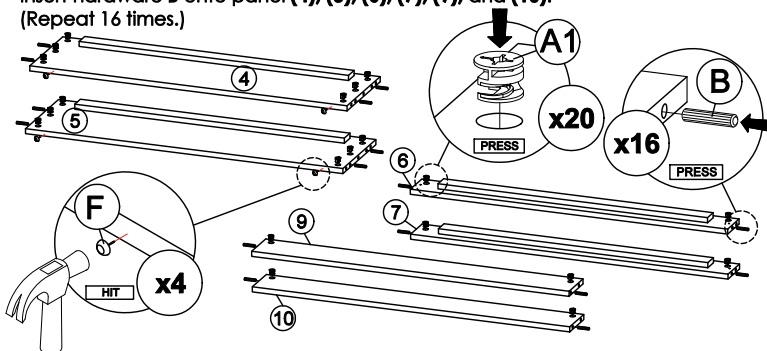
STEP 1

- Hit hardware **F** into bottom of **(2)**, **(3)** and **(8)** using a hammer. (Repeat 6 times.)
- Insert hardware **A2** onto panel **(2)**, **(3)** and **(8)**. (Repeat 20 times.)



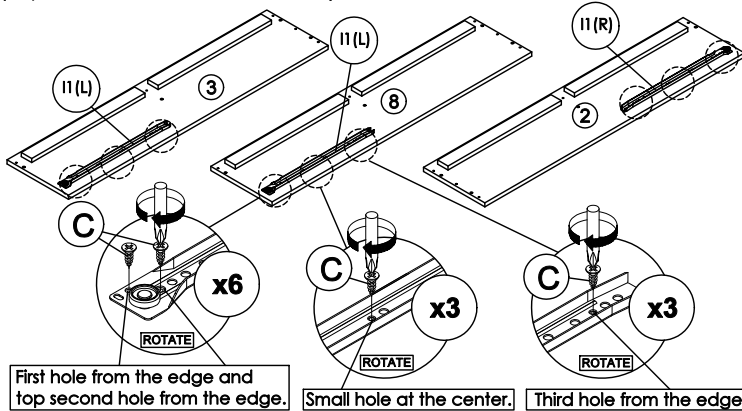
STEP 2

- Hit hardware **F** into bottom of **(4)** and **(5)** by using a hammer. (Repeat 4 times.)
- Insert hardware **A1** onto panel **(4)**, **(5)**, **(6)**, **(7)**, **(9)**, and **(10)**. (Repeat 20 times.)
- Insert hardware **B** onto panel **(4)**, **(5)**, **(6)**, **(7)**, **(9)**, and **(10)**. (Repeat 16 times.)



STEP 3

- Fix hardware **I1 (L/R)** into panel **(2)**, **(3)** and **(8)** with hardware **C**. (Repeat 4 times for each hardware.)



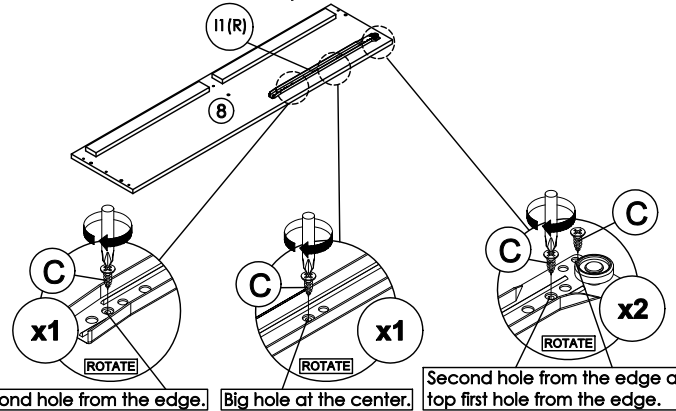
First hole from the edge and top second hole from the edge.

Small hole at the center.

Third hole from the edge.

STEP 4

- Fix hardware **I1 (R)** into panel **(8)** with hardware **C**. (Repeat 4 times for each hardware.)



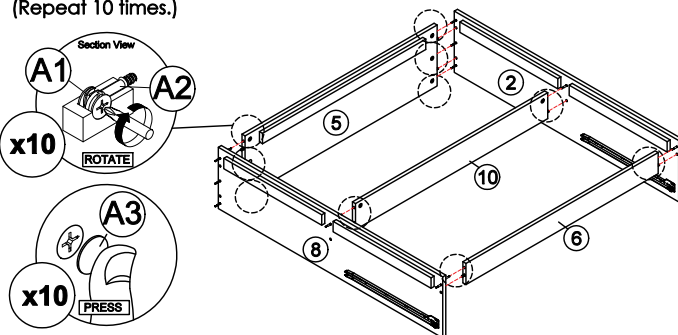
Second hole from the edge.

Big hole at the center.

Second hole from the edge and top first hole from the edge.

STEP 5

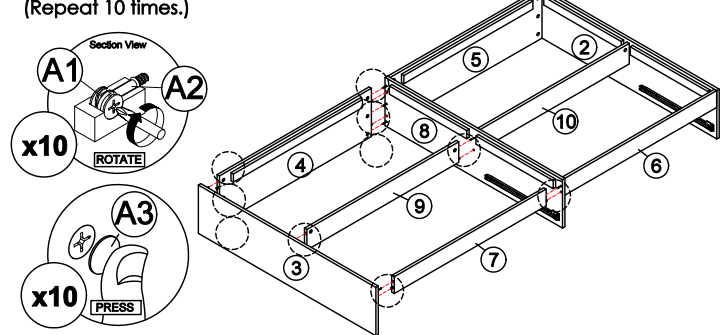
- Attach panel **(2)** and **(8)** to panel **(5)**, **(6)** and **(10)**.
- Insert all hardware **A2** into **A1**.
- Rotate all **A1** until tight.
- Apply **A3** onto all **A1**. (Repeat 10 times.)



* In this step hardware **A1**, **A2** and **B** are pre-inserted.

STEP 6

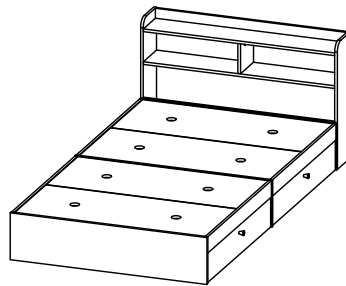
- Attach panel **(3)** and **(8)** to panel **(4)**, **(7)** and **(9)**.
- Insert all hardware **A2** into **A1**.
- Rotate all **A1** until tight.
- Apply **A3** onto all **A1**. (Repeat 10 times.)



* In this step hardware **A1**, **A2** and **B** are pre-inserted.

HIRADO

CODING
- 653027

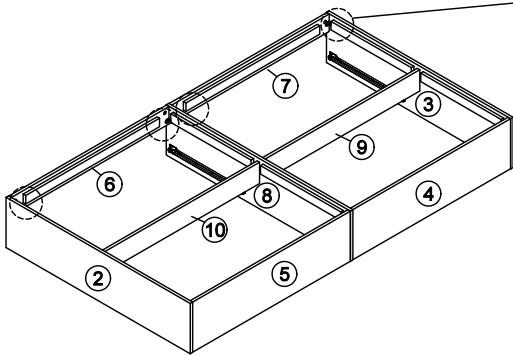
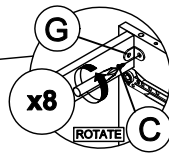


ISO 9001:2015
Reg. No. 00005-1-INT-1-QM8

nuhoom.com

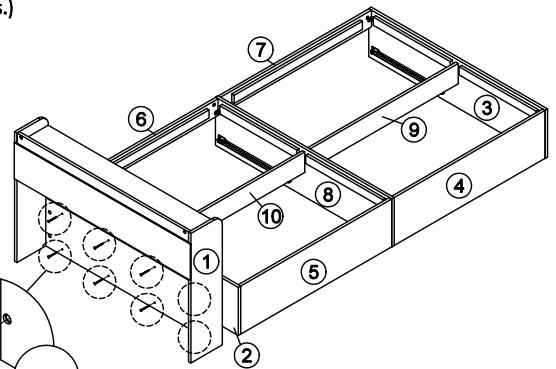
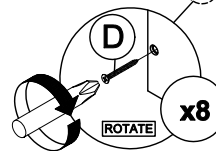
STEP 7

- Assemble hardware **G** to panel **(2)**, **(3)**, **(6)**, **(7)** and **(8)** with hardware **C**.
(Repeat 8 times.)



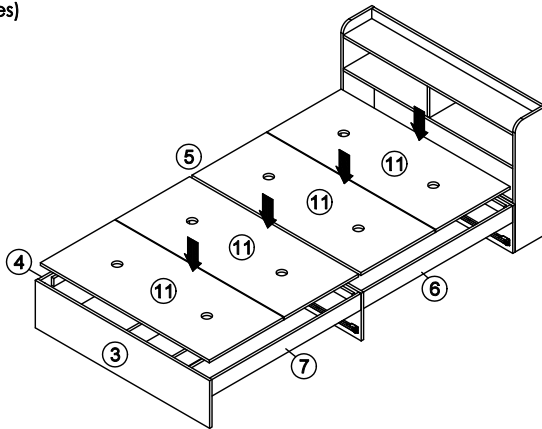
STEP 8

- Connect headboard **(1)** to panel **(2)** by using hardware **D**.
(Repeat 8 times.)



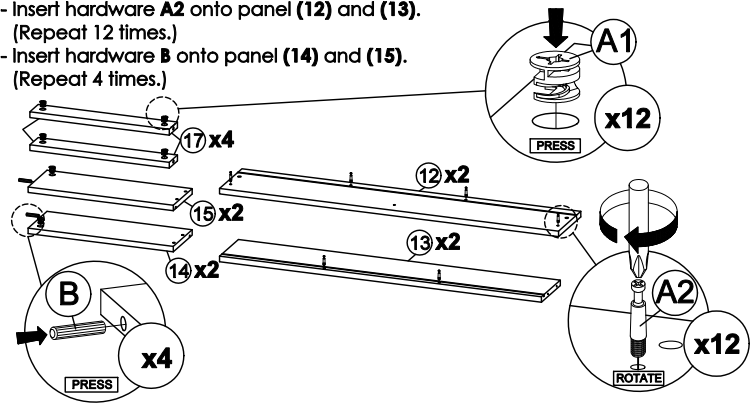
STEP 9

- Assemble panel **(11)** into between panel **(4)**, **(5)** and **(6)**, **(7)**.
(Repeat 4 times)



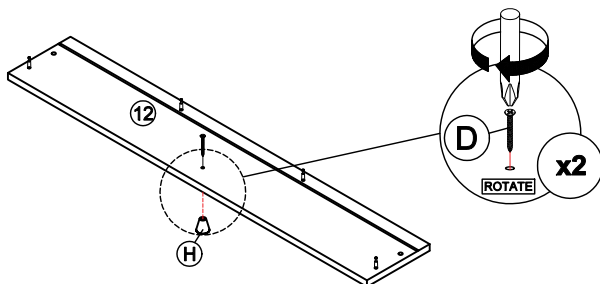
STEP 10

- Insert hardware **A1** onto panel **(14)**, **(15)** and **(17)**.
(Repeat 12 times.)
- Insert hardware **A2** onto panel **(12)** and **(13)**.
(Repeat 12 times.)
- Insert hardware **B** onto panel **(14)** and **(15)**.
(Repeat 4 times.)



STEP 11

- Fix hardware **H** onto panel **(12)** by using hardware **D**.
(Repeat 2 times.)

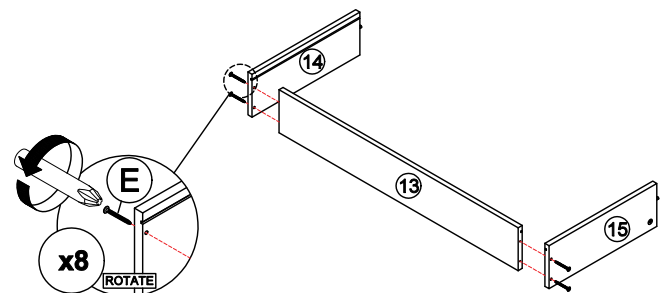


STEP 12

- Assemble panel **(13)** with panel **(14)** and **(15)** by using hardware **E**.
(Repeat 8 times.)

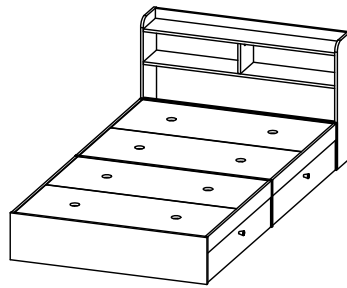


* In this step only show one of the drawers.



HIRADO

CODING
- 653027



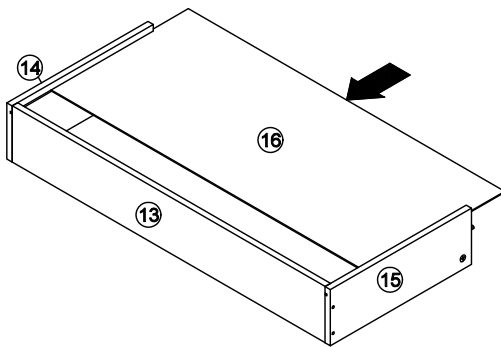
ISO 9001:2015
Reg. No. 00003-L-INT-1-QM

nuhoom.com

STEP 13

Insert the panel (16) along the slot.
(Repeat 2 times.)

* In this step only show one of the drawers.



STEP 14

- Attach panel (17) to panel (13) then attach panel (12) to panel (14), (15) and (17).

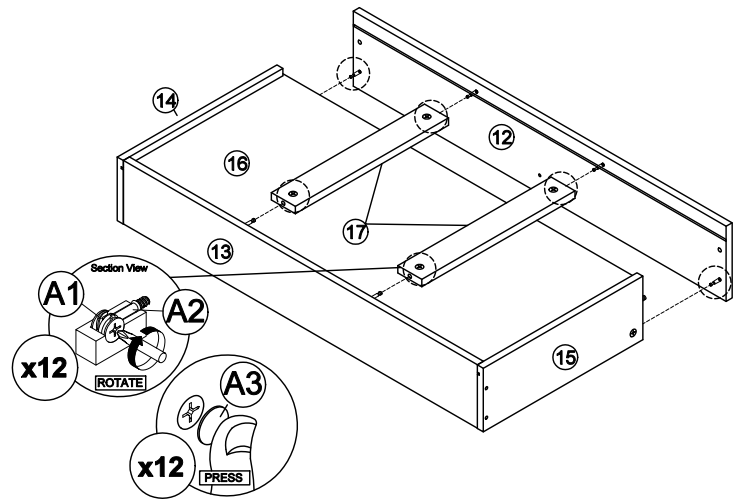
- Insert all hardware A2 into A1.

- Rotate all A1 until tight.

- Apply A3 onto all A1.

(Repeat 12 times.)

* In this step only show one of the drawers.



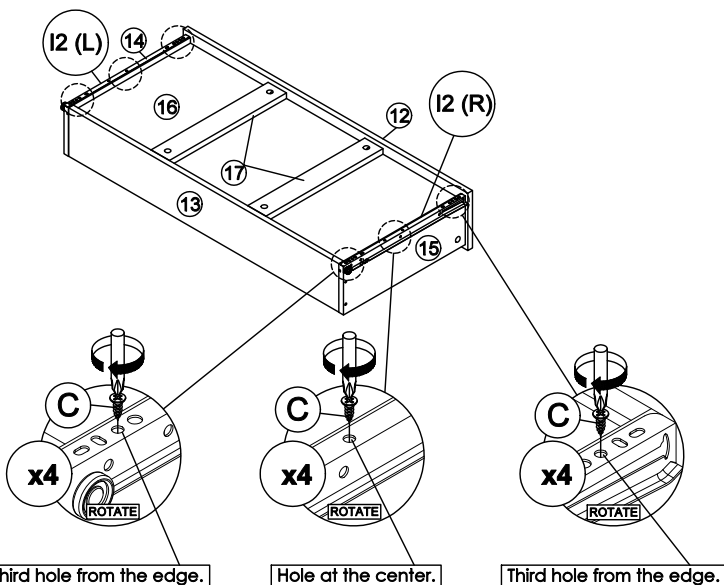
* In this step hardware A1, A2 and B are pre-inserted.

STEP 15

- Assemble hardware I2 (L/R) to panel (14) and (15) by using hardware C.

(Repeat 3 times for each hardware.)

* In this step only show one of the drawers.



Third hole from the edge.

Hole at the center.

Third hole from the edge.

*Hardware I2 (L/R) shall be leaning against panel (12) when assembling.

STEP 16

- Put all the drawer in place along the drawer slides.

