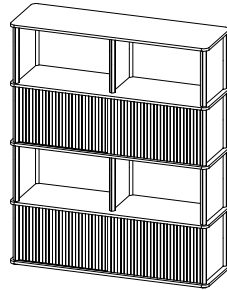


**CODING**  
- 524020

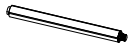
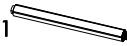



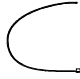
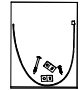




ISO 9001:2015  
Reg. No. 00043-1-RT-1-QM8

**nuhoom.com**

Read the instructions carefully. Remove all the wrappings , staples and straps from the carton. Refer to the hardware and furniture part list for guidance. Make sure that you have all the parts before you start assembling. Place all the wooden furniture parts on a clean, flat and soft surface, such as a carpet or rubbermat to prevent scratches.

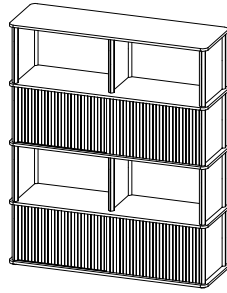
**CAUTION**  
KEEP ALL THE PARTS OUT OF CHILDREN'S REACH.

HARDWARE			
A	LONG POLE		18 PCS
B	LONG POLE	B1  B2 	6 SETS
TIPPING PACK WITH A1    			2 SETS

SELF-PREPARED TOOLS: Tools below are NOT included in package.	
 SCREWDRIVER	 HAMMER

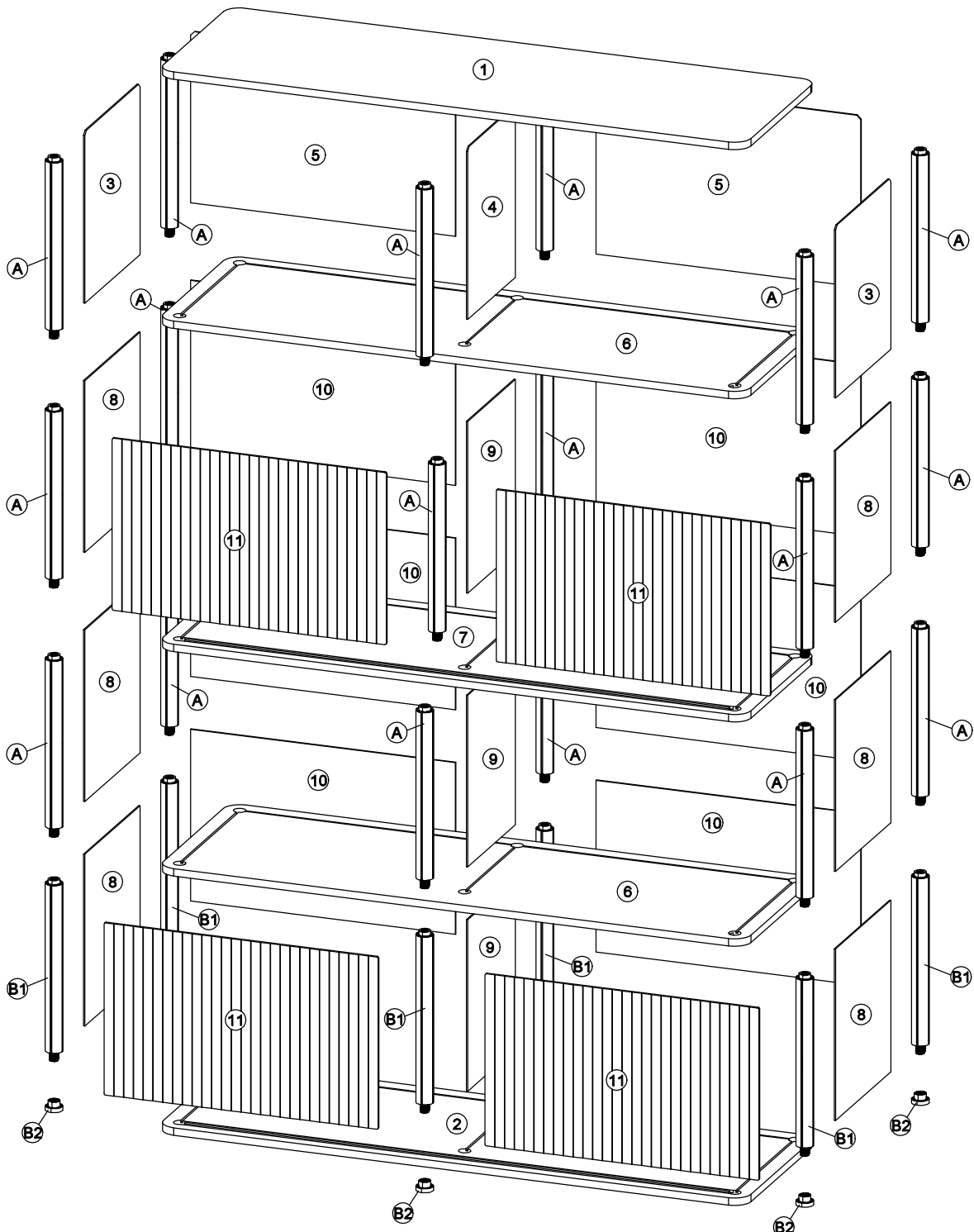
PART LIST		QTY
1	TOP PANEL	1 PC
2	BOTTOM PANEL	1 PC
3	SIDE PANEL - UP	2 PCS
4	CENTER PANEL - UP	1 PC
5	BACK PANEL - UP	2 PCS
6	MIDDLE PANEL	2 PCS
7	MIDDLE PANEL (C)	1 PC
8	SIDE PANEL - DOWN	6 PCS
9	CENTER PANEL - DOWN	3 PCS
10	BACK PANEL - DOWN	6 PCS
11	DOOR PANEL	4 PCS

CODING  
- 524020

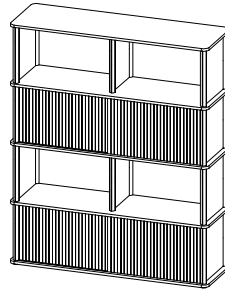


ISO 9001:2015  
Reg. No. 00035-1-017-1-QMS

nuhoom.com



**CODING**  
- 524020

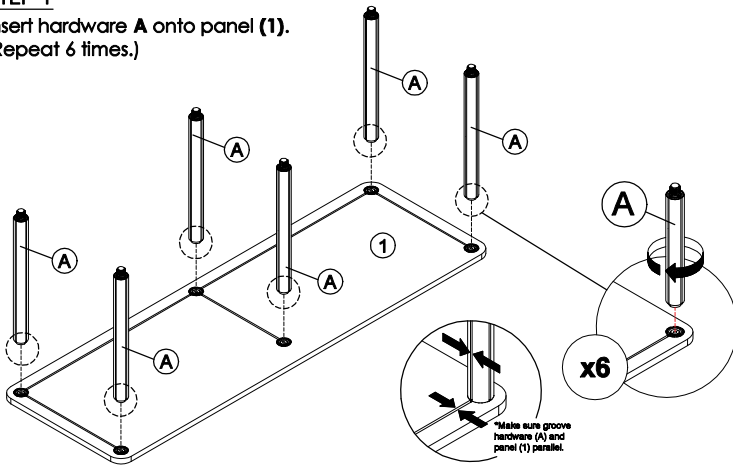


ISO 9001:2015  
Reg. No. 00043-1-MY-1-QMS

**nuhoom.com**

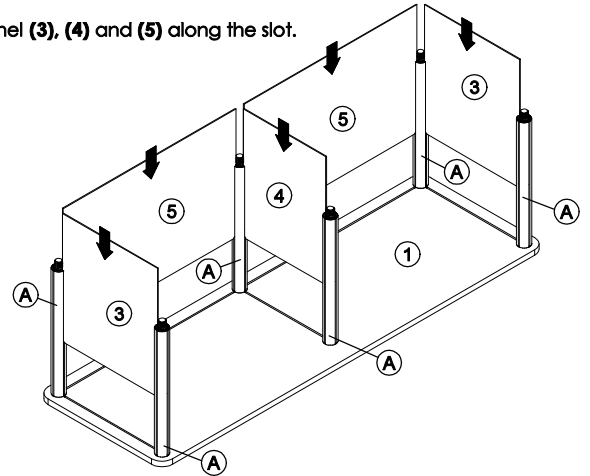
**STEP 1**

Insert hardware **A** onto panel **(1)**.  
(Repeat 6 times.)



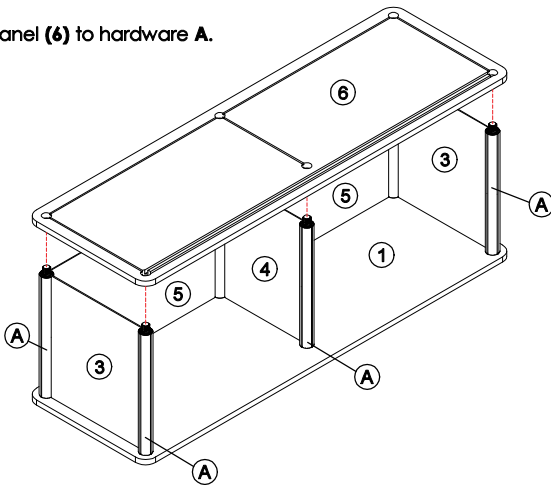
**STEP 2**

Insert the panel **(3)**, **(4)** and **(5)** along the slot.



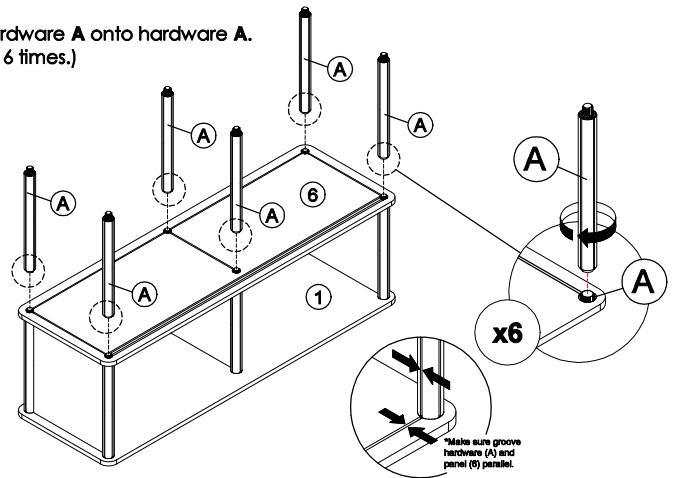
**STEP 3**

Connect panel **(6)** to hardware **A**.



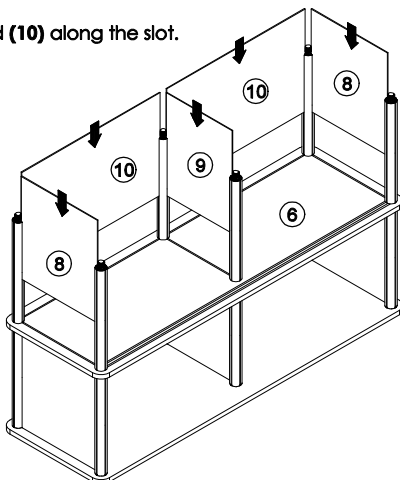
**STEP 4**

Insert hardware **A** onto hardware **A**.  
(Repeat 6 times.)



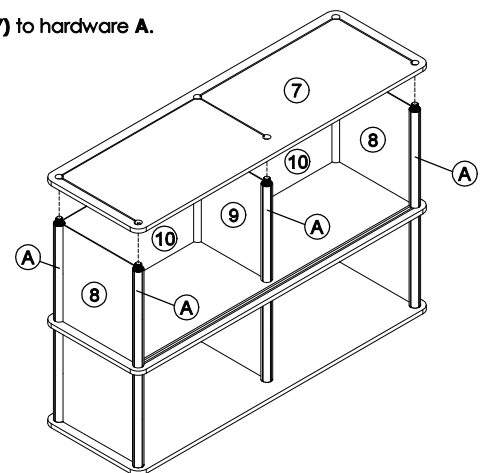
**STEP 5**

Insert the panel **(8)**, **(9)** and **(10)** along the slot.

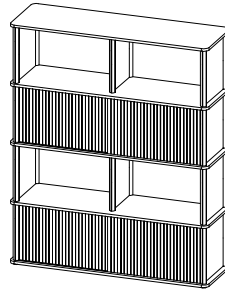


**STEP 6**

Connect panel **(7)** to hardware **A**.



**CODING**  
- 524020

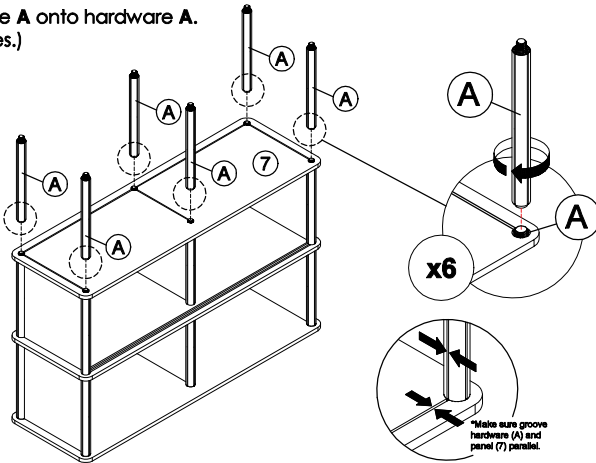


ISO 9001:2015  
Reg. No. 00043-1-017-1-QMS

**nuhoom.com**

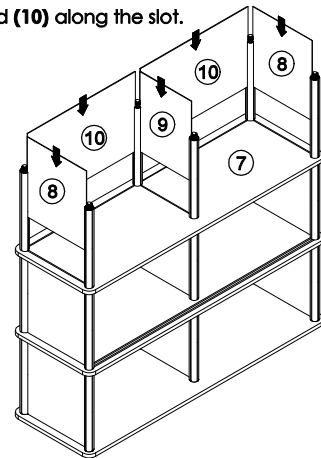
**STEP 7**

Insert hardware **A** onto hardware **A**.  
(Repeat 6 times.)



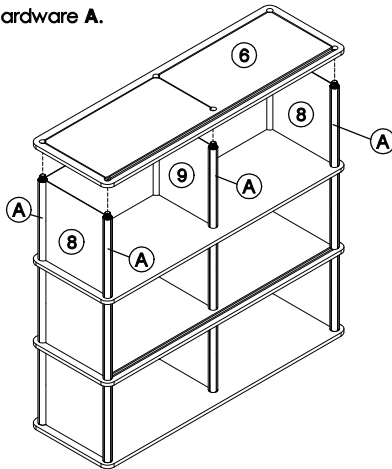
**STEP 8**

Insert the panel **(8)**, **(9)** and **(10)** along the slot.



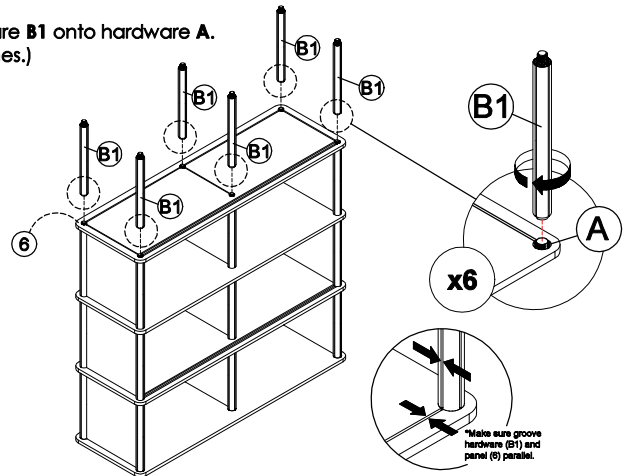
**STEP 9**

Connect panel **(6)** to hardware **A**.



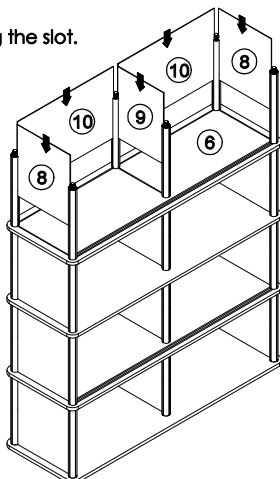
**STEP 10**

Insert hardware **B1** onto hardware **A**.  
(Repeat 6 times.)



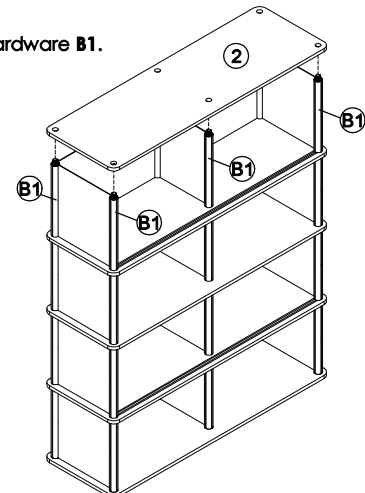
**STEP 11**

Insert the panel **(8)**, **(9)** and **(10)** along the slot.

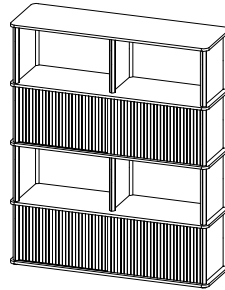


**STEP 12**

Connect panel **(2)** to hardware **B1**.



CODING  
- 524020

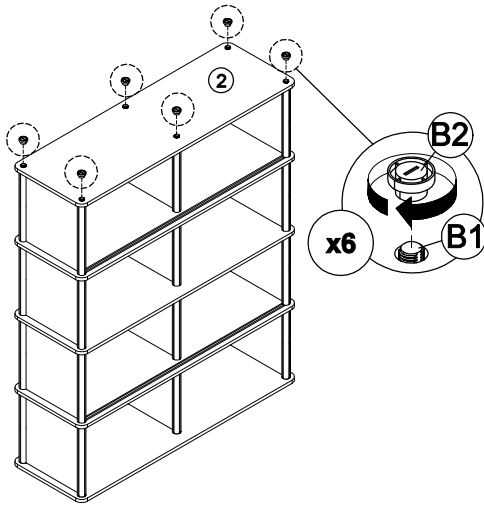


ISO 9001:2015  
Reg. No. 00043-1-INT-1-QMS

nuhoom.com

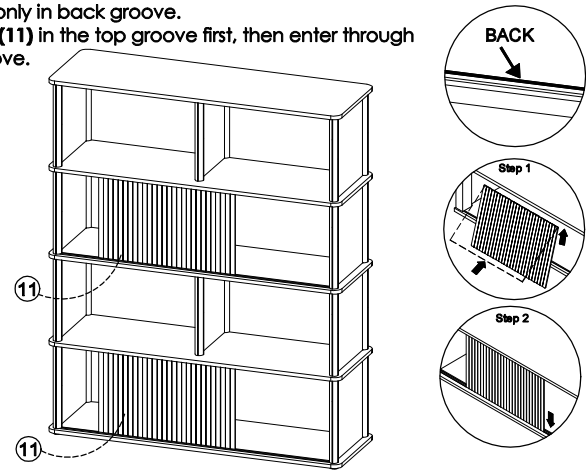
### STEP 13

Connect hardware **B2** to hardware **B1**.  
(Repeat 6 times.)



### STEP 14

- Insert one door only in back groove.  
- Insert the panel **(11)** in the top groove first, then enter through the bottom groove.



### STEP 15

- Insert one door in front groove.  
- Insert the panel **(11)** in the top groove first, then enter through the bottom groove.

