

CODING

-523014
-523015
-523016






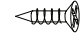

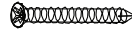
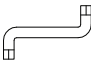
ISO 9001:2015
Reg. No. 000435-1-MY-1-QMS

nesthouz.com

Read the instruction carefully. Remove all the wrapping material. Staples and straps from the carton. Refer to the hardware and furniture part list for guidance. Be sure that you have all the parts before you start assembling. Place all the wooden furniture part on a clean and flat soft surface, such as carpet or rubbermat to prevent from scratches

CAUTION KEEP ALL THE PARTS OUT REACH OF CHILDREN

ITEM	HARDWARE LIST	QTY
①	 MINIFIX	24
②	 CAM 15/12	24
③	 DOWEL 8 X 30MM	18
④	 UNITAR SCREW	12
⑤	 BACKPLY STOPPER	16
⑥	 CSK SCREW 3.1 X 20	16

ITEM	HARDWARE LIST	QTY
⑦	 SAFETY STRAP	1
⑧	 CSK SCREW 3.5 X 15	1
⑨	 JCBC SCREW	8
⑩	 CSK SCREW 4 X 32	10
⑪	 M4 ALLEN KEY	1

CODING

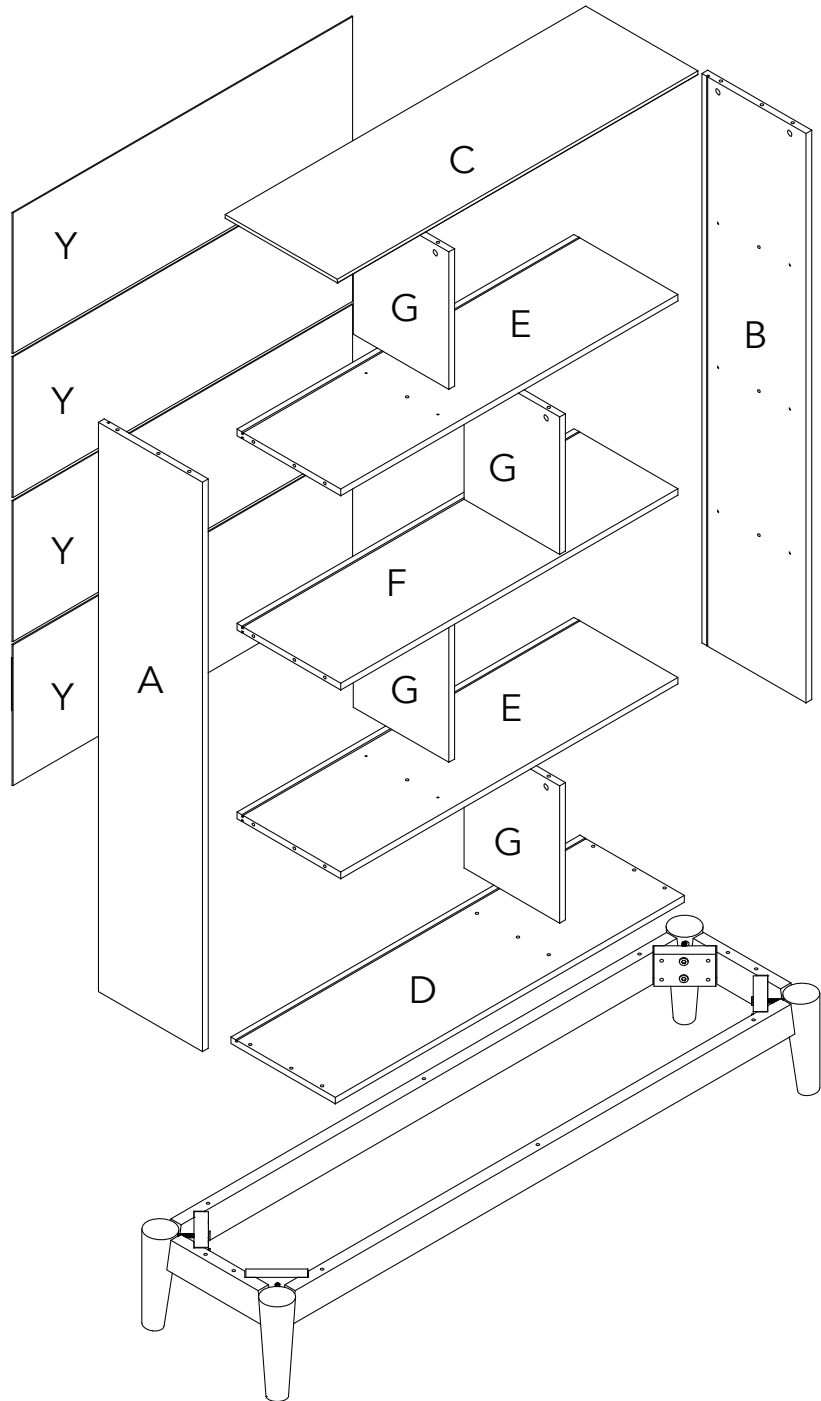
- 523014
- 523015
- 523016



ISO 9001:2015
Reg. No. 000435-1-MY-1-QMS

nesthouz.com

ITEM	PART LIST	QTY
(A)	Side Panel	1
(B)	Side Panel	1
(C)	Top Panel	1
(D)	Bottom Panel	1
(E)	Rack Panel	2
(F)	Rack Centre Panel	1
(G)	Mid Panel	4
(Y)	Back Panel	4



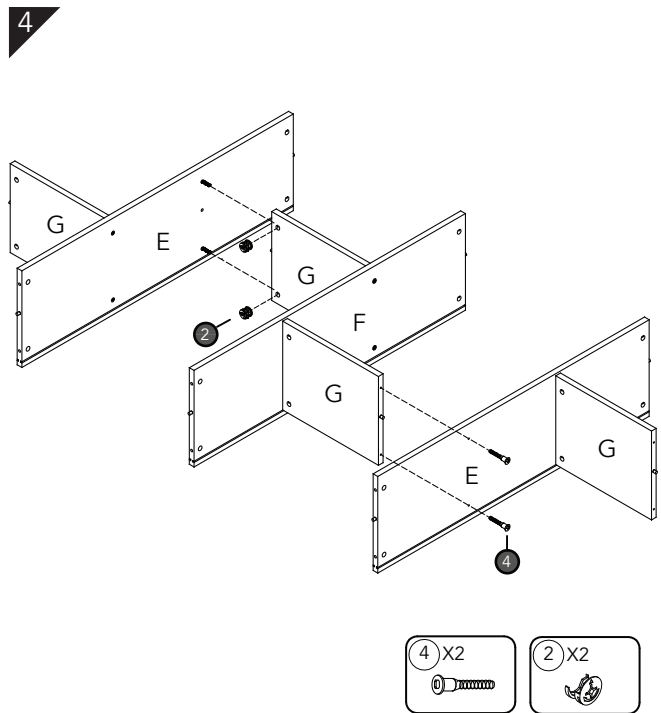
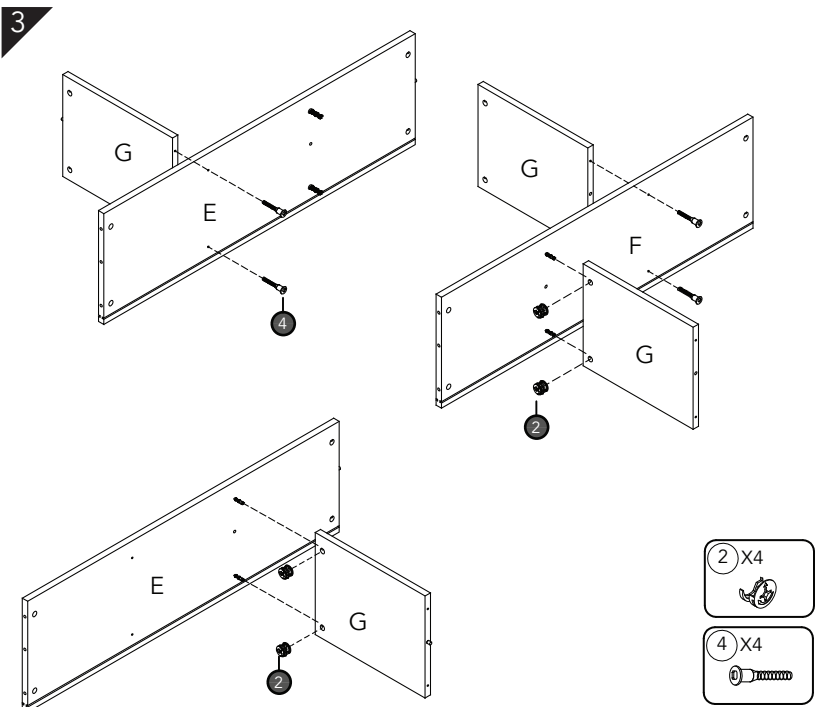
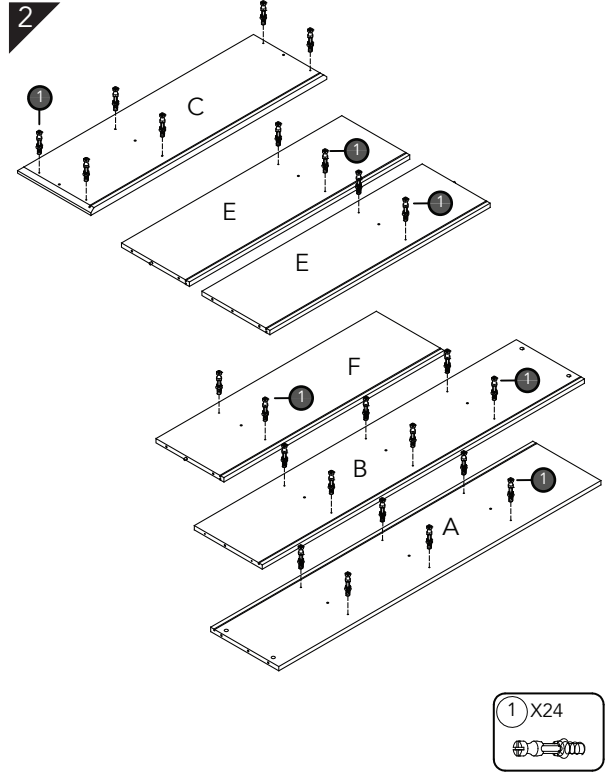
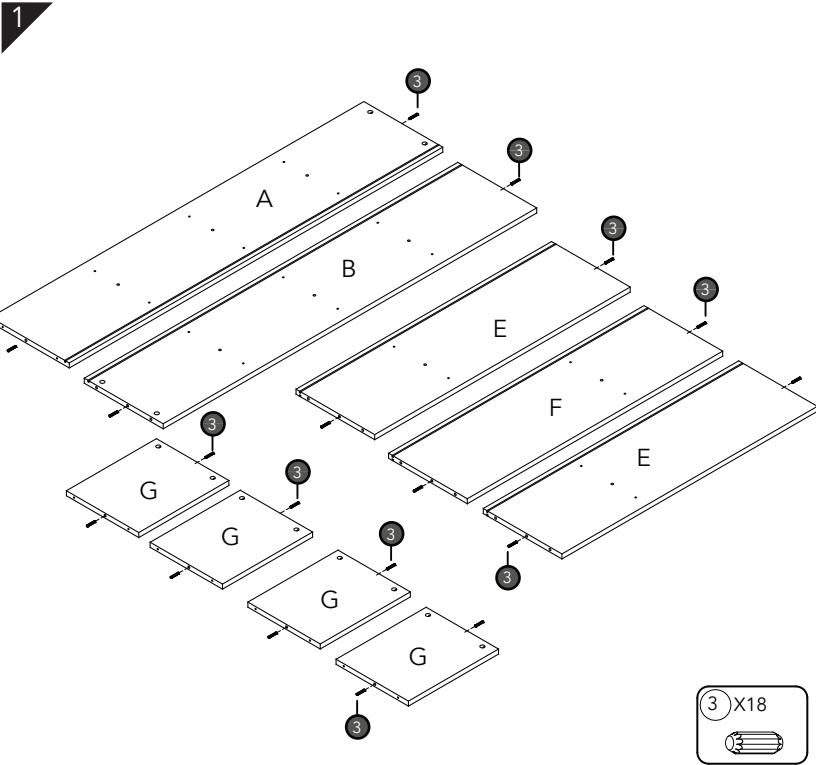
CODING

- 523014
- 523015
- 523016



ISO 9001:2015
Reg. No. 000435-1-MY-1-QMS

nesthouz.com



CODING

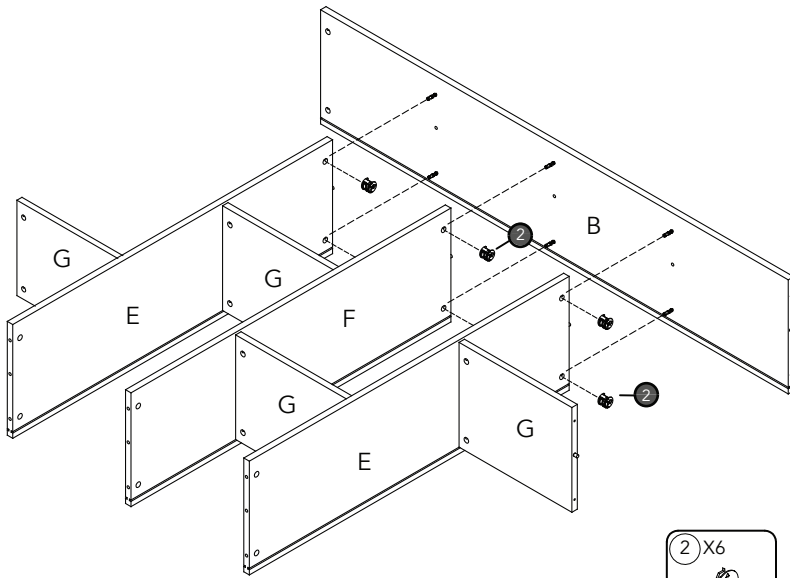
- 523014
- 523015
- 523016



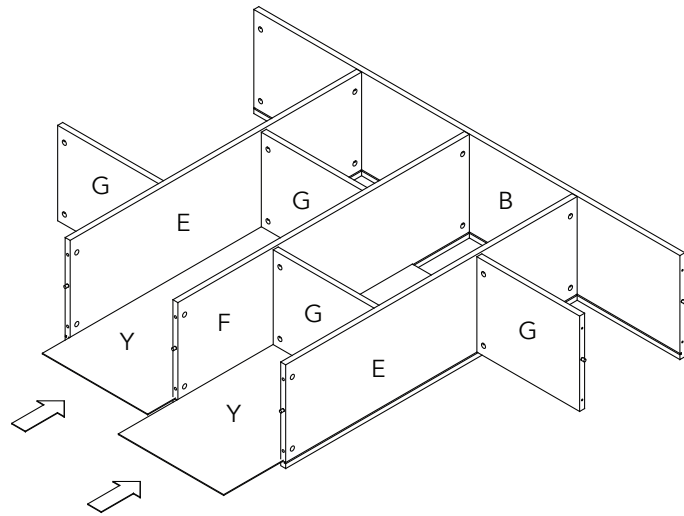
ISO 9001:2015
Reg. No. 000435-1-MY-1-QMS

nesthouz.com

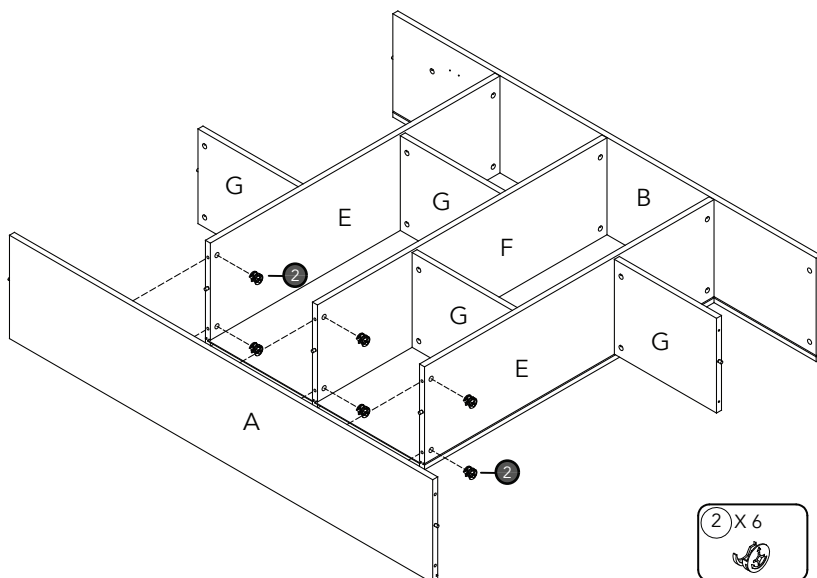
5



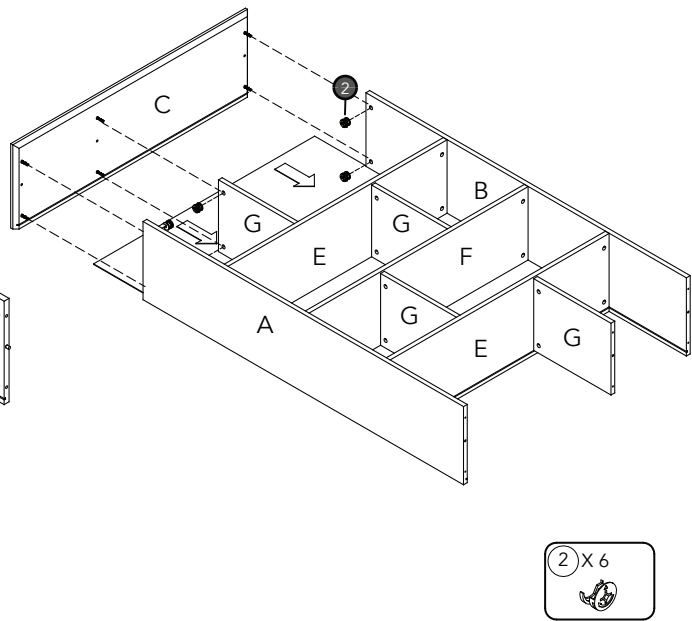
6



7



8



CODING

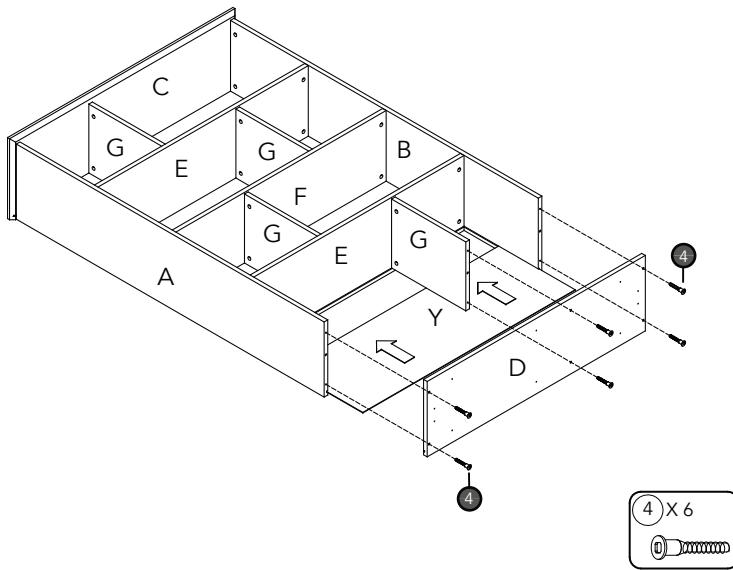
- 523014
- 523015
- 523016



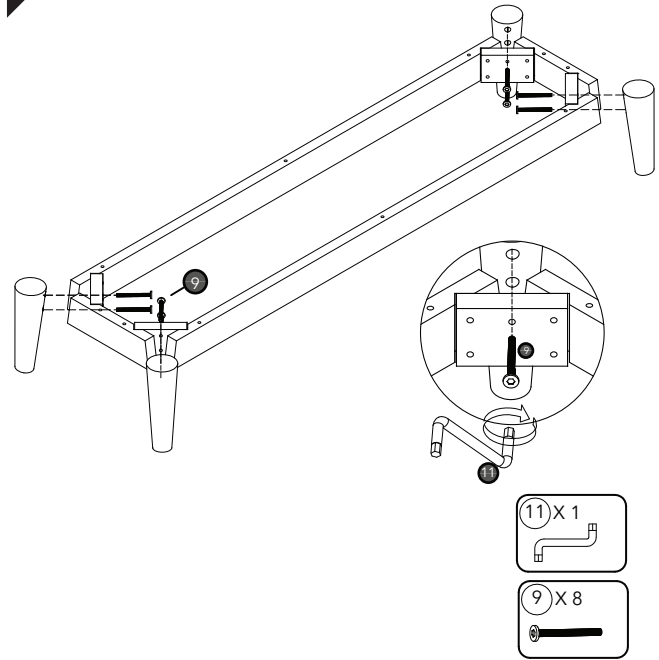
ISO 9001:2015
Reg. No. 000435-1-MY-1-QMS

nesthouz.com

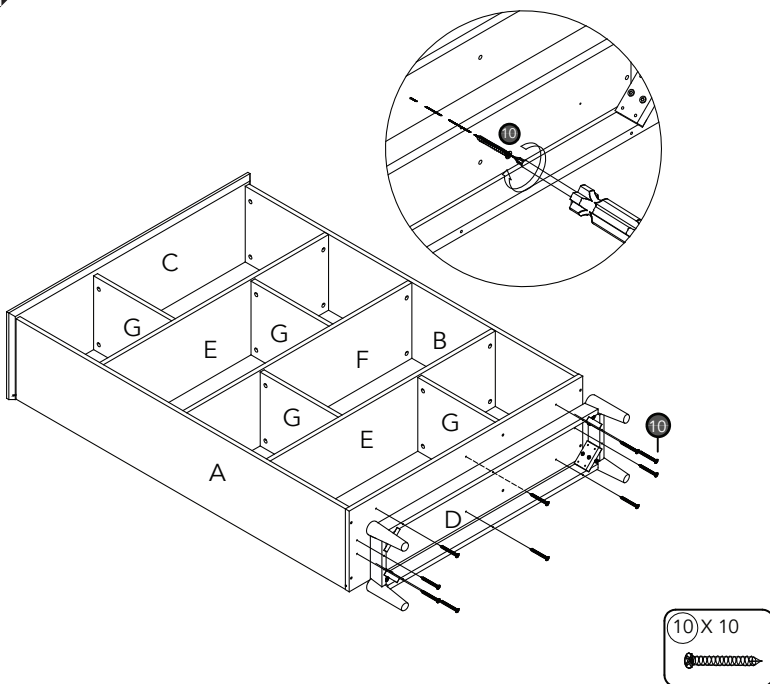
9



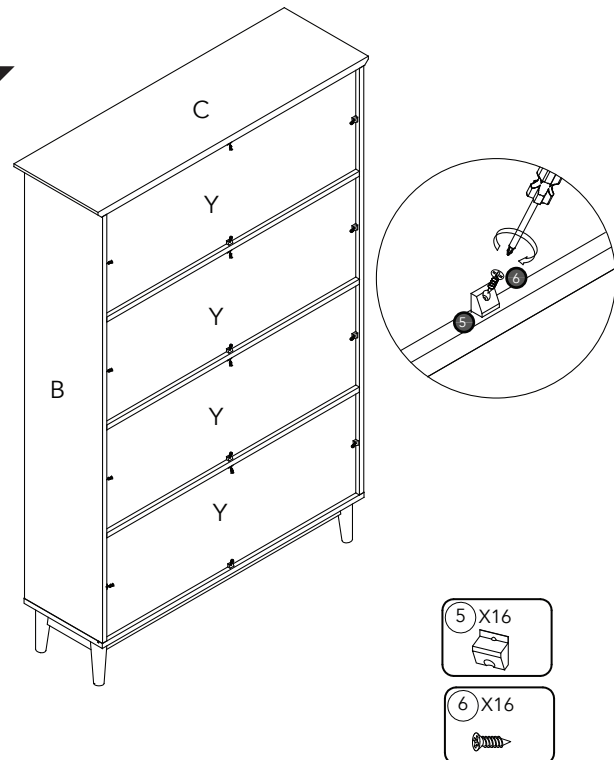
10



11



12



CODING

-523014
-523015
-523016

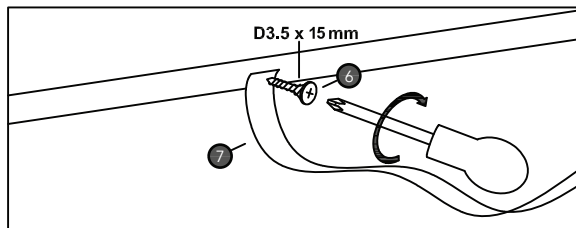


ISO 9001:2015
Reg. No. 000435-1-MY-1-QMS

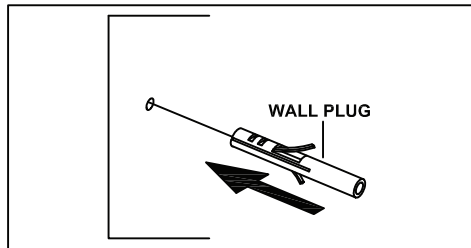
nesthouz.com

FITTING OF ANTI-TIP SAFETY STRAP

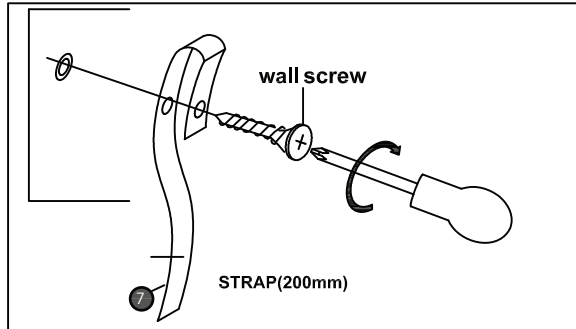
STEP 1:
Push the screw and
make hole on top
panel of your
furniture



STEP 2:
Make a hole on
the wall and pull
the wall plug in



STEP 3:
Pull the screw in
the wall plug hole



NOTE : Wall fixing are not supplied with this product as different wall materials require different types of fixing devices (such as Rawl plugs on brick work). You must use fixing devices suitable for the type of wall you intend to mount this product to. Please ensure that the head of any screw used has a diameter greater than the diameter of the mounting hole on the product and that the fixing is safe and secure before use.

The straps and screws which to fix the strap on to the furniture are provided only.

HARDWARE LIST



STRAP(200mm)-1Pc

