

CODING
- 522053



ISO 9001:2015
Reg. No. 000435-1-MY-1-QMS

nesthouz.com

Read the instructions carefully. Remove all the wrappings, staples and straps from the carton. Refer to the hardware and furniture part list for guidance. Make sure that you have all the parts before you start assembling. Place all the wooden furniture parts on a clean, flat and soft surface, such as a carpet or rubbermat to prevent scratches.

CAUTION
KEEP ALL THE PARTS OUT OF CHILDREN'S REACH.

ITEM	PHOTO	HARDWARE NAME	QTY
①		Minifix Bolt	12
②		Cam 12/15	10
③		Cam 9/15	2
④		Hinges 7/8" (Slow Closed)	4
⑤		Wood Dowel 6 x 30	16
⑥		Csk Screw 3.5 x 15	49
⑦		Csk Screw 4.7 x 38	4
⑧		Unitar Screw 6.3 x 40	6
⑨		Euro Screw 6 x 9	4
⑩		Drawer Slide 300mm	1 Set
⑪		Solidwood Leg (150)	4

ITEM	PHOTO	HARDWARE NAME	QTY
⑫		Metal Braket 1.5 x 82 x 82	4
⑬		Shelf Stopper	16
⑭		Aluminium Handle	4
⑮		Backply Stopper	10
⑯		Csk Screw 3.1 x 20	10
⑰		L-Mounting Bracket	1
⑱		Csk Screw 4 x 38	1
⑲		Wall Plug	1
⑳		Allen Key M4	1

CODING
- 522053

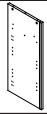
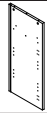
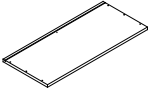
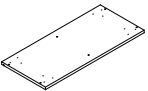
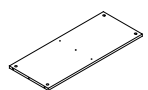
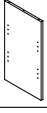
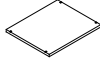




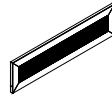
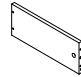
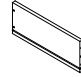
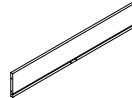

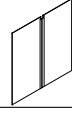
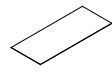
ISO 9001:2015
Reg. No. 000435-1-MY-1-QMS

nesthouz.com

Read the instructions carefully. Remove all the wrappings, staples and straps from the carton. Refer to the hardware and furniture part list for guidance. Make sure that you have all the parts before you start assembling. Place all the wooden furniture parts on a clean, flat and soft surface, such as a carpet or rubbermat to prevent scratches.

CAUTION
KEEP ALL THE PARTS OUT OF CHILDREN'S REACH.

ITEM	PHOTO	PARTS NAME	QTY
(A)		Side Panel Left	1
(B)		Side Panel Right	1
(C)		Top Panel	1
(D)		Bottom Panel	1
(E)		Center Top Panel	1
(F)		Center Panel	1
(G)		Shelf Panel	4
(H)		Door Panel	1
(I)		Door Panel	1

ITEM	PHOTO	PARTS NAME	QTY
(J)		Drawer Front Panel	1
(K)		Drawer Side Left Panel	1
(L)		Drawer Side Right Panel	1
(M)		Drawer Back Panel	1
(N)		Drawer Support Panel	1
(Y)		Backply Panel	1
(Z)		Drawer Bottom Panel	1

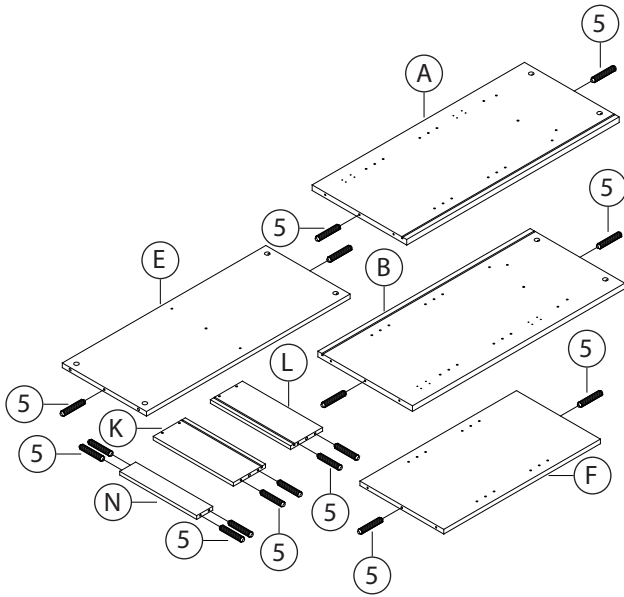
CODING
- 522053



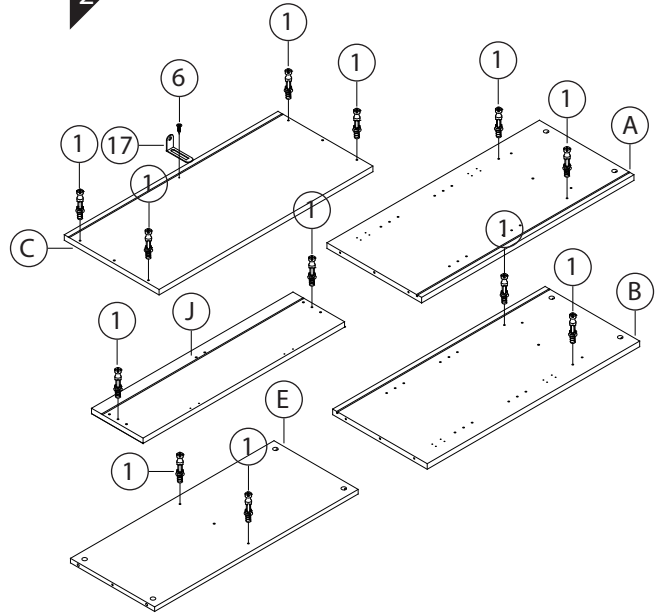
ISO 9001:2015
Reg. No. 000435-1-MY-1-QMS

nesthouz.com

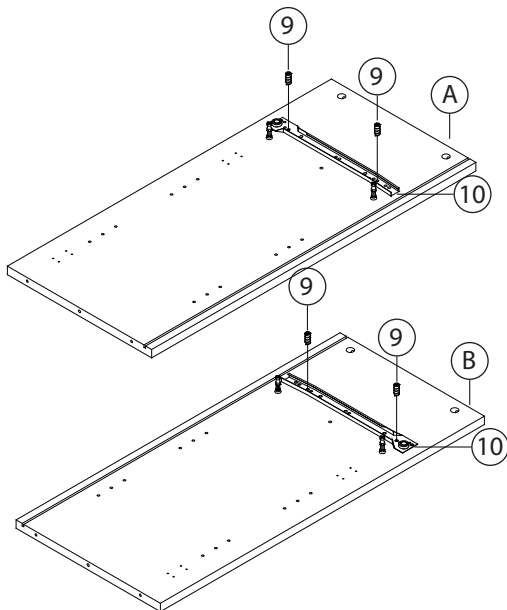
1



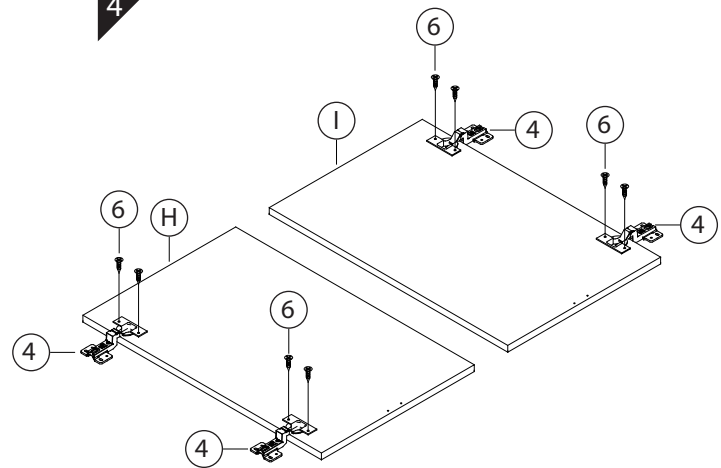
2



3



4



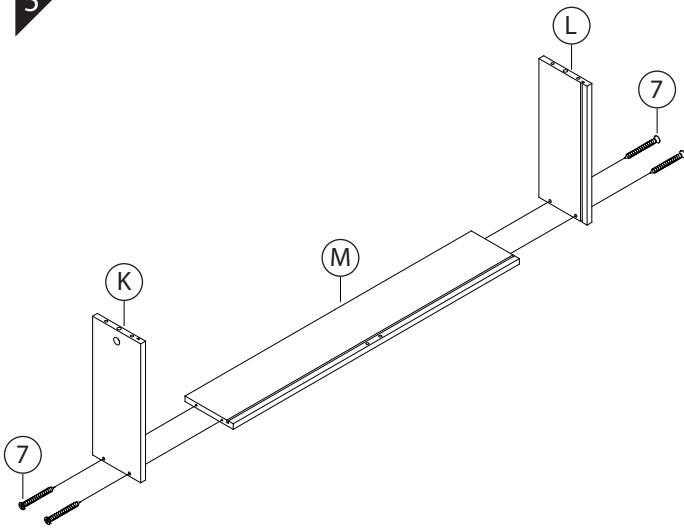
CODING
- 522053



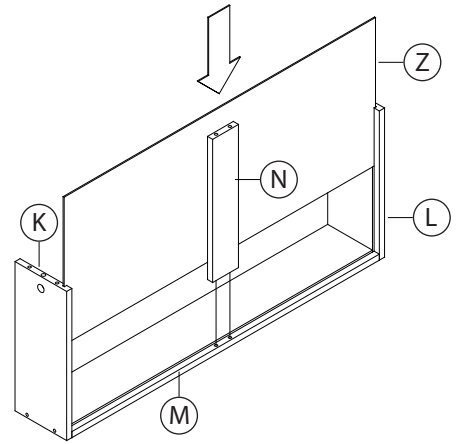
ISO 9001:2015
Reg. No. 000435-1-MY-1-QMS

nesthouz.com

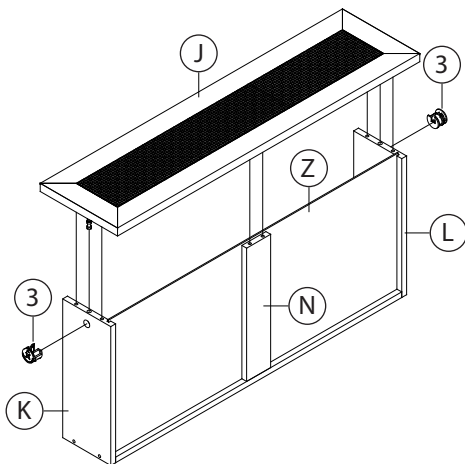
5



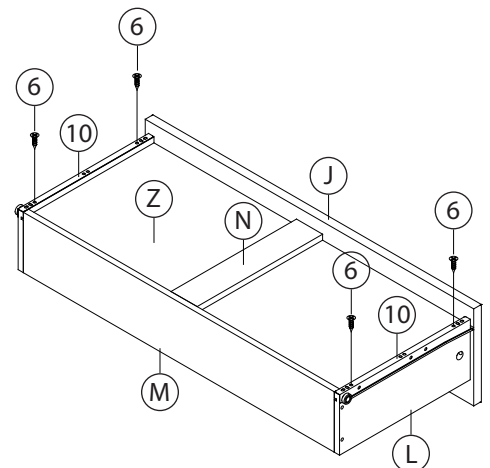
6



7



8



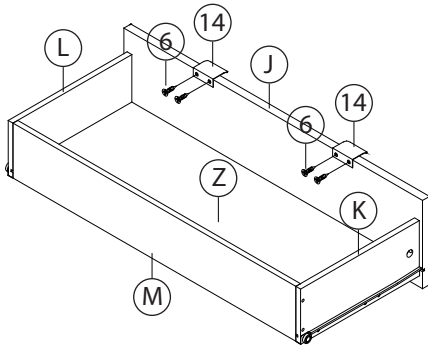
CODING
- 522053



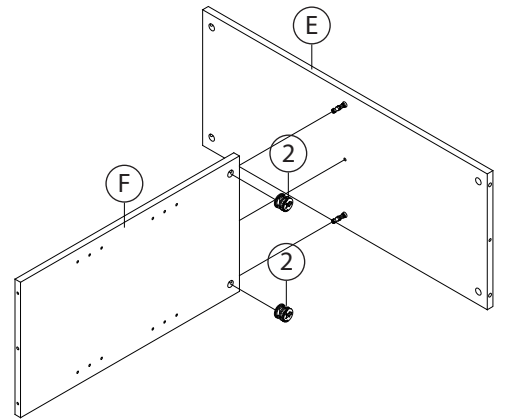
ISO 9001:2015
Reg. No. 000435-1-MY-1-QMS

nesthouz.com

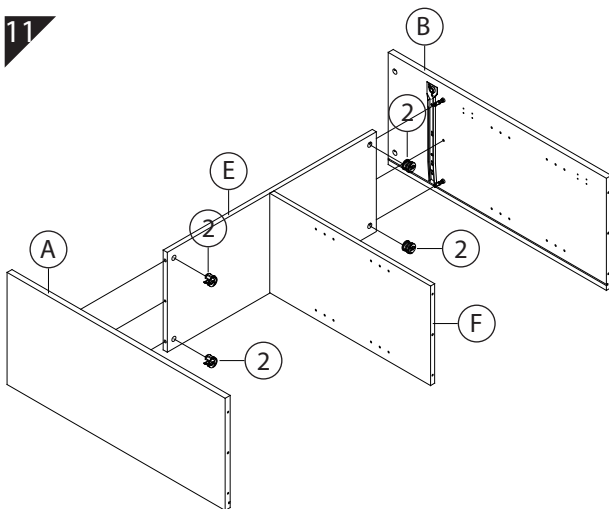
9



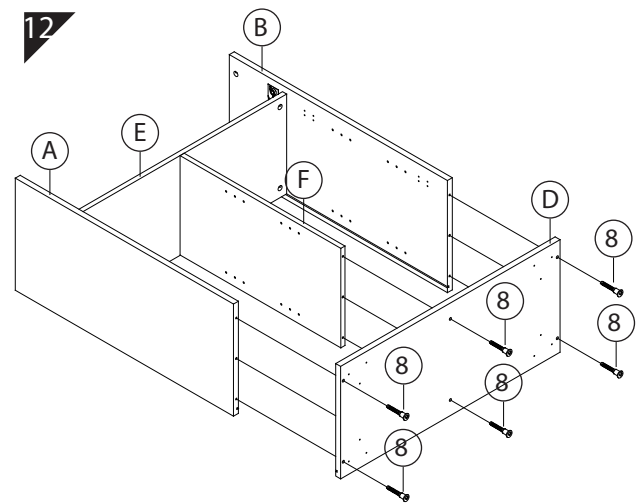
10



11



12



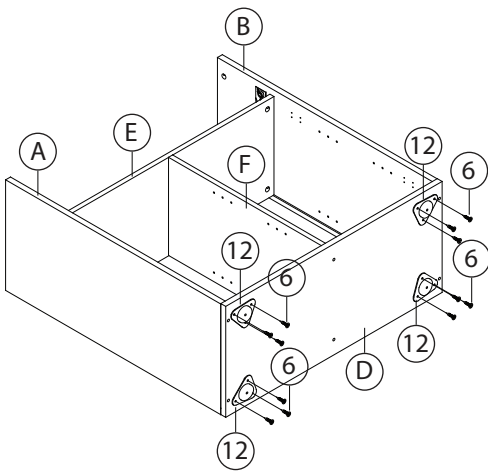
CODING
- 522053



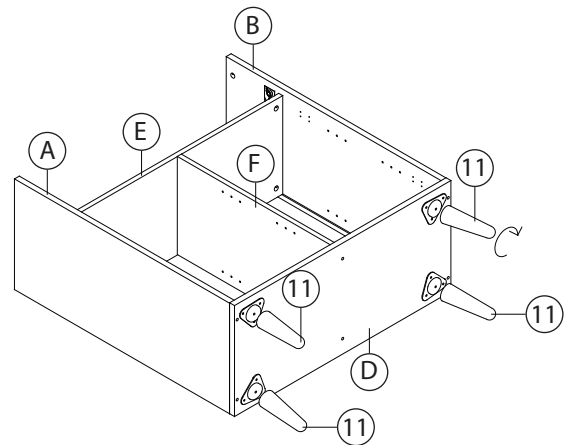
ISO 9001:2015
Reg. No. 000435-1-MY-1-QMS

nesthouz.com

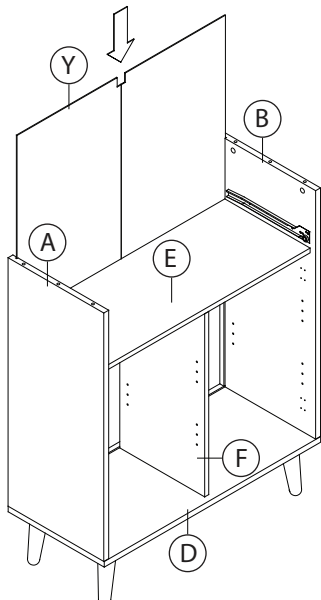
13



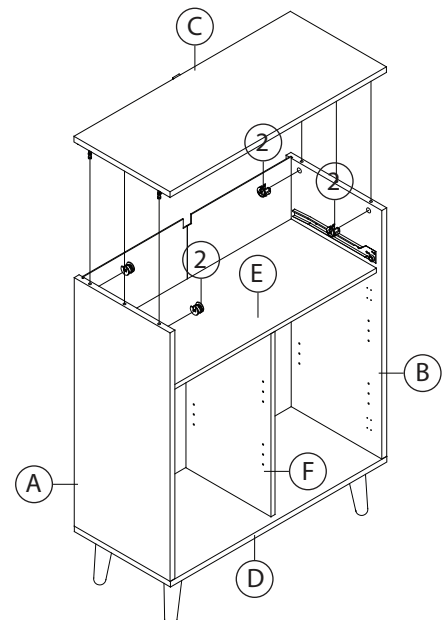
14



15



16



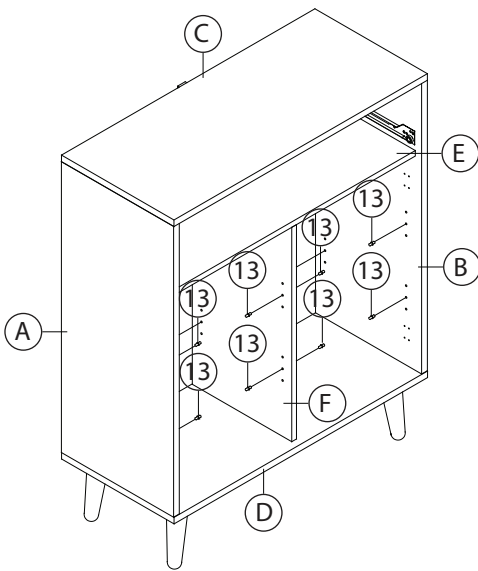
CODING
- 522053



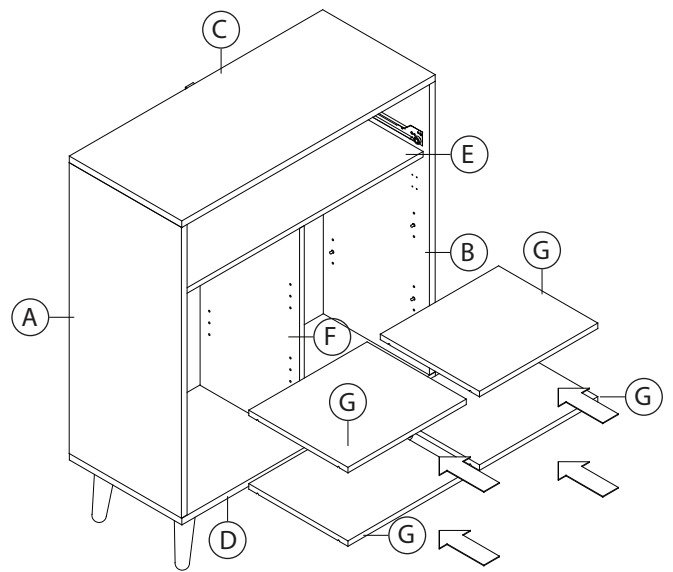
ISO 9001:2015
Reg. No. 000435-1-MY-1-QMS

nesthouz.com

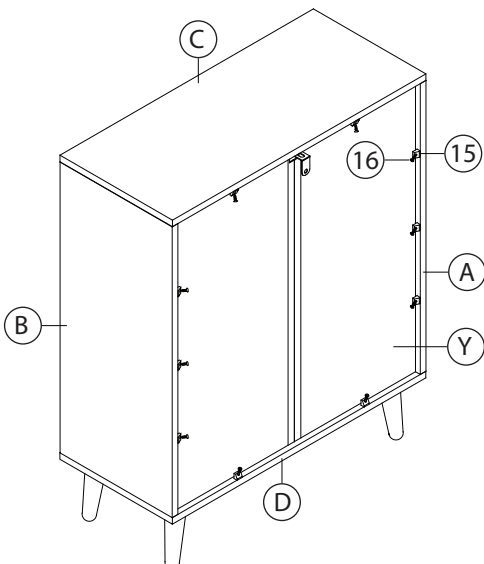
17



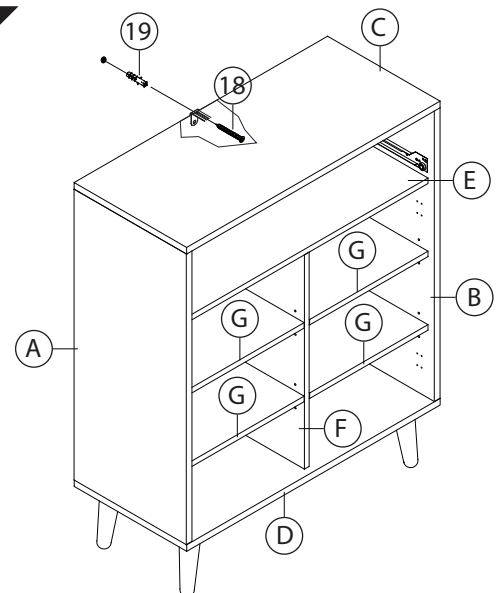
18



19



20



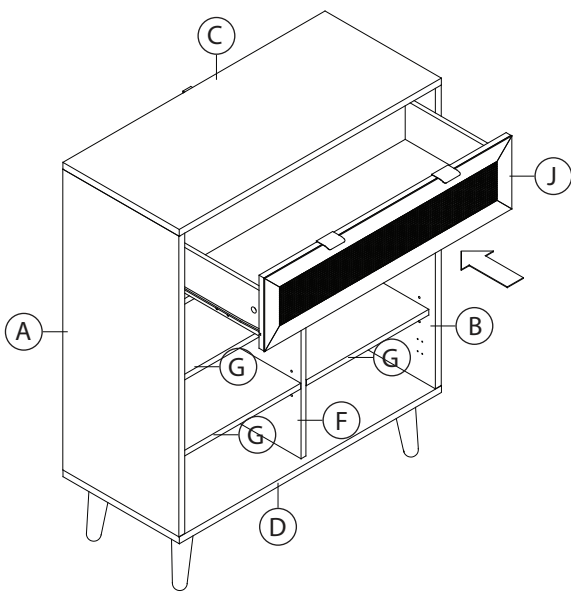
CODING
- 522053



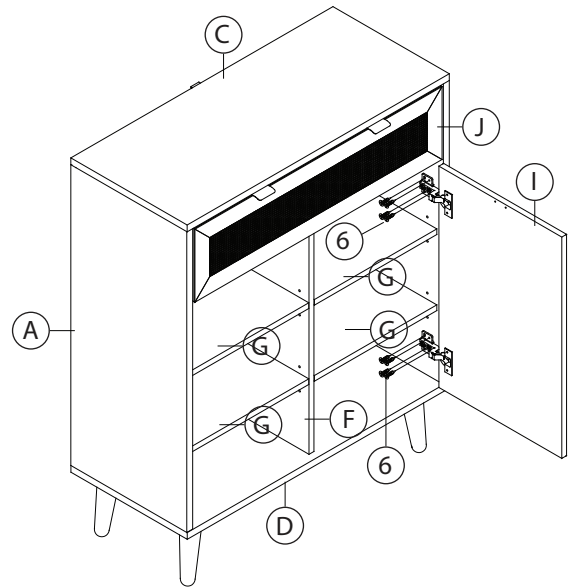
ISO 9001:2015
Reg. No. 000435-1-MY-1-QMS

nesthouz.com

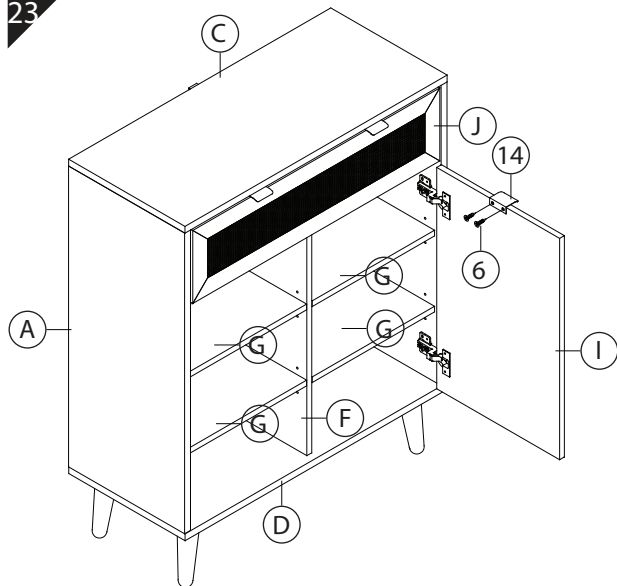
21



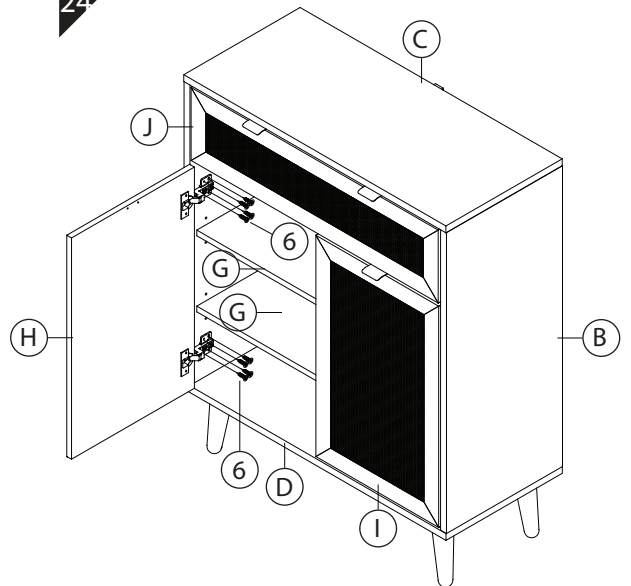
22



23



24



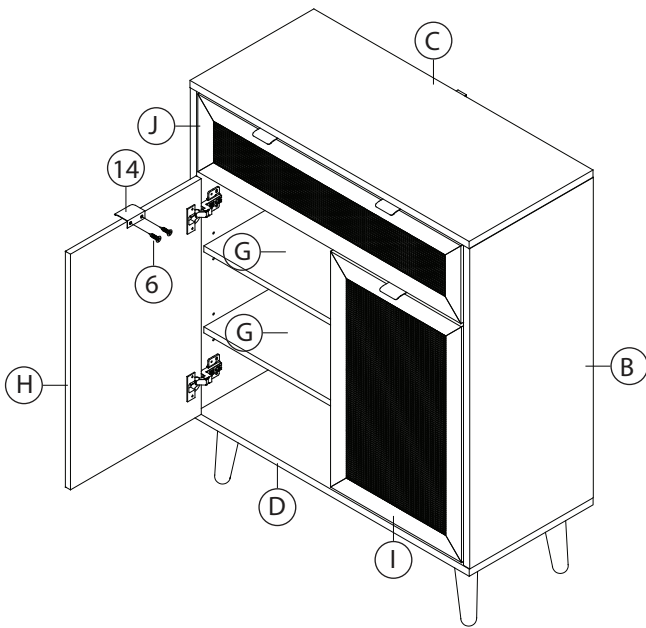
CODING
- 522053



ISO 9001:2015
Reg. No. 000435-1-MY-1-QMS

nesthouz.com

25



26

