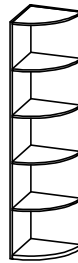


**CODING**  
- 511064

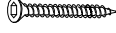





ISO 9001:2015  
Reg. No. 08945-1-07-1-QMS



**nuhoom.com**

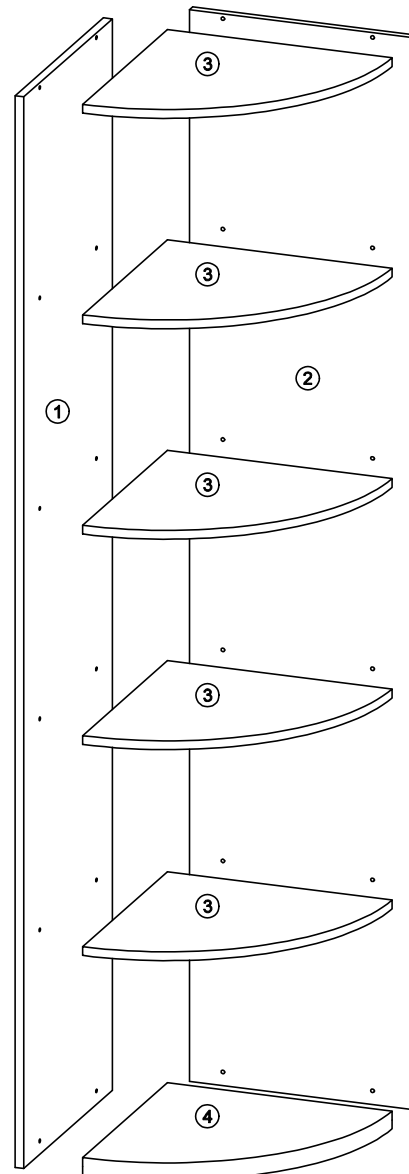
Read the instructions carefully. Remove all the wrappings , staples and straps from the carton. Refer to the hardware and furniture part list for guidance. Make sure that you have all the parts before you start assembling. Place all the wooden furniture parts on a clean, flat and soft surface, such as a carpet or rubbermat to prevent scratches.

**CAUTION**  
KEEP ALL THE PARTS OUT OF CHILDREN'S REACH.

HARDWARE			
A	M6 X 50MM CSK CAP WOOD SCREW		24 PCS
B	M6 X 23MM BASE GLIDE		4 PCS
C	ALLEN KEY M4		1 PC
	TIPPING PACK WITH AI		2 SETS

PART LIST		QTY
1	SIDE PANEL (L)	1 PC
2	SIDE PANEL (R)	1 PC
3	MIDDLE PANEL-1	5 PCS
4	BOTTOM PANEL	1 PC

SELF-PREPARED TOOLS: Tools below are NOT included in package.	
 SCREWDRIVER	 HAMMER



**CODING**  
- 511064



ISO 9001:2015  
Reg. No. 08945-1-3-ET-1-Q-03

nuhoom.com

**STEP 13**

- Connect panel (2) to panel (3) and (4) by using hardware A and C.  
(Repeat 12 times.)



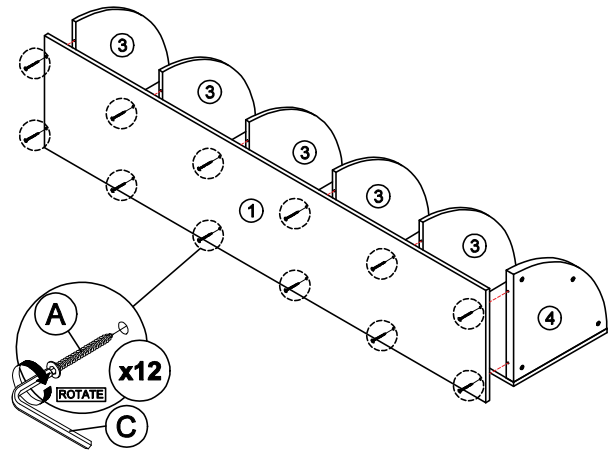
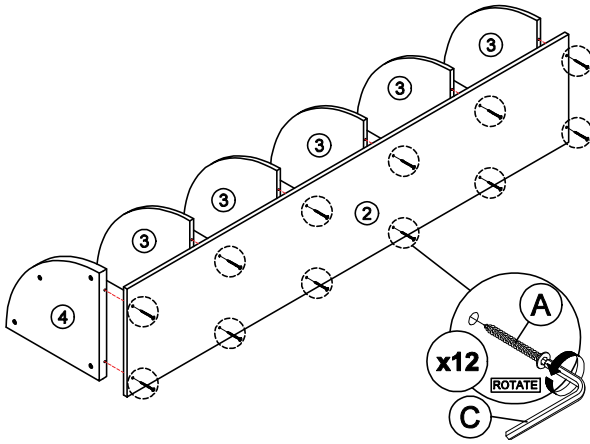
HARDWARE D

**STEP 14**

- Connect panel (1) to panel (3) and (4) by using hardware A and C.  
(Repeat 12 times.)



HARDWARE D



**STEP 15**

- Assemble hardware B onto panel (2)  
(Repeat 4 times.)



SCREWDRIVER REQUIRED

