

PLEASE FOLLOW
THOSE NUMBERS AS
STATED BELOW FOR
EASY ASSEMBLE.

EXAMPLE : STEP ASM. HARDWARE PART

1

A

12

MODEL SIZE : H670 x W1120 x D300

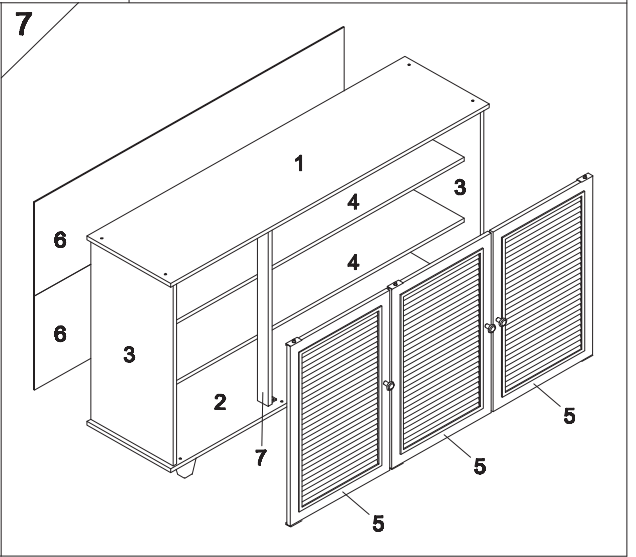
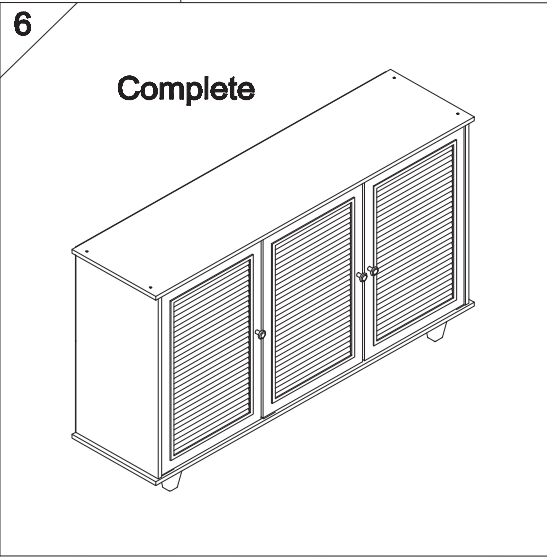
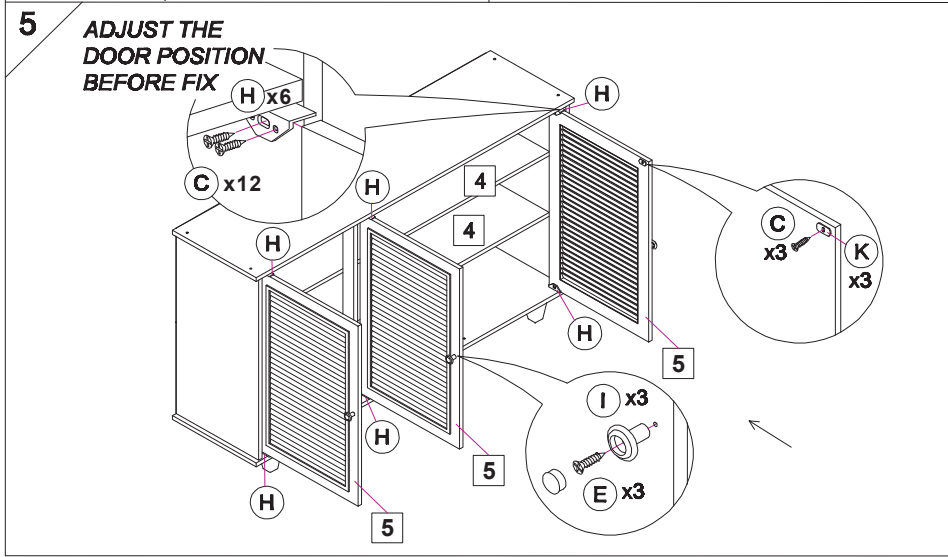
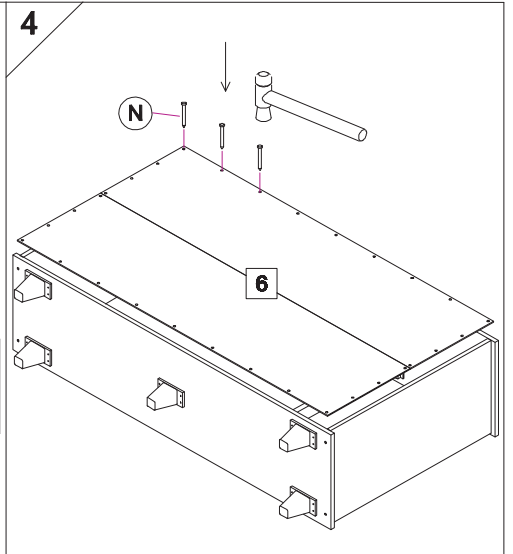
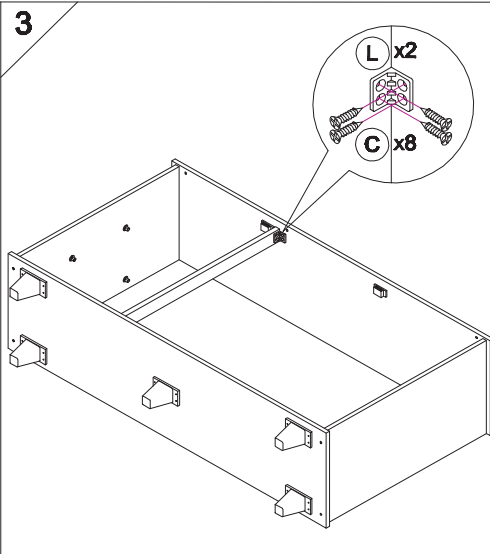
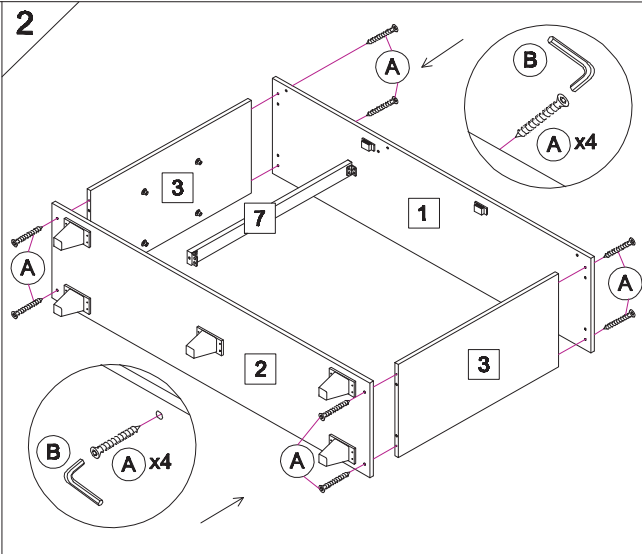
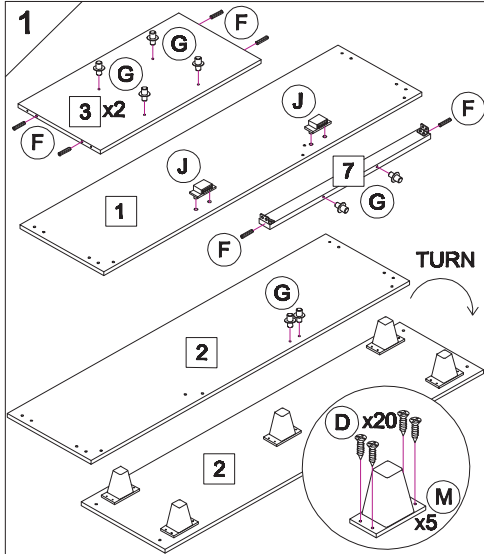
MODEL : 373019
373020

HARDWARE

A JCBC 40mm x8	B x1	C 12mm x19	D 16mm x20	E 25mm x3	F 25mm x10	G x12
H x6	I x3	J x2	K x3	L x2	M x5	N x40

PART

1 x1	2 x1	3 x2
4 x2	5 x3	6 x1 set
7 x1		



PLEASE FOLLOW
THOSE NUMBERS AS
STATED BELOW FOR
EASY ASSEMBLE.

EXAMPLE : STEP ASM. HARDWARE PART

1

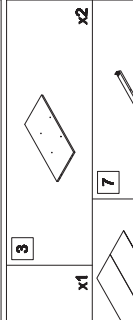
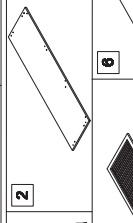
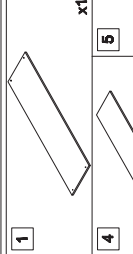
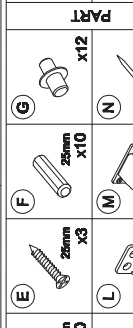
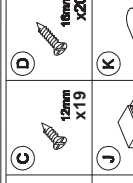
A

12

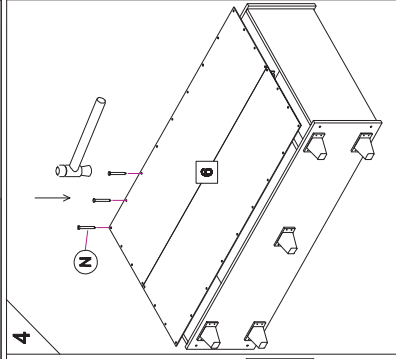
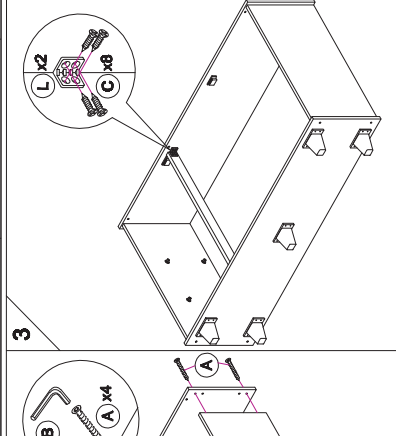
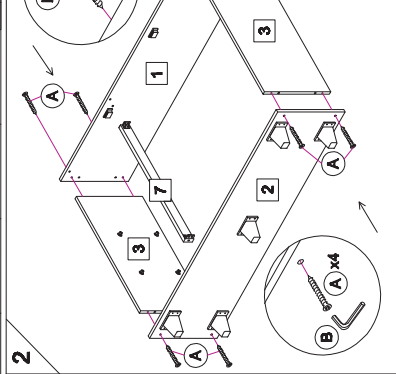
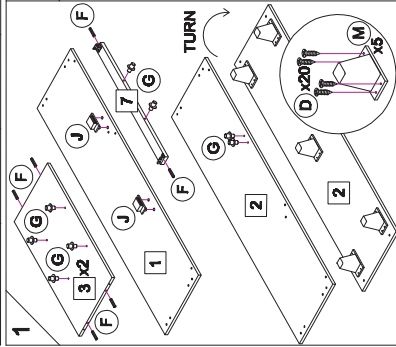
MODEL SIZE : H670 x W1120 x D300

MODEL : SU-3

HARDWARE

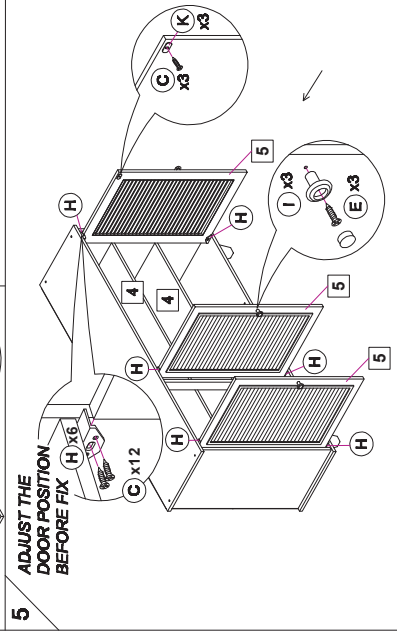


1

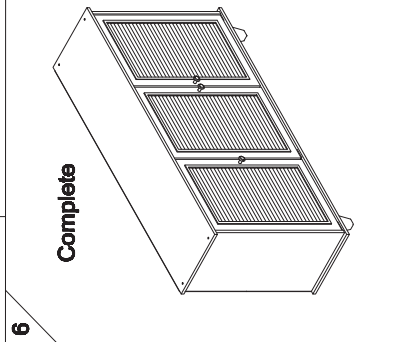


5

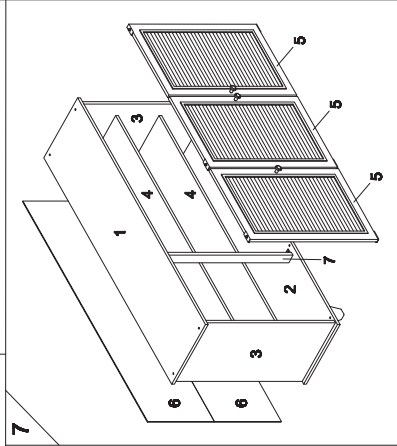
ADJUST THE
DOOR POSITION
BEFORE FIX



6



7



PLEASE FOLLOW
THOSE NUMBERS AS
STATED BELOW FOR
EASY ASSEMBLE.

EXAMPLE : STEP ASM. HARDWARE PART

1

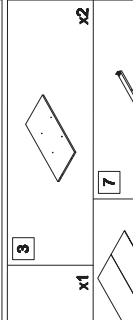
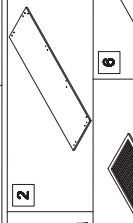
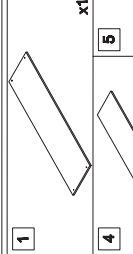
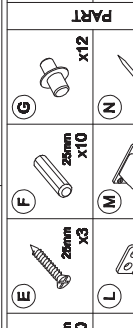
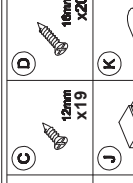
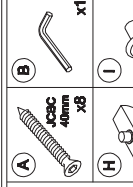
A

12

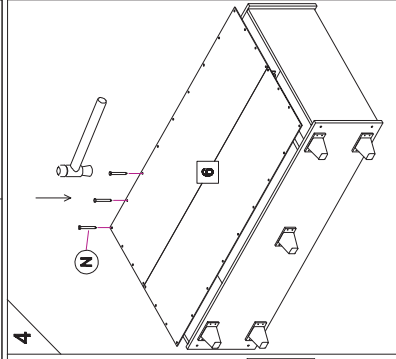
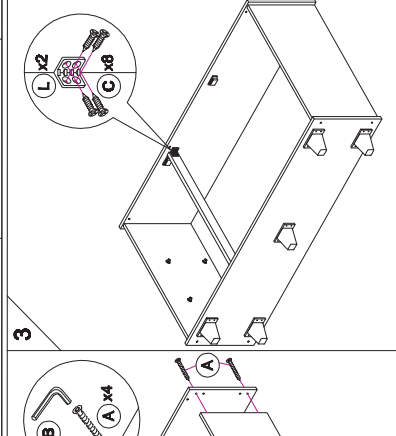
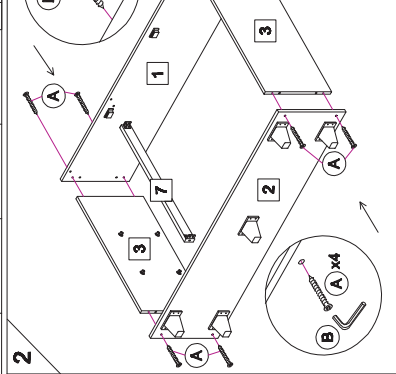
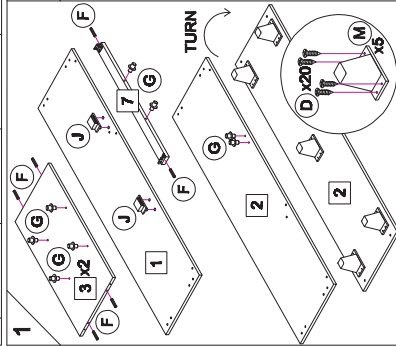
MODEL SIZE : H670 x W1120 x D300

MODEL : SU-3

HARDWARE

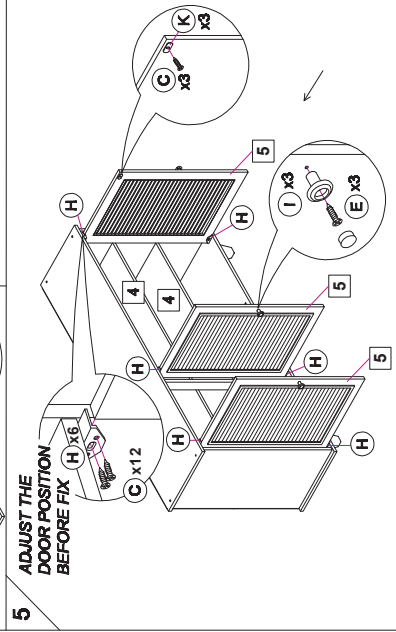


1

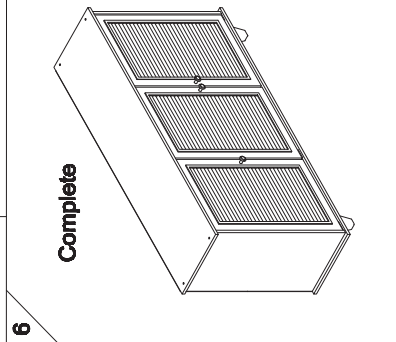


5

ADJUST THE
DOOR POSITION
BEFORE FIX



6



7

