

PLEASE FOLLOW
THOSE NUMBERS AS
STATED BELOW FOR
EASY ASSEMBLE.

EXAMPLE : STEP ASM. HARDWARE PART

1

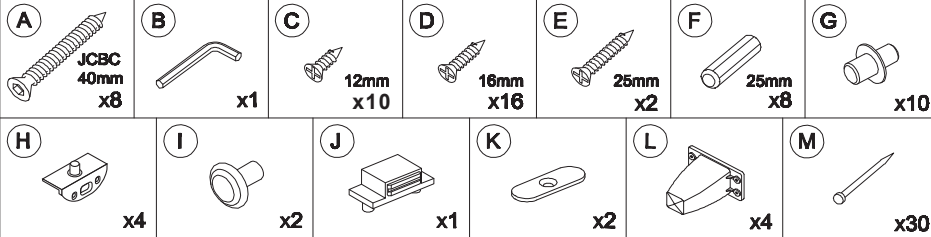
A

12

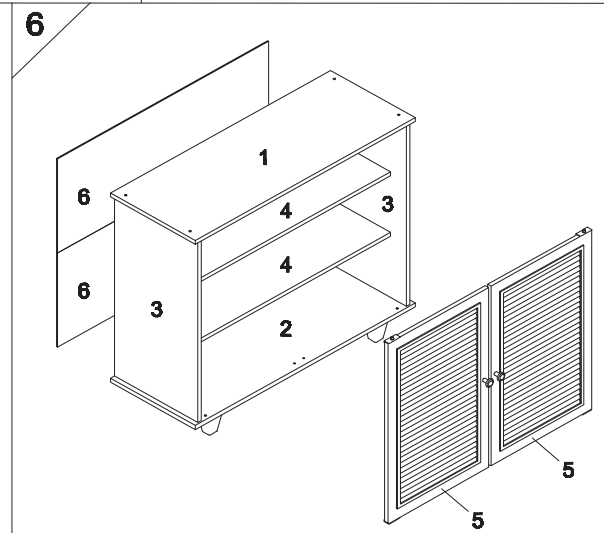
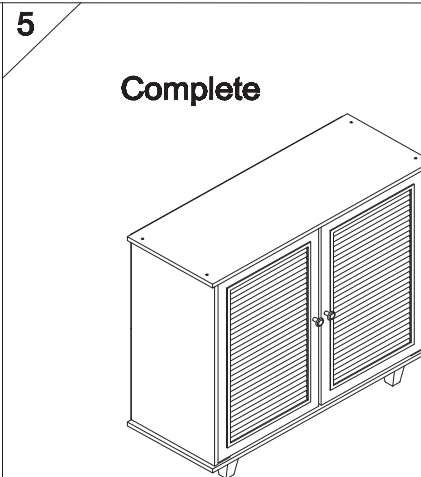
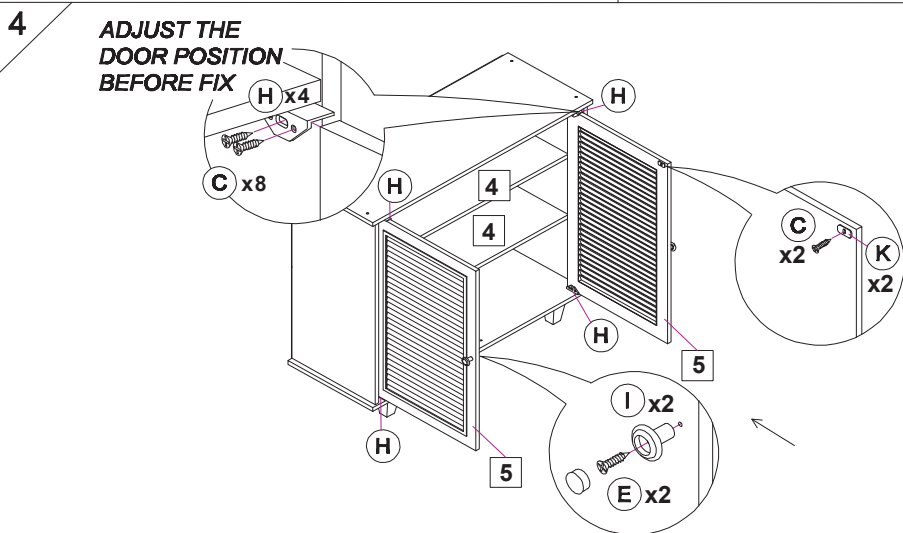
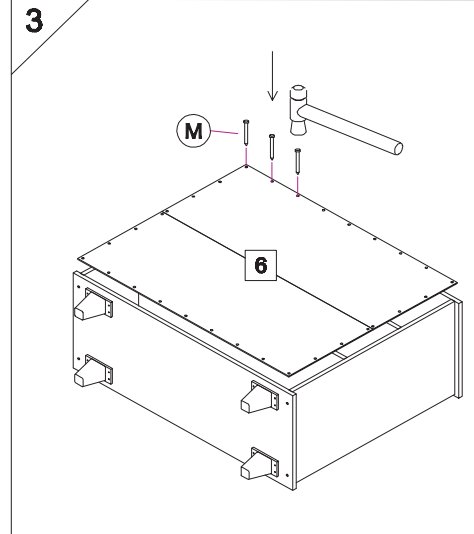
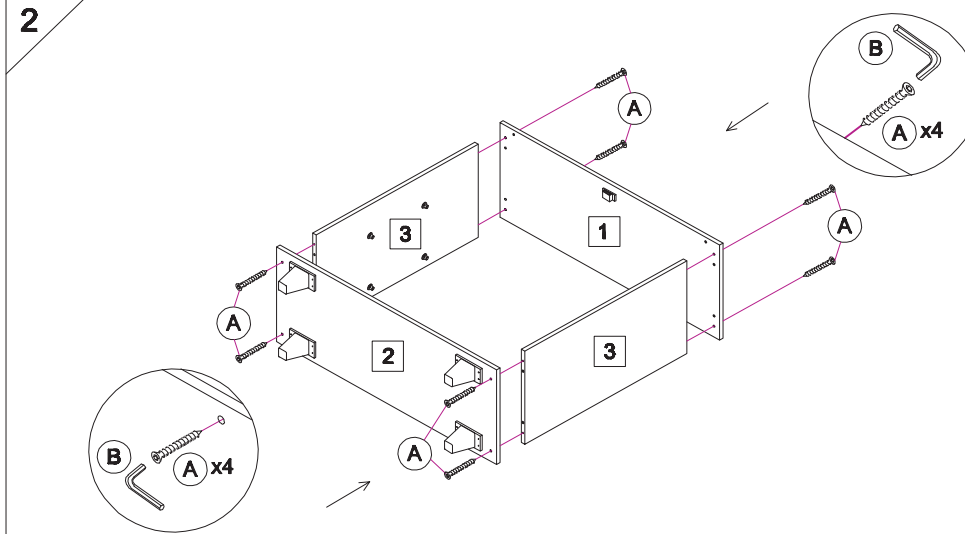
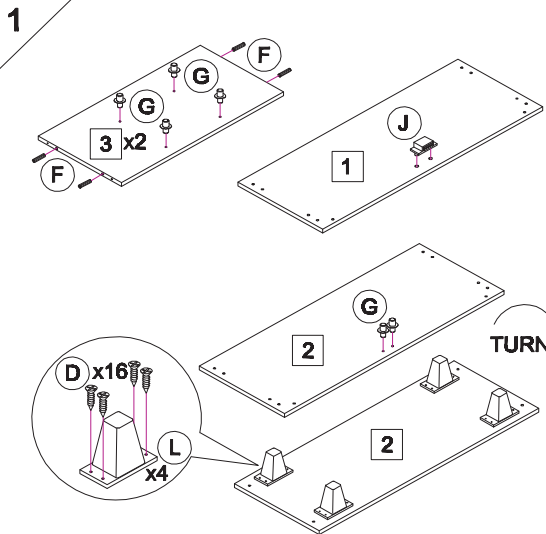
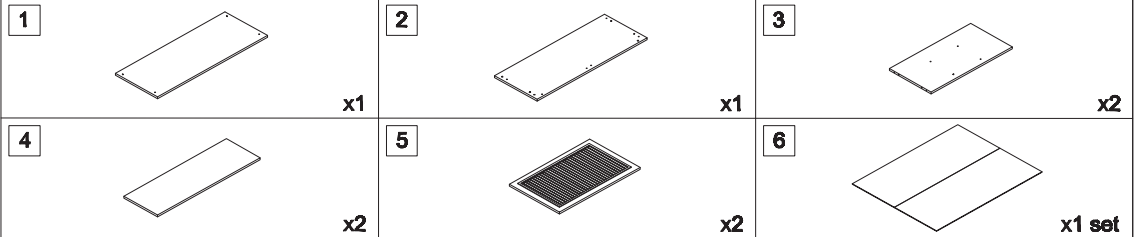
MODEL SIZE : H670 x 765 x D300

MODEL : 372100

HARDWARE



PART

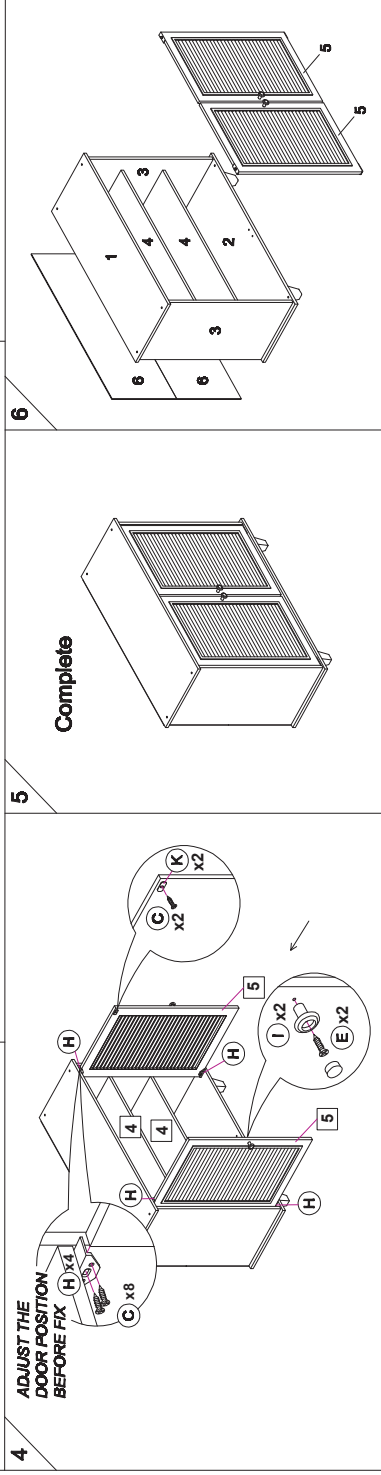
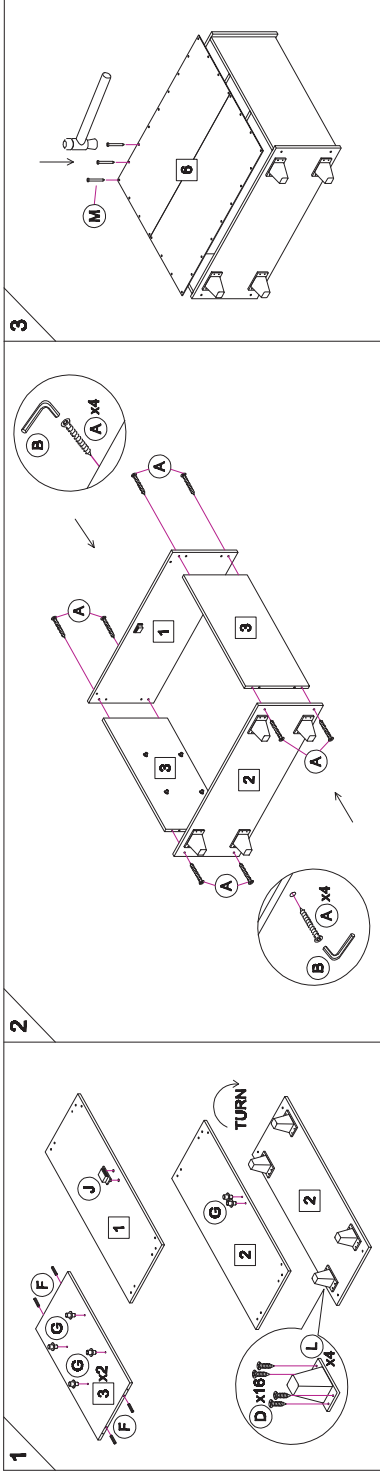


PLEASE FOLLOW
EXAMPLE : STEP ASM. HARDWARE PART
THOSE NUMBERS AS
STATED BELOW FOR
EASY ASSEMBLE.

MODEL SIZE : H670 x 765 x D300

MODEL : SU-2

1		A		12	
HARDWARE					
A	B	C	D	E	F
JCBC 40mm x8	L x1	G	H	I	J
25mm x2	16mm x16	12mm x10	40mm x10	25mm x8	25mm x2
L	K	L	M	N	O
x4	x1	x2	x4	x10	x30
H	I	J	K	L	M
x4	x2	x1	x1	x4	x4
1	2	3	4	5	6
x1	x1	x1	x1	x2	x2
3	2	1	4	5	6
x1	x1	x1	x2	x2	x2
3	2	1	4	5	6
x2	x2	x2	x2	x2	x2
3	2	1	4	5	6
x1 set	x1 set	x1 set	x1 set	x1 set	x1 set



PLEASE FOLLOW
EXAMPLE : STEP ASM. HARDWARE PART
THOSE NUMBERS AS
STATED BELOW FOR
EASY ASSEMBLE.

MODEL SIZE : H670 x 765 x D300

MODEL : SU-2

1		A		12	
HARDWARE					
A	B	C	D	E	F
JCBC 40mm x8	L x1	G	H	I	J
25mm x2	16mm x16	12mm x10	40mm x10	25mm x8	25mm x2
L	K	L	M	N	O
x4	x1	x2	x4	x10	x30
H	I	J	K	L	M
x4	x2	x1	x1	x4	x4
1	2	3	4	5	6
x1	x1	x1	x1	x2	x2
3	2	1	4	5	6
x1	x1	x1	x2	x2	x2
3	2	1	4	5	6
x1 set	x1 set	x1 set	x1 set	x1 set	x1 set

