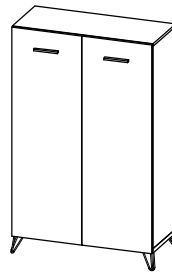


CODING
- 372063



ISO 9001:2015
Reg. No. 000435-1-MY-1-QMS

nuhoom.com

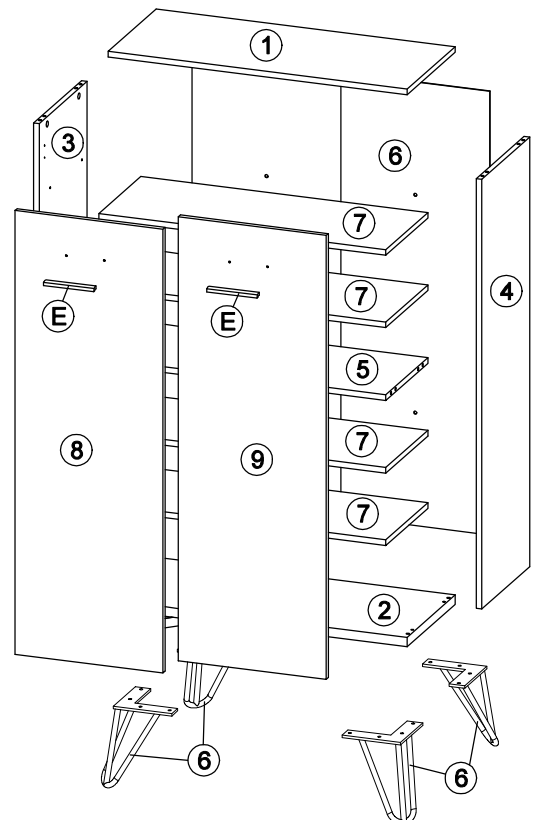
Read the instructions carefully. Remove all the wrappings, staples and straps from the carton. Refer to the hardware and furniture part list for guidance. Make sure that you have all the parts before you start assembling. Place all the wooden furniture parts on a clean, flat and soft surface, such as a carpet or rubbermat to prevent scratches.

CAUTION
KEEP ALL THE PARTS OUT OF CHILDREN'S REACH.

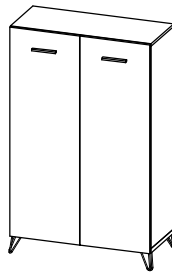
PART LIST		QTY
1	TOP PANEL	1 PC
2	BOTTOM PANEL	1 PC
3	SIDE PANEL (L)	1 PC
4	SIDE PANEL (R)	1 PC
5	MIDDLE PANEL	1 PC
6	BACK PANEL	1 PC
7	SHELF PANEL	4 PCS
8	DOOR PANEL (L)	1 PC
9	DOOR PANEL (R)	1 PC

HARDWARE			
A	MINI FIX	A1 A2 A3	8 PCS
B	M8 X 30MM WOOD DOWEL		12 PCS
C	M6 X 50MM CSK CAP WOOD SCREW		4 PCS
D	M4 X 32MM C.B SCREW		6 PCS
E	WOOD HANDLE		2 PCS
F	M3.5 X 16MM C.B SCREW		40 PCS
G	5/8 NAIL		28 PCS
H	ALLEN KEY M4		1 PC
I	METAL SHELF SUPPORT		16 PCS
J	SOFT CLOSING 5/8 HINGES		4 PCS
K	METAL LEG 90 x 90 x 8 x H145MM		4 PCS

SELF-PREPARED TOOLS: Tools below are NOT included in package.	
	SCREWDRIVER
	HAMMER



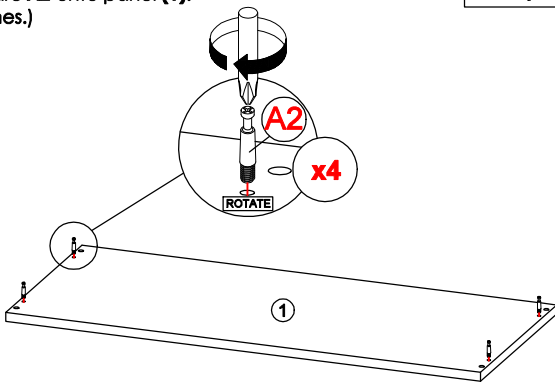
CODING
- 372063



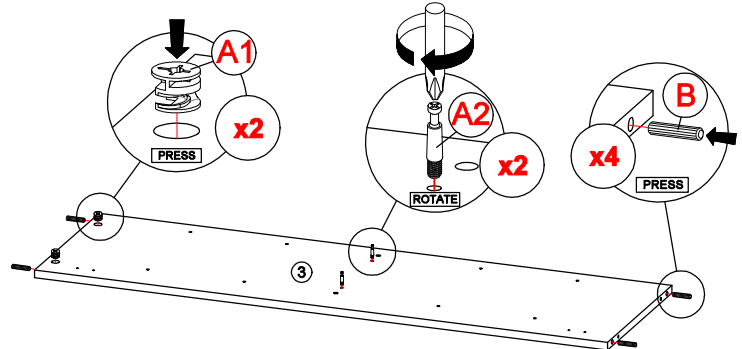
ISO 9001:2015
Reg. No. 000436-1-MY-1-QMS

nuhoom.com

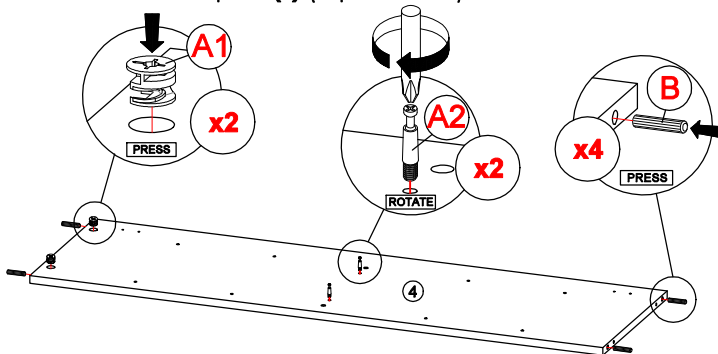
STEP 1
Insert hardware **A2** onto panel (1).
(Repeat 4 times.)



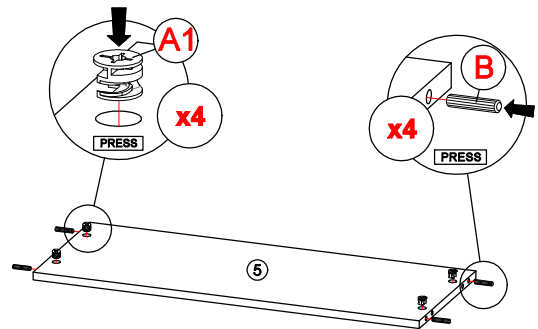
STEP 2
- Insert hardware **A1** onto panel (3). (Repeat 2 times.)
- Insert hardware **A2** onto panel (3). (Repeat 2 times.)
- Insert hardware **B** onto panel (3). (Repeat 4 times.)



STEP 3
- Insert hardware **A1** onto panel (4). (Repeat 2 times.)
- Insert hardware **A2** onto panel (4). (Repeat 2 times.)
- Insert hardware **B** onto panel (4). (Repeat 4 times.)



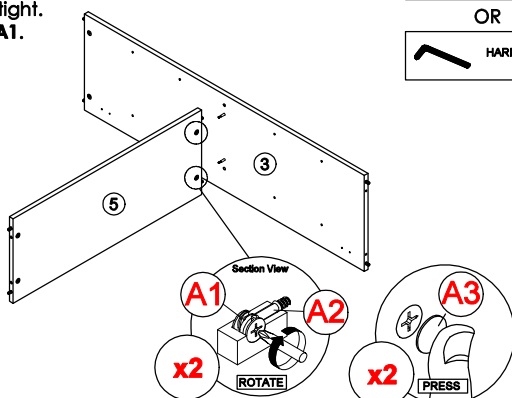
STEP 4
- Insert hardware **A1** onto panel (5). (Repeat 4 times.)
- Insert hardware **B** onto panel (5). (Repeat 4 times.)



* Ensure the arrows on hardware **A1** point towards mounting positions.

* Ensure the arrows on hardware **A1** point towards mounting positions.

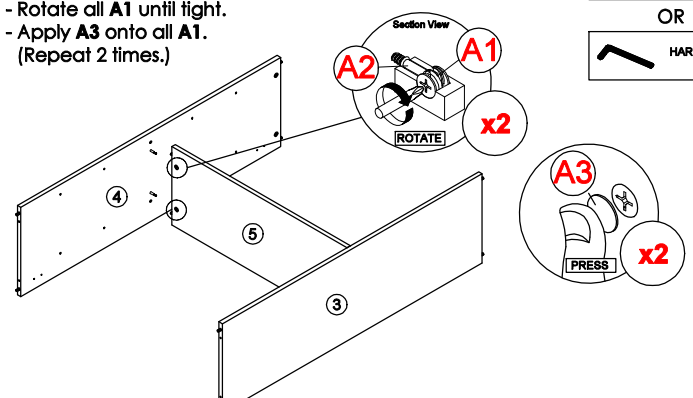
STEP 5
- Connect **A2** from panel (3) into **A1** in panel (5).
- Rotate all **A1** until tight.
- Apply **A3** onto all **A1**.
(Repeat 2 times.)



OR



STEP 6
- Connect **A2** from panel (4) into **A1** in panel (5).
- Rotate all **A1** until tight.
- Apply **A3** onto all **A1**.
(Repeat 2 times.)



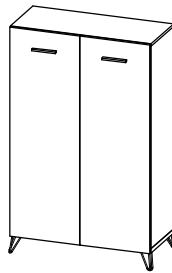
OR



* In this step hardware **A1**, **A2** and **B** are pre-inserted.

* In this step hardware **A1**, **A2** and **B** are pre-inserted.

CODING
- 372063

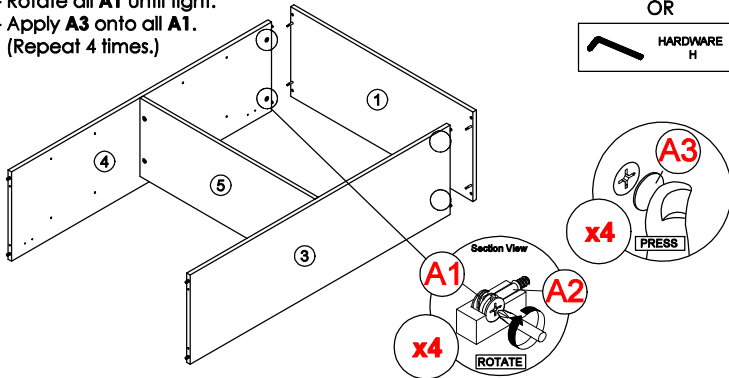
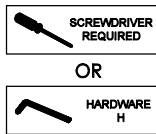


ISO 9001:2015
Reg. No. 000435-1-MY-1-QM

nuhoom.com

STEP 7

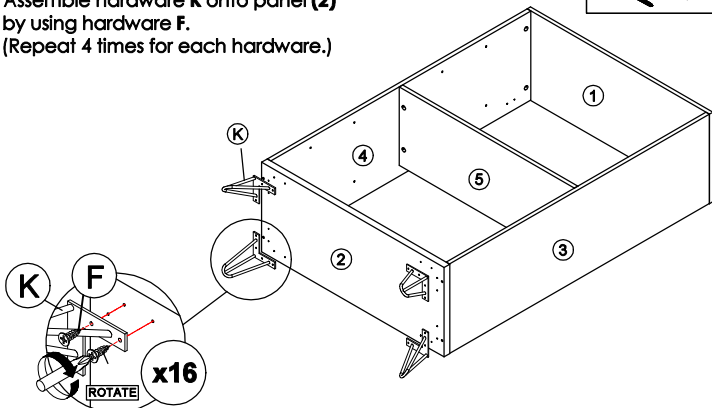
- Connect **A2** from panel (1) into **A1** in panel (3) and (4).
- Rotate all **A1** until tight.
- Apply **A3** onto all **A1**. (Repeat 4 times.)



* In this step hardware **A1**, **A2** and **B** are pre-inserted.

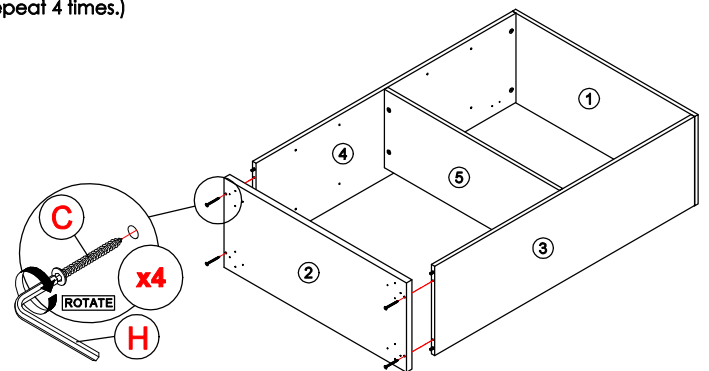
STEP 9

- Assemble hardware **K** onto panel (2) by using hardware **F**. (Repeat 4 times for each hardware.)



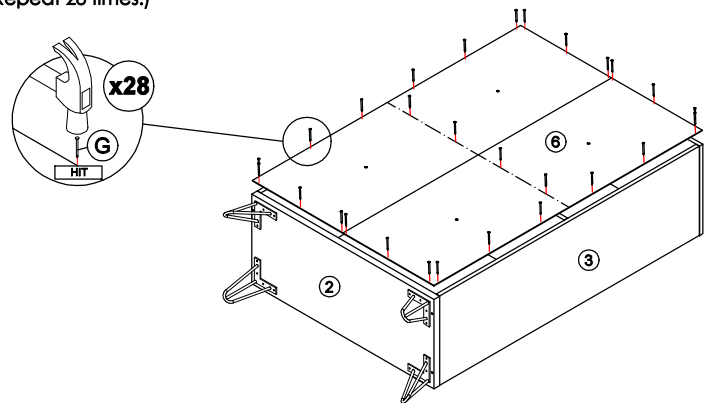
STEP 8

- Connect panel (2) to panel (3) and (4) by using hardware **C** and **H**. (Repeat 4 times.)



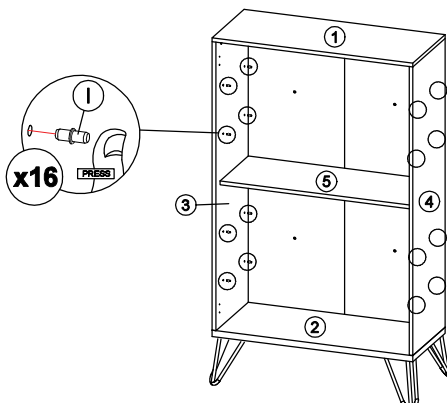
STEP 10

- Hit hardware **G** into back of panel (6). (Repeat 28 times.)



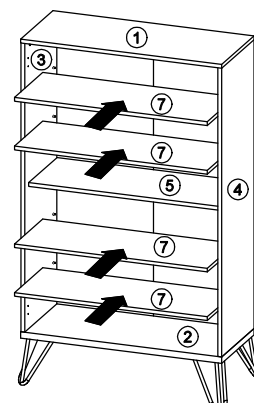
STEP 11

- Fix hardware **I** into panel (3) and (4). (Repeat 16 times.)

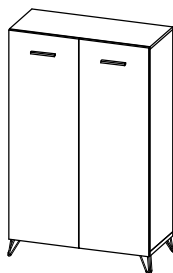


STEP 12

- Assemble the panel (7) into between panel (3) and (4). (Repeat 4 times.)



CODING
- 372063



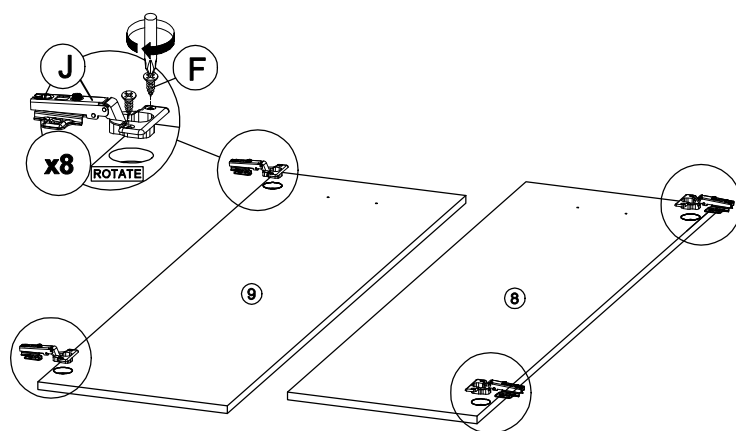
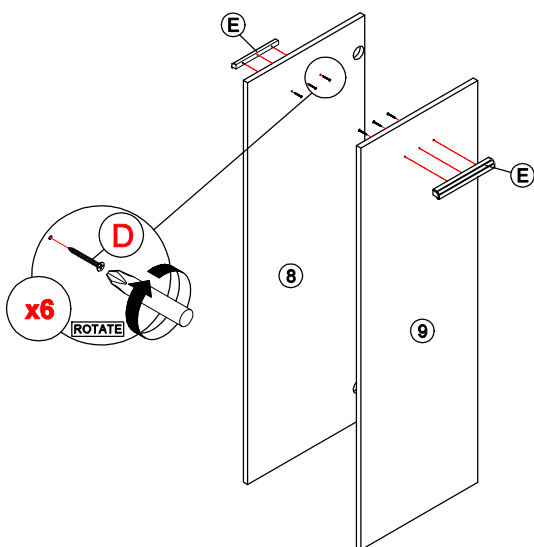
ISO 9001:2015
Reg. No. 000436-1-MY-1-QMS

nuhoom.com

STEP 13
Fix hardware **E** onto panel **(8)** and **(9)** by using hardware **D**.
(Repeat 6 times.)

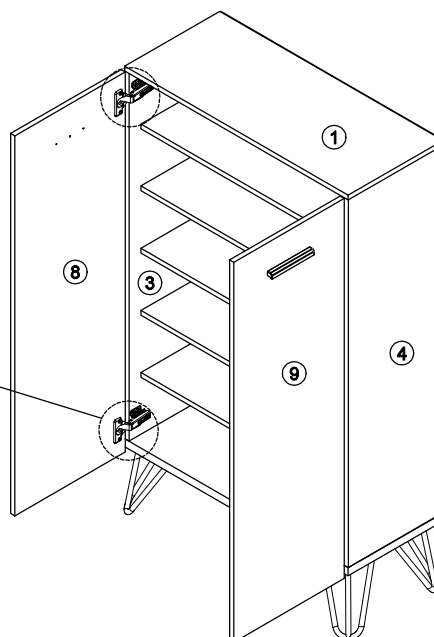
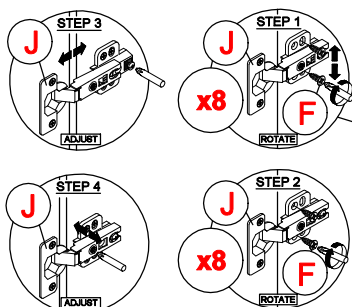


STEP 14
Fix hardware **J** onto panel **(8)** and **(9)** by using hardware **F**.
(Repeat 8 times.)



STEP 15
- Fix hardware **J** into panel **(3)** and **(4)** by using hardware **F**.
(Repeat 4 times for each hardware.)
- Tighten or loosen the screw to adjust position of panel **(8)** and **(9)**.
(Do only when needed.)

* In this step hardware **E** have been assembled.



* In this step hardware **J** have been assembled in panel **(8)** and **(9)**.