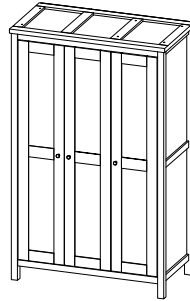


**CODING**  
- 353026



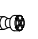

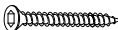




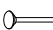









ISO 9001:2015  
Reg. No. 00045-1-MY-1-QMS

**nuhoom.com**

Read the instructions carefully. Remove all the wrappings , staples and straps from the carton. Refer to the hardware and furniture part list for guidance. Make sure that you have all the parts before you start assembling. Place all the wooden furniture parts on a clean, flat and soft surface, such as a carpet or rubbermat to prevent scratches.

**CAUTION**  
KEEP ALL THE PARTS OUT OF CHILDREN'S REACH.

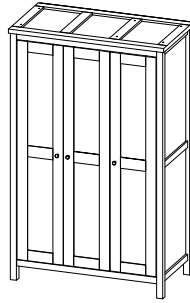
HARDWARE			
A	MINI FIX	A1  A2  A3 	22 SETS
B	M8 X 30MM WOOD DOWEL		34 PCS
C	M6 X 50MM CSK CAP WOOD SCREW		2 PCS
D	M6 X 60MM CSK CAP WOOD SCREW		6 PCS
E	ALLEN KEY M4		1 PC
F	M3.5 X 16MM C.B SCREW		58 PCS
G	M4 X 25MM C.B SCREW		3 PCS
H	5/8 NAIL		39 PCS
I	5/8 PVC NAIL LEG		4 PCS
J	METAL SHELF SUPPORT		8 PCS
K	STOPPER(2 PIN)		1 PC
L	311 KNOD		3 PCS
M	SOFT CLOSING 7/8 HINGES		9 PCS
N	433 OVAL TUBE BRACKET		2 PCS
O	433 OVAL PAIP		1 PC

**SELF-PREPARED TOOLS:** Tools below are NOT included in package.

	SCREWDRIVER		HAMMER
---	-------------	---	--------

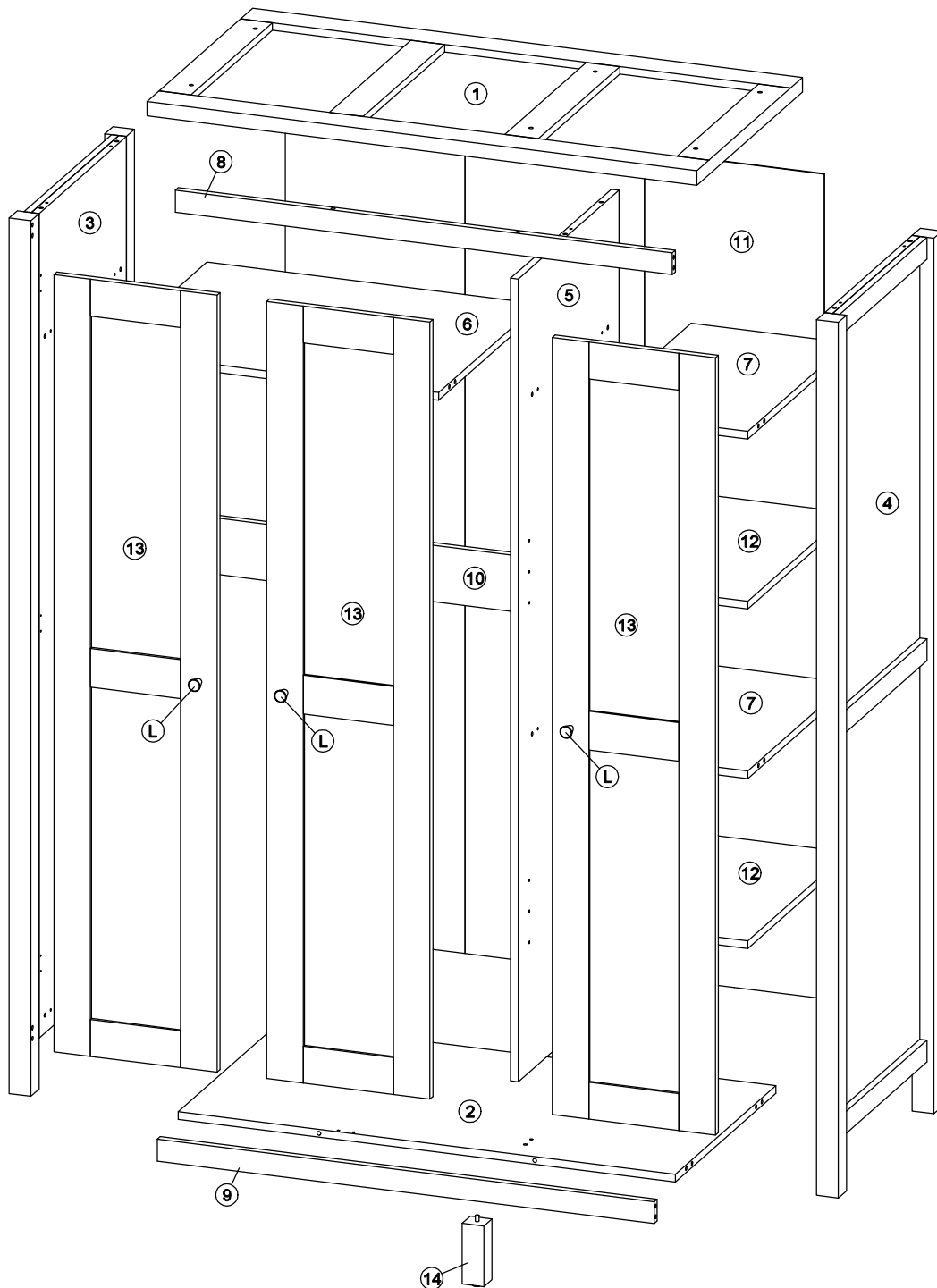
PART LIST		QTY
1	TOP PANEL	1 PC
2	BOTTOM PANEL	1 PC
3	SIDE PANEL (L)	1 PC
4	SIDE PANEL (R)	1 PC
5	CENTER PANEL	1 PC
6	MIDDLE PANEL (L)	1 PC
7	MIDDLE PANEL (R)	2 PCS
8	FRONT RAIL TOP	1 PC
9	FRONT RAIL BOTTOM	1 PC
10	BACK BONE	1 PC
11	BACK PANEL	1 PC
12	SHELF PANEL	2 PCS
13	DOOR PANEL	3 PCS
14	CENTER LEG	1 PC

CODING  
- 353026

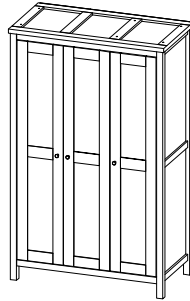


ISO 9001:2015  
Reg. No. 00035-1-MY-1-QMS

nuhoom.com



**CODING**  
- 353026

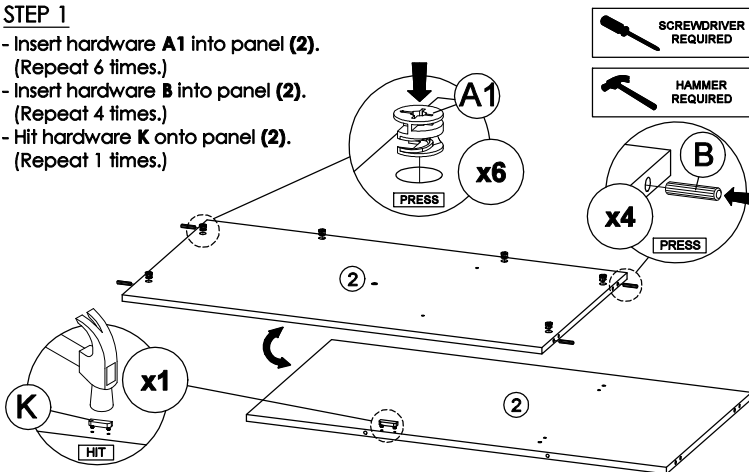


ISO 9001:2015  
Reg. No. 00035-1-MY-1-QMS

**nuhoom.com**

**STEP 1**

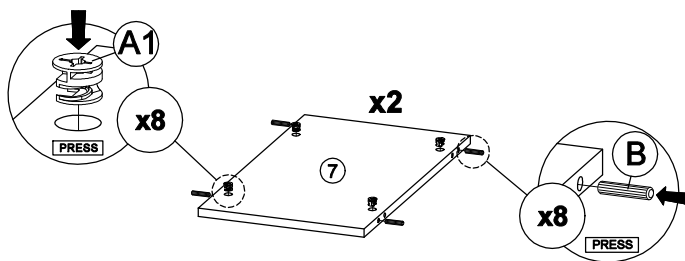
- Insert hardware **A1** into panel **(2)**.  
(Repeat 6 times.)
- Insert hardware **B** into panel **(2)**.  
(Repeat 4 times.)
- Hit hardware **K** onto panel **(2)**.  
(Repeat 1 times.)



\* Ensure the arrows on hardware **A1** point towards mounting positions.

**STEP 3**

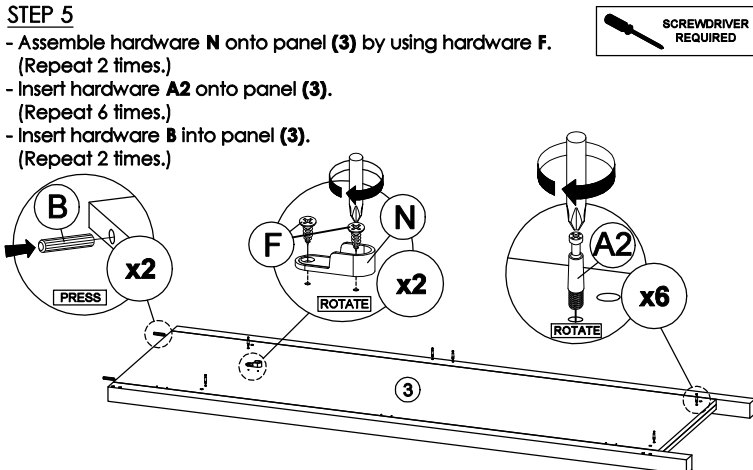
- Insert hardware **A1** into panel **(7)**.  
(Repeat 8 times.)
- Insert hardware **B** into panel **(7)**.  
(Repeat 8 times.)



\* Ensure the arrows on hardware **A1** point towards mounting positions.

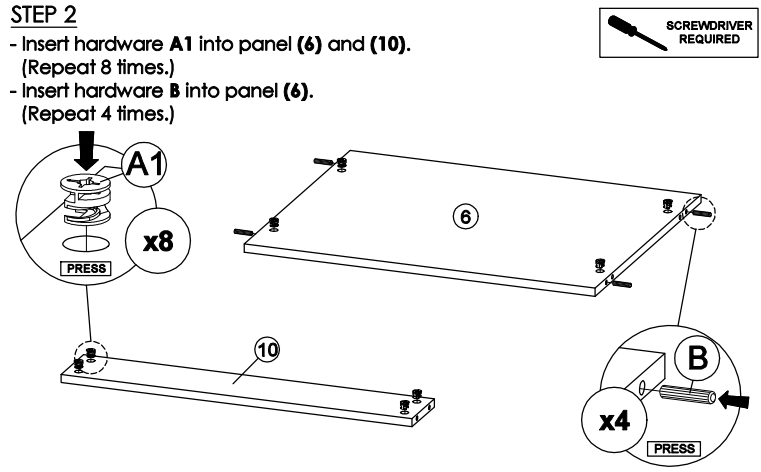
**STEP 5**

- Assemble hardware **N** onto panel **(3)** by using hardware **F**.  
(Repeat 2 times.)
- Insert hardware **A2** onto panel **(3)**.  
(Repeat 6 times.)
- Insert hardware **B** into panel **(3)**.  
(Repeat 2 times.)



**STEP 2**

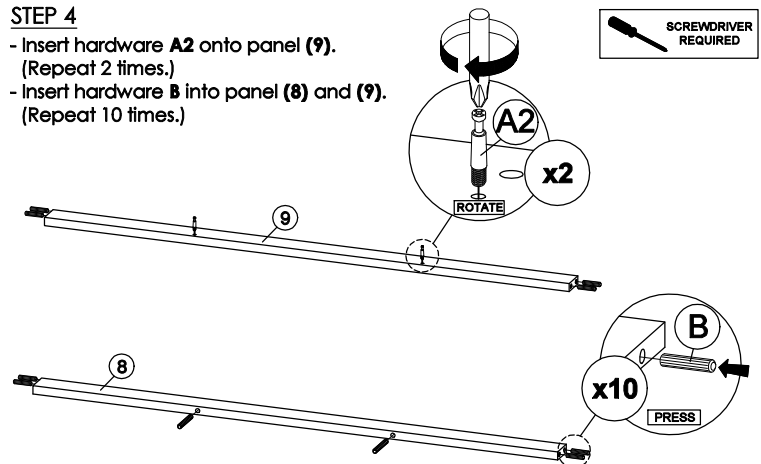
- Insert hardware **A1** into panel **(6)** and **(10)**.  
(Repeat 8 times.)
- Insert hardware **B** into panel **(6)**.  
(Repeat 4 times.)



\* Ensure the arrows on hardware **A1** point towards mounting positions.

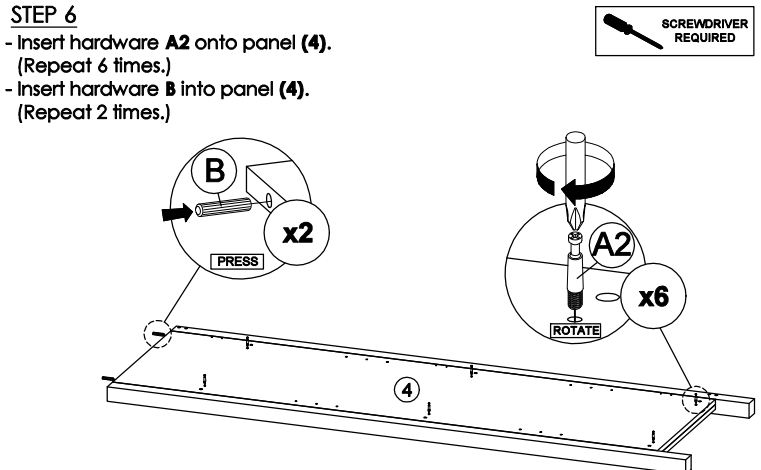
**STEP 4**

- Insert hardware **A2** onto panel **(9)**.  
(Repeat 2 times.)
- Insert hardware **B** into panel **(8)** and **(9)**.  
(Repeat 10 times.)

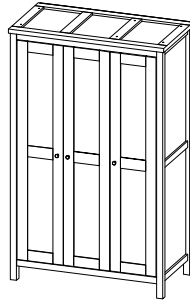


**STEP 6**

- Insert hardware **A2** onto panel **(4)**.  
(Repeat 6 times.)
- Insert hardware **B** into panel **(4)**.  
(Repeat 2 times.)



**CODING**  
- 353026

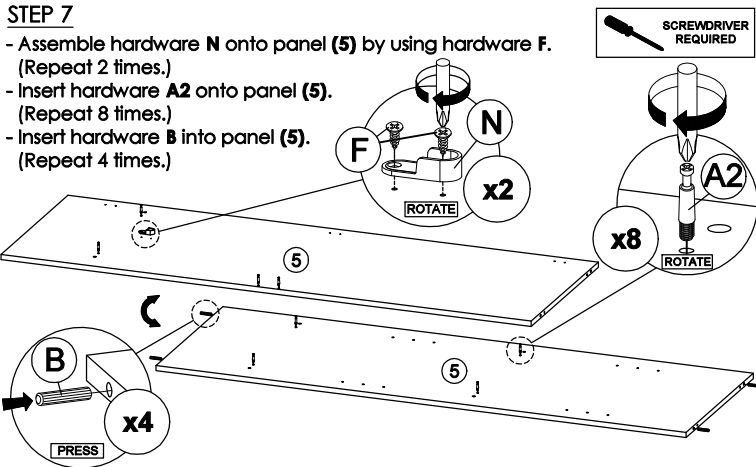


ISO 9001:2015  
Reg. No. 00035-1-MY-1-QMS

**nuhoom.com**

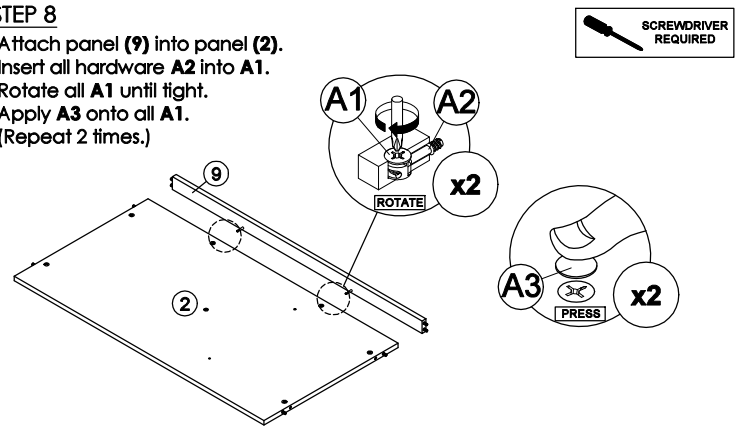
**STEP 7**

- Assemble hardware **N** onto panel **(5)** by using hardware **F**. (Repeat 2 times.)
- Insert hardware **A2** onto panel **(5)**. (Repeat 8 times.)
- Insert hardware **B** into panel **(5)**. (Repeat 4 times.)



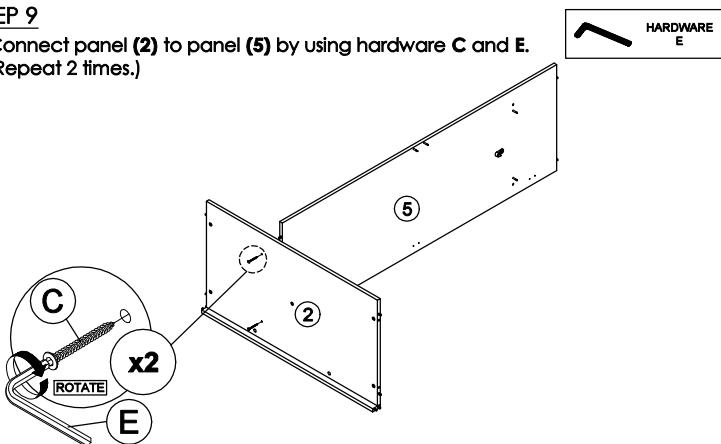
**STEP 8**

- Attach panel **(9)** into panel **(2)**.
- Insert all hardware **A2** into **A1**.
- Rotate all **A1** until tight.
- Apply **A3** onto all **A1**. (Repeat 2 times.)



**STEP 9**

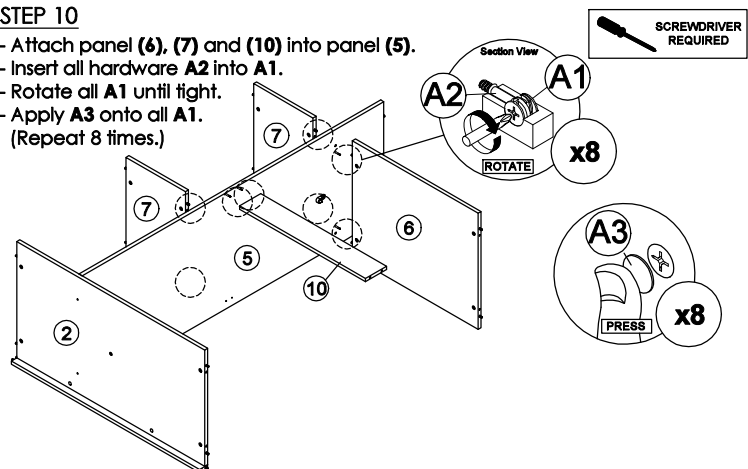
- Connect panel **(2)** to panel **(5)** by using hardware **C** and **E**. (Repeat 2 times.)



\* In this step hardware **A1**, **A2** and **B** are pre-inserted.

**STEP 10**

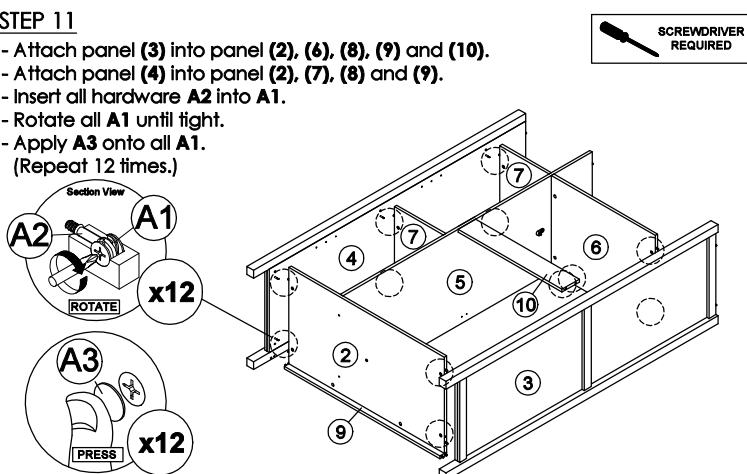
- Attach panel **(6)**, **(7)** and **(10)** into panel **(5)**.
- Insert all hardware **A2** into **A1**.
- Rotate all **A1** until tight.
- Apply **A3** onto all **A1**. (Repeat 8 times.)



\* In this step hardware **B** are pre-inserted.

**STEP 11**

- Attach panel **(3)** into panel **(2)**, **(6)**, **(8)**, **(9)** and **(10)**.
- Attach panel **(4)** into panel **(2)**, **(7)**, **(8)** and **(9)**.
- Insert all hardware **A2** into **A1**.
- Rotate all **A1** until tight.
- Apply **A3** onto all **A1**. (Repeat 12 times.)

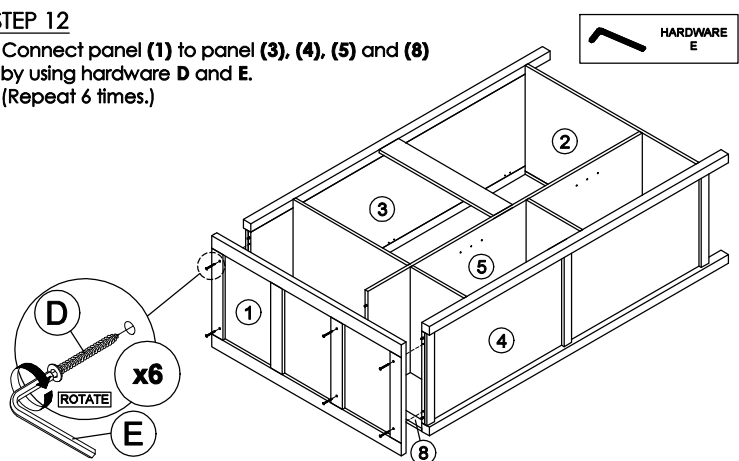


\* In this step hardware **A1**, **A2** and **B** are pre-inserted.

\* In this step hardware **A1**, **A2** and **B** are pre-inserted.

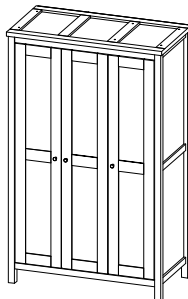
**STEP 12**

- Connect panel **(1)** to panel **(3)**, **(4)**, **(5)** and **(8)** by using hardware **D** and **E**. (Repeat 6 times.)



\* In this step hardware **B** are pre-inserted.

**CODING**  
- 353026

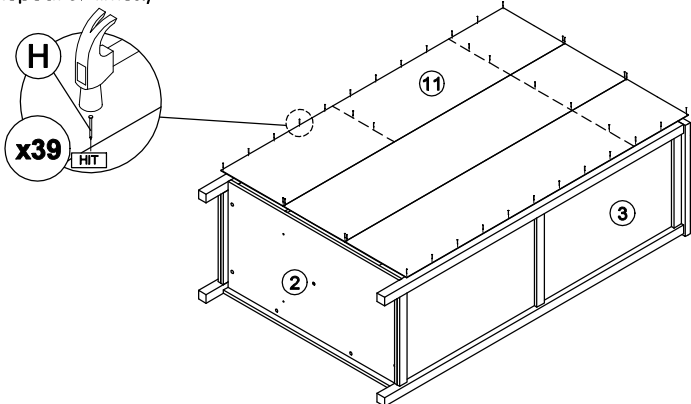


ISO 9001:2015  
Reg. No. 00035-1-MY-1-QMS

**nuhoom.com**

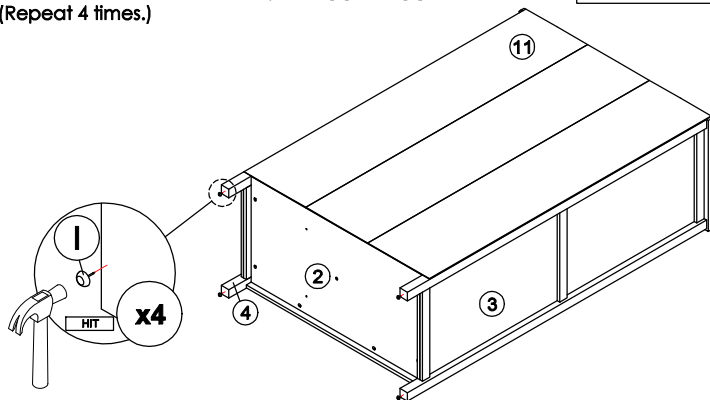
**STEP 13**

- Assemble panel (11) to entire body with hardware H.  
(Repeat 39 times.)



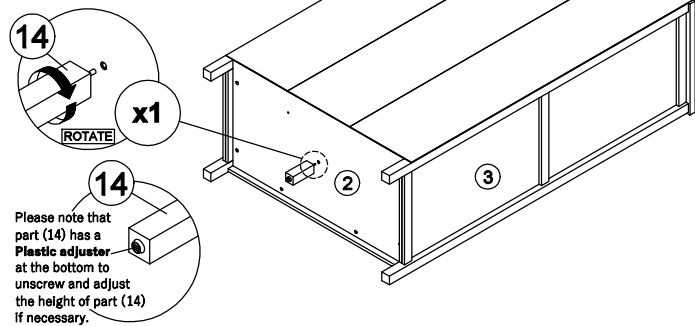
**STEP 14**

- Hit hardware I into bottom of panel (3) and (4).  
(Repeat 4 times.)



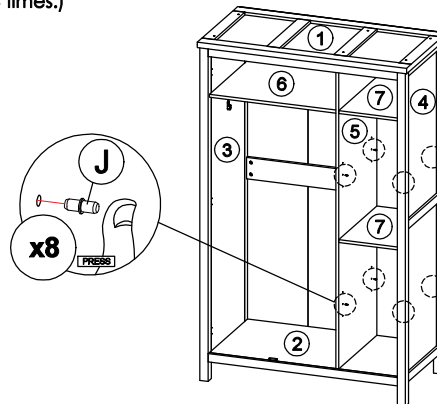
**STEP 15**

- Assemble part (14) into panel (2).  
(Repeat 1 times.)



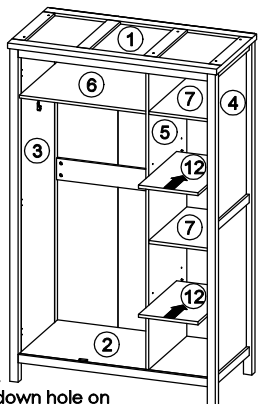
**STEP 16**

- Insert hardware J into mounting positions on panel (4) and (5) by hand.  
(Repeat 8 times.)



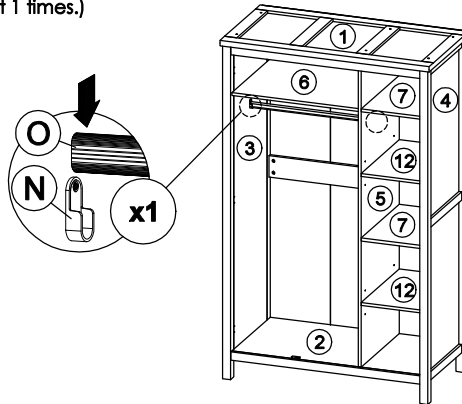
**STEP 17**

- Assemble panel (12) into between panel (4) and (5).  
(Repeat 2 times.)



**STEP 18**

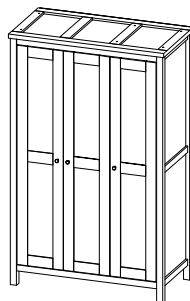
- Attach hardware O to hardware N.  
(Repeat 1 times.)



\*In this step hardware J are pre-inserted.  
\*Hardware J can fix to another up and down hole on panel (4) and (5) for adjust panel (12) to high or lower.

\* In this step hardware N have been assembled.

**CODING**  
- 353026

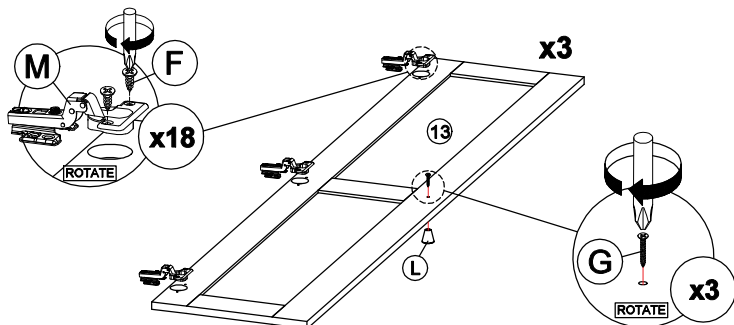


ISO 9001:2015  
Reg. No. 00043-1-MY-1-QMS

**nuhoom.com**

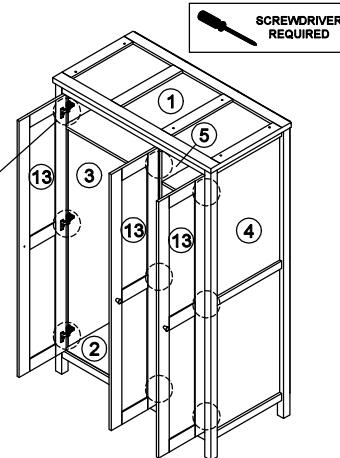
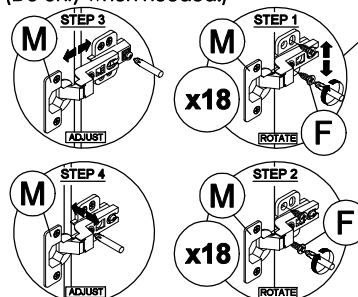
**STEP 19**

- Fix hardware **M** onto panel **(13)** by using hardware **F**.  
(Repeat 2 times for each hardware.)
- Fix hardware **L** onto panel **(13)** by using hardware **G**.  
(Repeat 1 times for each hardware.)



**STEP 20**

- Fix hardware **M** into panel **(3)**, **(4)** and **(5)** by using hardware **F**.  
(Repeat 4 times for each hardware.)
- Tighten or loosen the screw to adjust position of panel **(13)**.  
(Do only when needed.)



\* In this step hardware **M** have been assembled in panel **(13)**.