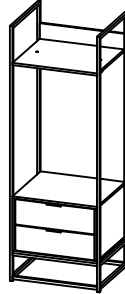


CODING
- 352024



ISO 9001:2015
Reg. No. 00035-1-INT-1-QMS

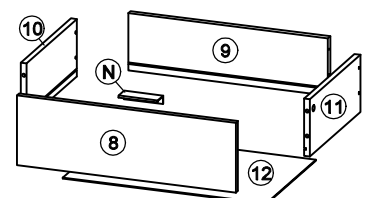
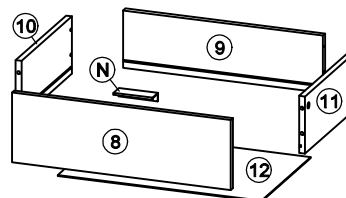
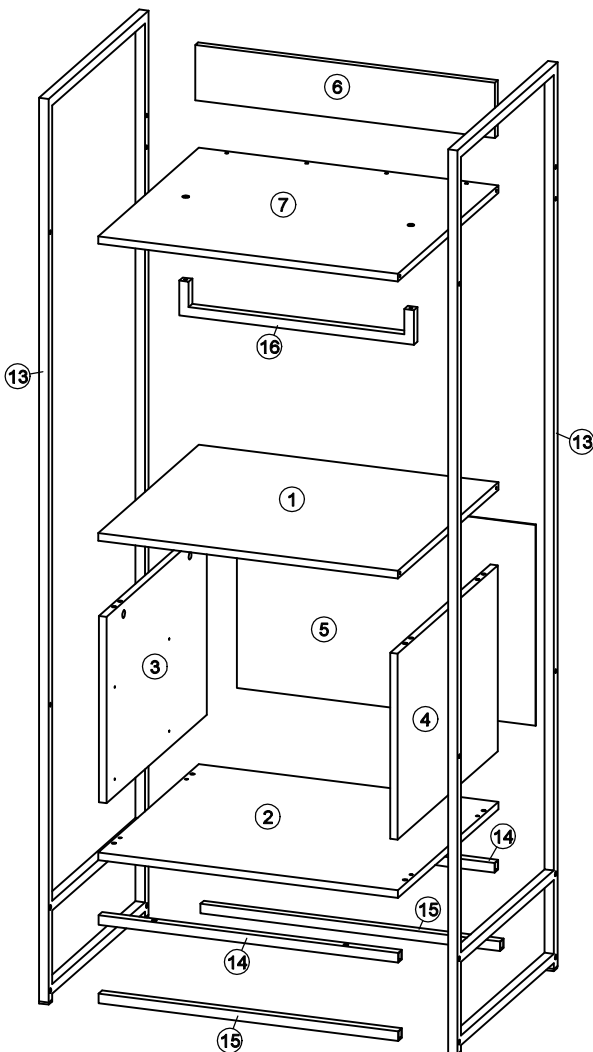
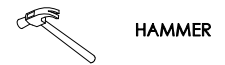
nuhoom.com

Read the instructions carefully. Remove all the wrappings, staples and straps from the carton. Refer to the hardware and furniture part list for guidance. Make sure that you have all the parts before you start assembling. Place all the wooden furniture parts on a clean, flat and soft surface, such as a carpet or rubbermat to prevent scratches.

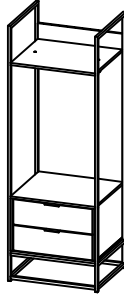
CAUTION
KEEP ALL THE PARTS OUT OF CHILDREN'S REACH.

PART LIST		QTY
1	TOP PANEL	1 PC
2	BOTTOM PANEL	1 PC
3	SIDE PANEL - L	1 PC
4	SIDE PANEL - R	1 PC
5	BACK PANEL	1 PC
6	BACK BONE	1 PC
7	SHELF PANEL	1 PC
8	DRAWER FRONT	2 PCS
9	DRAWER BACK	2 PCS
10	DRAWER SIDE - L	2 PCS
11	DRAWER SIDE - R	2 PCS
12	DRAWER BOTTOM	2 PCS
13	METAL SIDE	2 PCS
14	METAL SUPPORT - 1	2 PCS
15	METAL SUPPORT - 2	2 PCS
16	METAL HANGER	1 PC

SELF-PREPARED TOOLS: Tools below are NOT included in package.



CODING
- 352024



ISO 9001:2015
Reg. No. 00035-1-MY-1-QMS

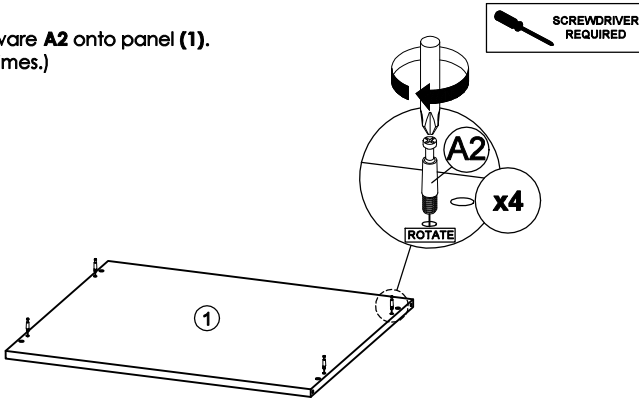
nuhoom.com

HARDWARE					
A	MINI FIX	A1	A2	A3	8 SETS
B	M8 X 30MM WOOD DOWEL				12 PCS
C	M6 X 50MM CSK CAP WOOD SCREW				8 PCS
D	ALLEN KEY M4				1 PC
E	M3 X 12MM C.B SCREW				4 PCS
F	M3.5 X 16MM C.B SCREW				24 PCS
G	M4 X 38MM C.B SCREW				8 PCS

H	5/8 NAIL		10 PCS	
I	JCBC W SCREW M6 x 50MM		10 PCS	
J	JCBC SCREW M6 X 35MM		2 PCS	
K	JCBC SCREW M6 X 30MM		4 PCS	
L	JCBC SCREW M6 X 40MM		8 PCS	
M	14" DRAWER SLIDE	M1 (L/R)	M2 (L/R)	2 SETS
N	HANDLE 4020 L BAR 100		2 PCS	
TIPPING PACK WITH A1			2 SETS	

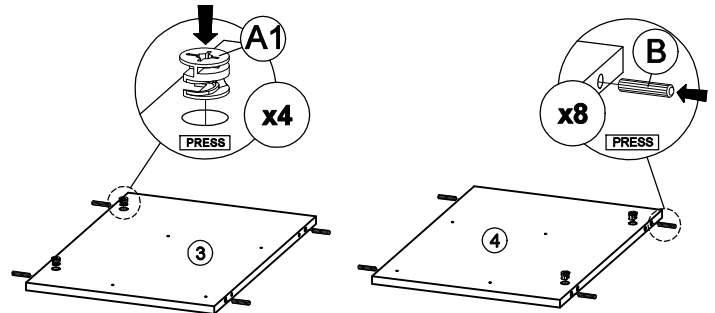
STEP 1

Insert hardware **A2** onto panel (1).
(Repeat 4 times.)



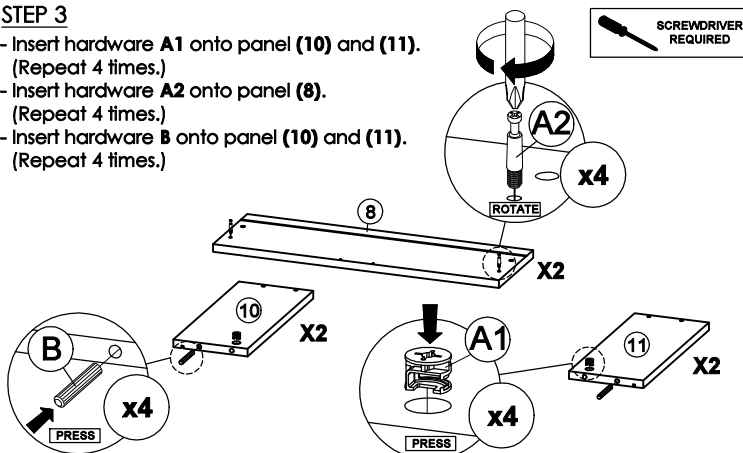
STEP 2

- Insert hardware **A1** onto panel (3) and (4).
(Repeat 4 times.)
- Insert hardware **B** onto panel (3) and (4).
(Repeat 8 times.)



STEP 3

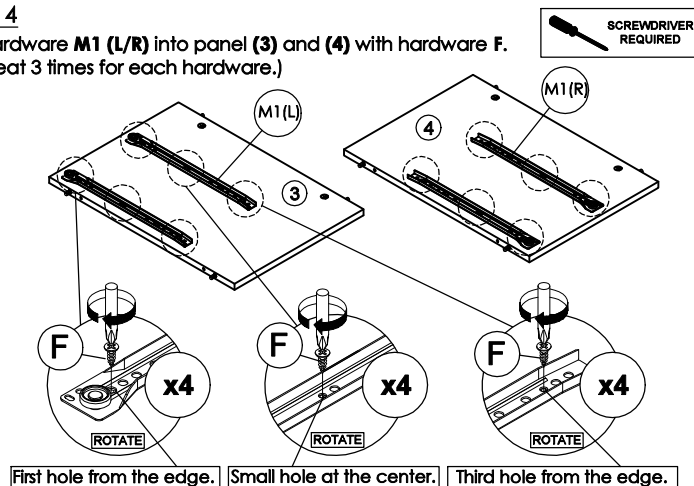
- Insert hardware **A1** onto panel (10) and (11).
(Repeat 4 times.)
- Insert hardware **A2** onto panel (8).
(Repeat 4 times.)
- Insert hardware **B** onto panel (10) and (11).
(Repeat 4 times.)



* Ensure the arrows on hardware **A1** point towards mounting positions.

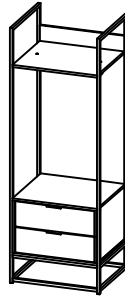
STEP 4

Fix hardware **M1 (L/R)** into panel (3) and (4) with hardware **F**.
(Repeat 3 times for each hardware.)



* Ensure the arrows on hardware **A1** point towards mounting positions.

CODING
- 352024

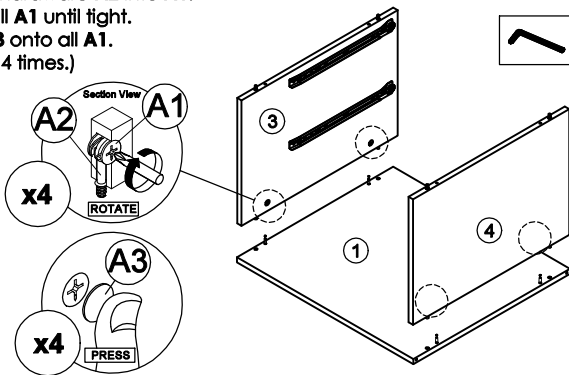
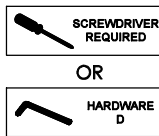


ISO 9001:2015
Reg. No. 00043-1-MY-1-QMS

nuhoom.com

STEP 5

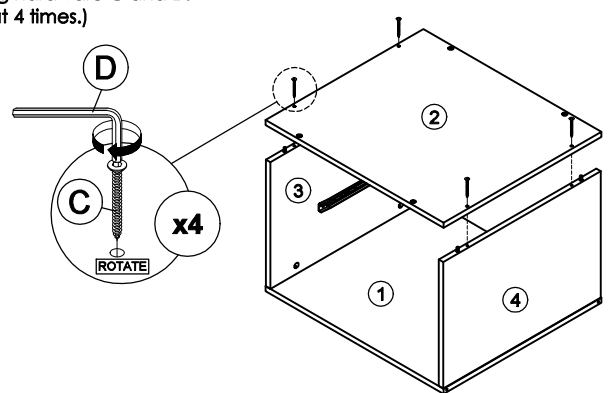
- Attach panel (1) to panel (3) and (4).
- Insert all hardware A2 into A1.
- Rotate all A1 until tight.
- Apply A3 onto all A1.
- (Repeat 4 times.)



* In this step hardware A1, A2 and B are pre-inserted.

STEP 6

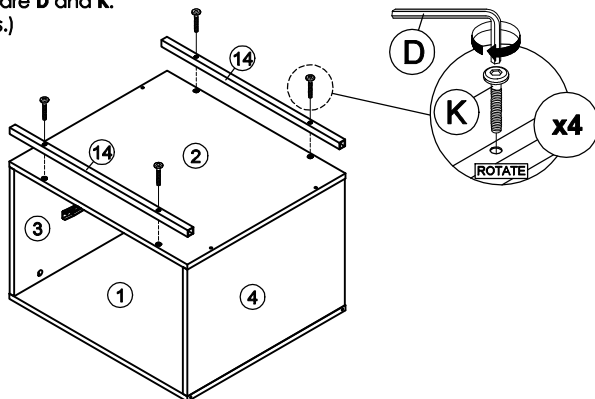
- Connect panel (2) to panel (3) and (4) by using hardware C and D.
- (Repeat 4 times.)



* In this step hardware B are pre-inserted.

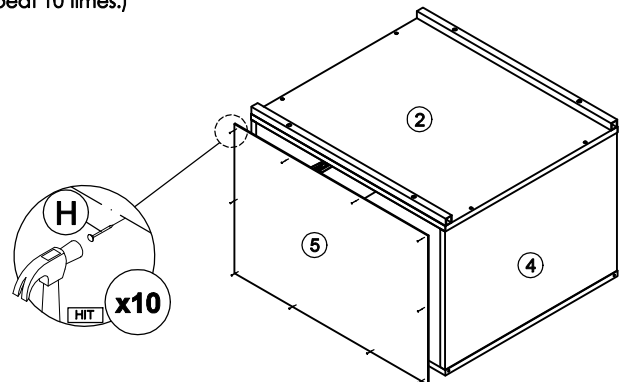
STEP 7

- Connect Metal Support - 1 (14) to panel (2) by using hardware D and K.
- (Repeat 4 times.)



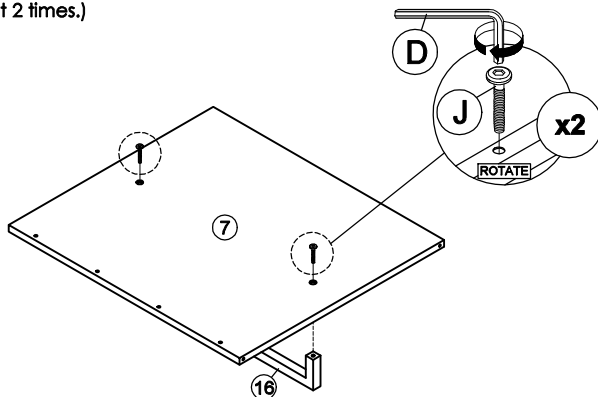
STEP 8

- Assemble panel (5) to entire body with hardware H.
- (Repeat 10 times.)



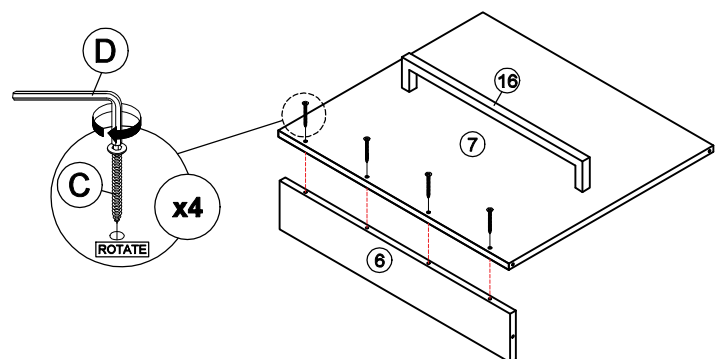
STEP 9

- Connect Metal Hanger (16) to panel (7) by using hardware D and J.
- (Repeat 2 times.)

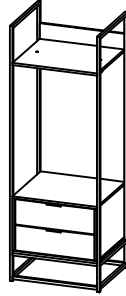


STEP 10

- Connect panel (7) to panel (6) by using hardware C and D.
- (Repeat 4 times.)



CODING
- 352024

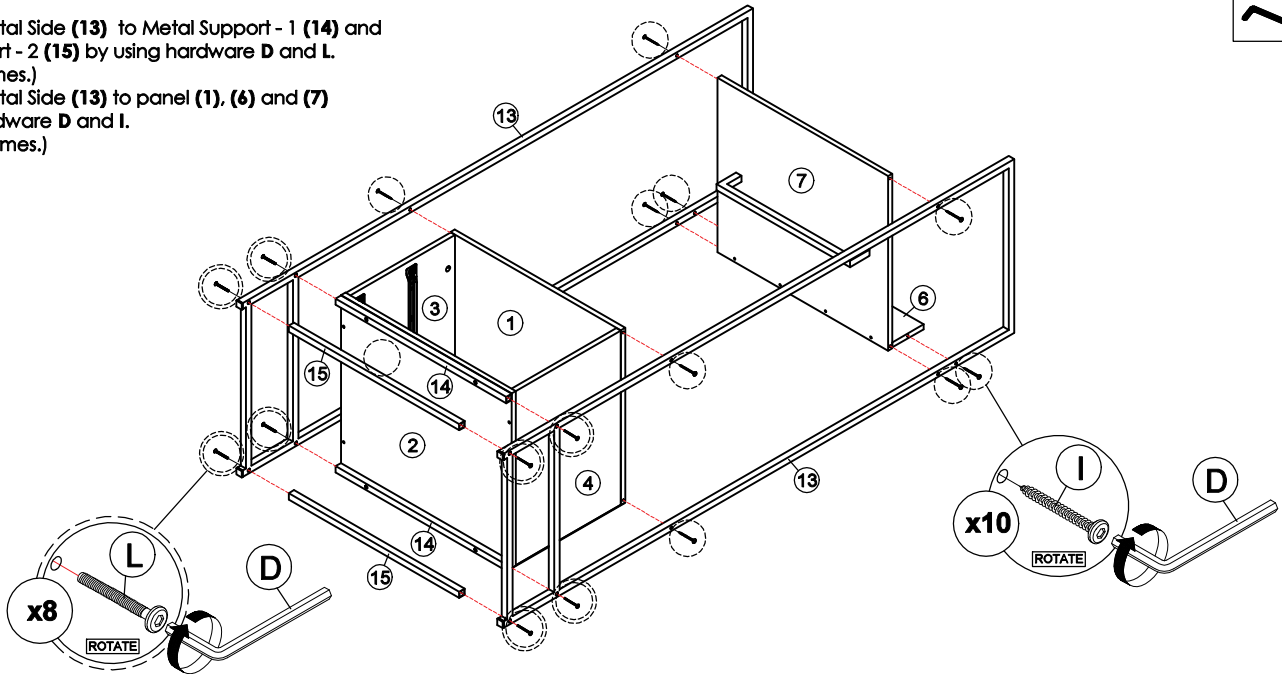


ISO 9001:2015
Reg. No. 00043-1-INT-1-QMS

nuhoom.com

STEP 11

- Connect Metal Side (13) to Metal Support - 1 (14) and Metal Support - 2 (15) by using hardware D and L. (Repeat 8 times.)
- Connect Metal Side (13) to panel (1), (6) and (7) by using hardware D and I. (Repeat 10 times.)



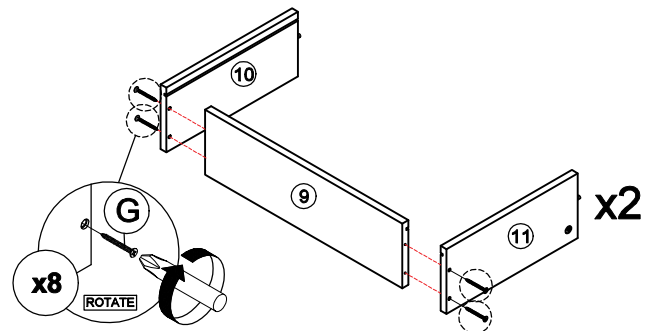
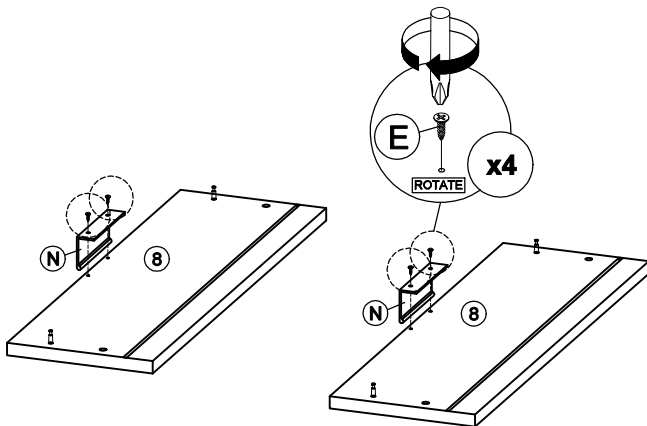
STEP 12

- Fix hardware N onto panel (8) by using hardware E. (Repeat 2 times for each hardware.)

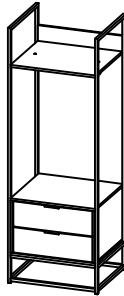


STEP 13

- Assemble panel (9) to panel (10) and (11) by using hardware G. (Repeat 8 times.)
- * In this step only show one of the drawers.



CODING
- 352024



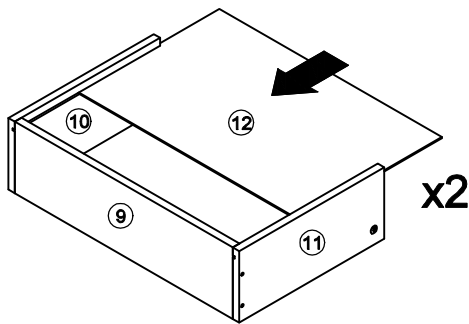
ISO 9001:2015
Reg. No. 00043-1-007-1-008

nuhoom.com

STEP 14

Insert the panel (12) along the slot.
(Repeat 2 times.)

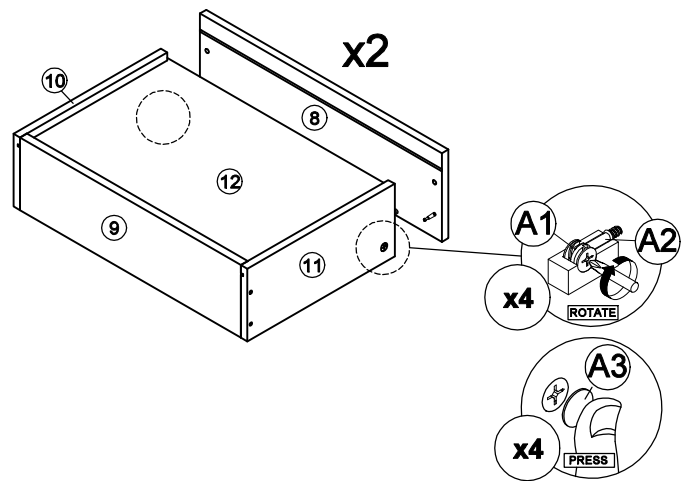
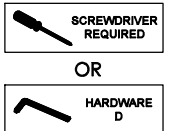
* In this step only show one of the drawers.



STEP 15

- Attach panel (8) to panel (10) and (11).
- Insert all hardware A2 into A1.
- Rotate all A1 until tight.
- Apply A3 onto all A1.
(Repeat 4 times.)

* In this step only show one of the drawers.

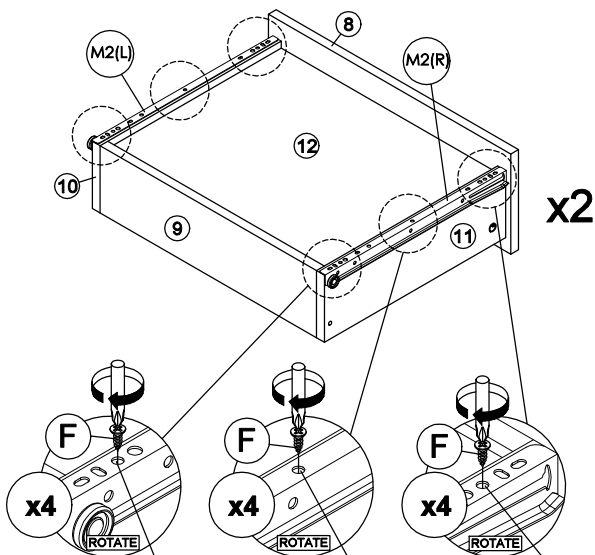


STEP 16

Assemble hardware M2 (L/R) to panel (10) and (11) by using hardware F.

(Repeat 3 times for each hardware.)

* In this step only show one of the drawers.



Third hole from the edge. Hole at the center. Third hole from the edge.

*Hardware M2 (L/R) shall be leaning against panel (8) when assembling.

* In this step hardware A1, A2 and B are pre-inserted.

STEP 17

Put all the drawer in place along the drawer slides.

