

## CODING

- 346018
- 346019



ISO 9001:2015  
Reg. No. 000435-1-MY-1-QMS

LUooma.com

Read the instruction carefully. Remove all the wrapping material, staples and straps from the carton. Refer to the hardware and furniture part list for guidance. Be sure that you have all the parts before you start assembling. Place all the wooden furniture part on a clean and flat soft surface, such as carpet or rubbermat to prevent from scratches.

## CAUTION

KEEP ALL THE PARTS OUT OF REACH OF CHILDREN.

ITEM	PHOTO	HAREWARE NAME	QTY
(A)		Wooden dowel (8x35)	26
(B)		The cap of bolt (15x12)	34
(C)		Bolt (8x35)	34
(D)		Screw (3x12)	2
(E)		Screw (3x18)	6
(F)		Screw (3.5x12)	6
(G)		Screw (3.5x35)	24
(H)		Screw (4x15)	33
(I)		Belt (20x215)	1
(J)		Allen key (4x21x57)	1
(K)		Bolt (6x15)	4
(L)		Bolt (6x35)	4
(M)		(6x50)	8

ITEM	PHOTO	HAREWARE NAME	QTY
(N)		Screw (4x25)	4
(O)		Slider	3
(P)		Hinge	4
(Q)		Hinge	2
(R)		Hinge	2
(S)		Back panel holder	6
(T)		Shelf board holder	8
(U)		PVC sticker (20x0.5)	8
(V)		Part of lock	2
(W)		Part of lock	2
(X)		Part of lock	2
(Y)		Middle leg	1

## CODING

- 346018
- 346019



ISO 9001:2015  
Reg. No. 000435-1-MY-1-QMS

LUooma.com

ITEM	PHOTO	PARTS NAME	QTY
①		Top panel	1
②		Bottom panel	1
③		Left-side panel	1
④		Right-side panel	1
⑤		Middle-side panel in left	1
⑥		Middle-side panel in right	1
⑦		Shelf board	2
⑧		Left Door	1
⑨		Right Door	1
⑩		Drawer front	3

ITEM	PHOTO	PARTS NAME	QTY
⑪		Left-side panel of Drawer	3
⑫		Right-side panel of Drawer	3
⑬		Back panel of Drawer	3
⑭		Support batten of drawer	3
⑮		Bottom panel of drawer	3
⑯		Left-back panel	1
⑰		Middle back panel	1
⑱		Right-back panel	1
⑲		Wooden leg	2
⑳		Iron tube	2

## CODING

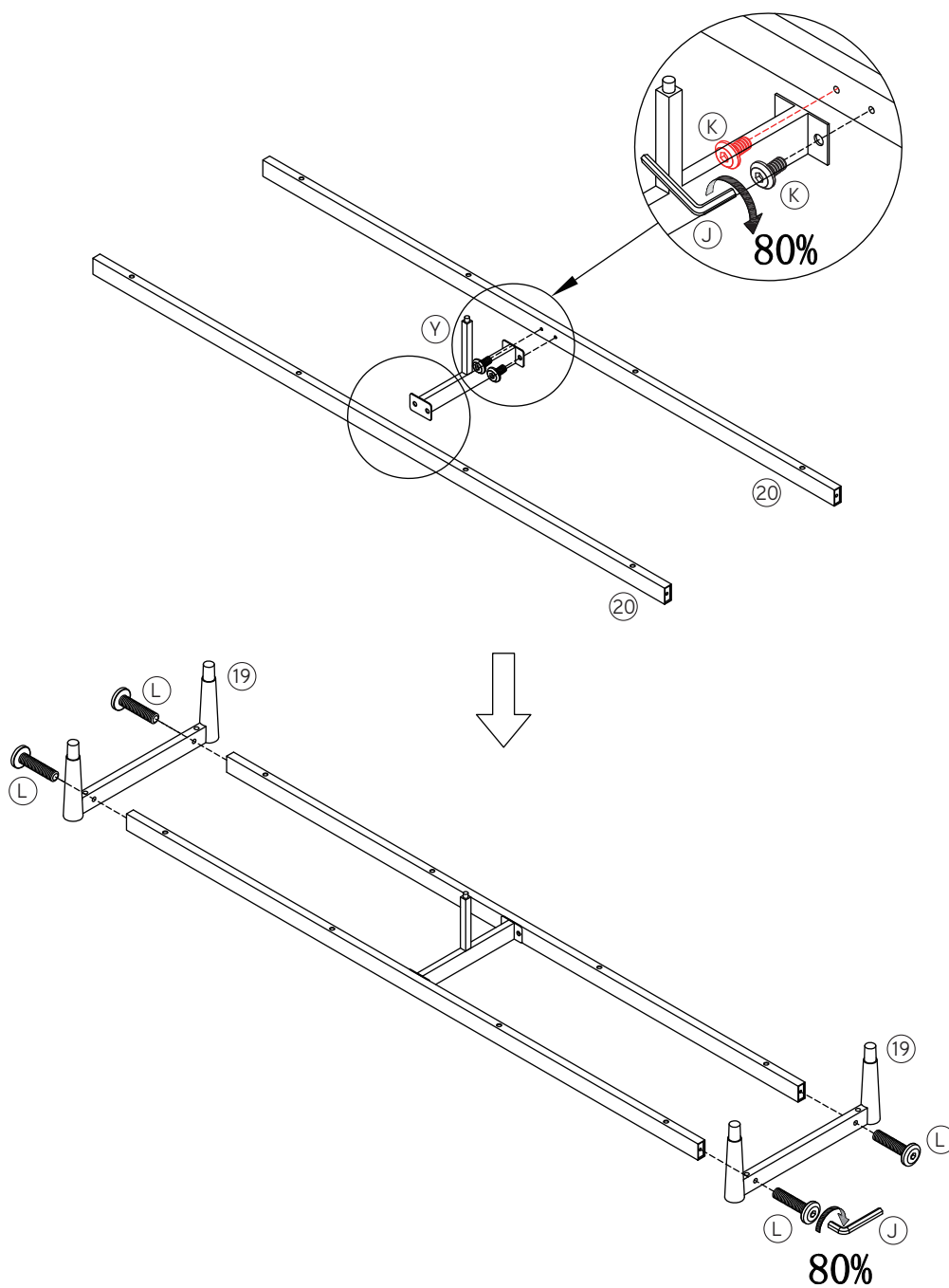
- 346018
- 346019



ISO 9001:2015  
Reg. No. 000435-1-MY-1-QMS

LUOMA.COM

1



## CODING

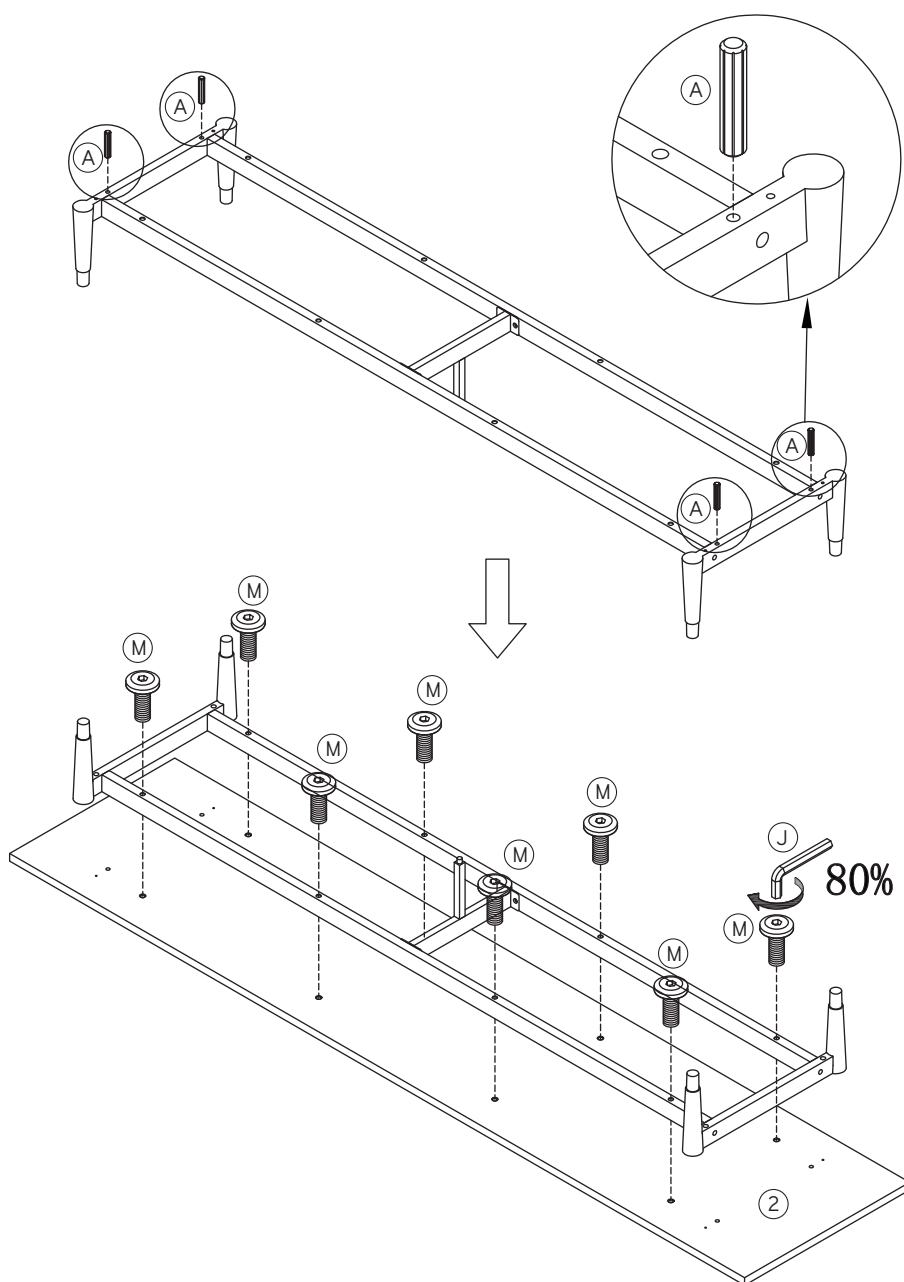
- 346018
- 346019



ISO 9001:2015  
Reg. No. 000435-1-MY-1-QMS

LUooma.com

2



## CODING

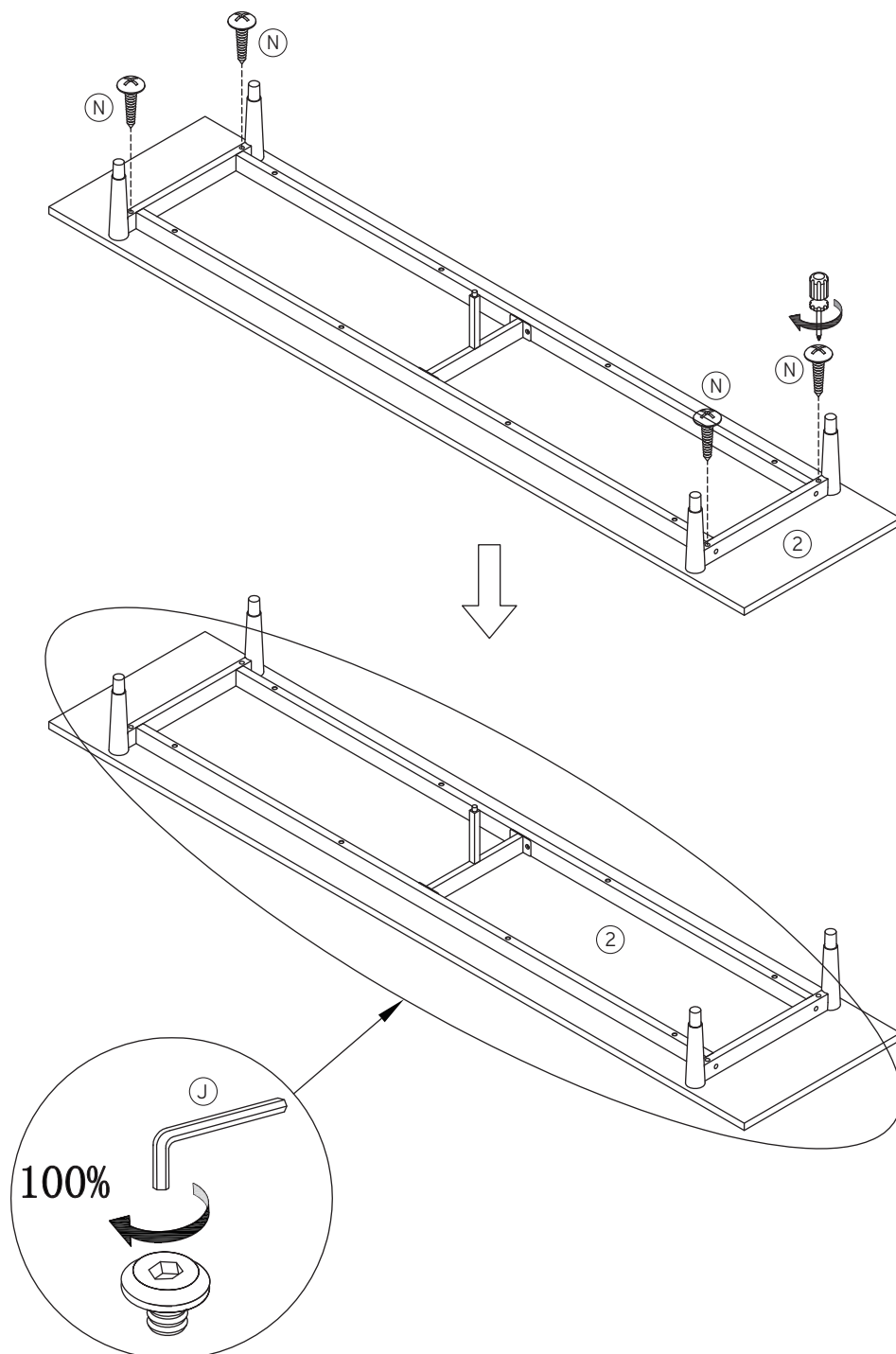
- 346018
- 346019



ISO 9001:2015  
Reg. No. 000435-1-MY-1-QMS

LUooma.com

3



## CODING

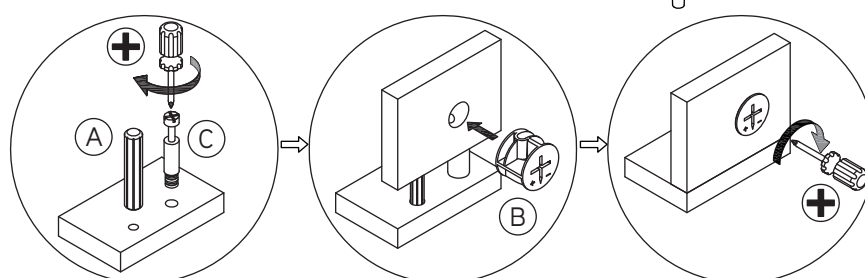
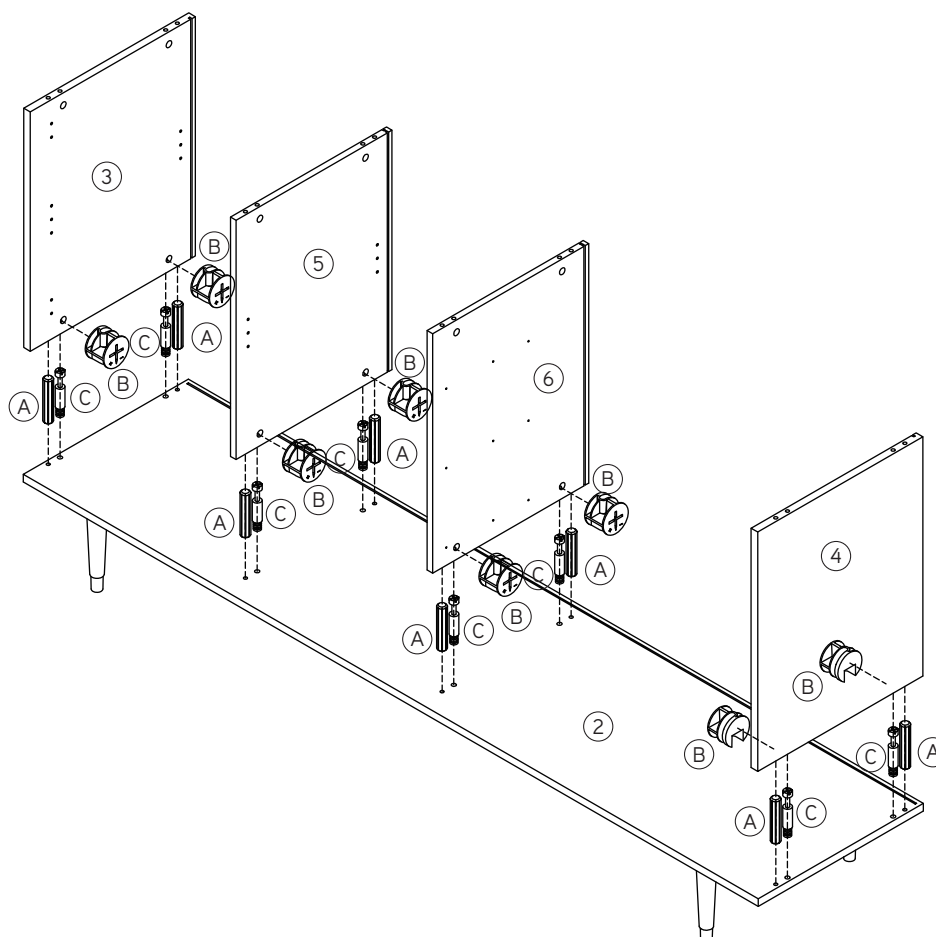
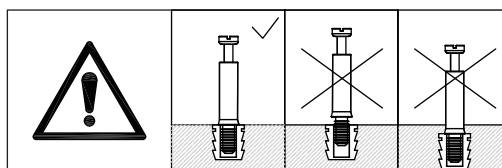
- 346018
- 346019



ISO 9001:2015  
Reg. No. 000435-1-MY-1-QMS

LUOMA.COM

4



## CODING

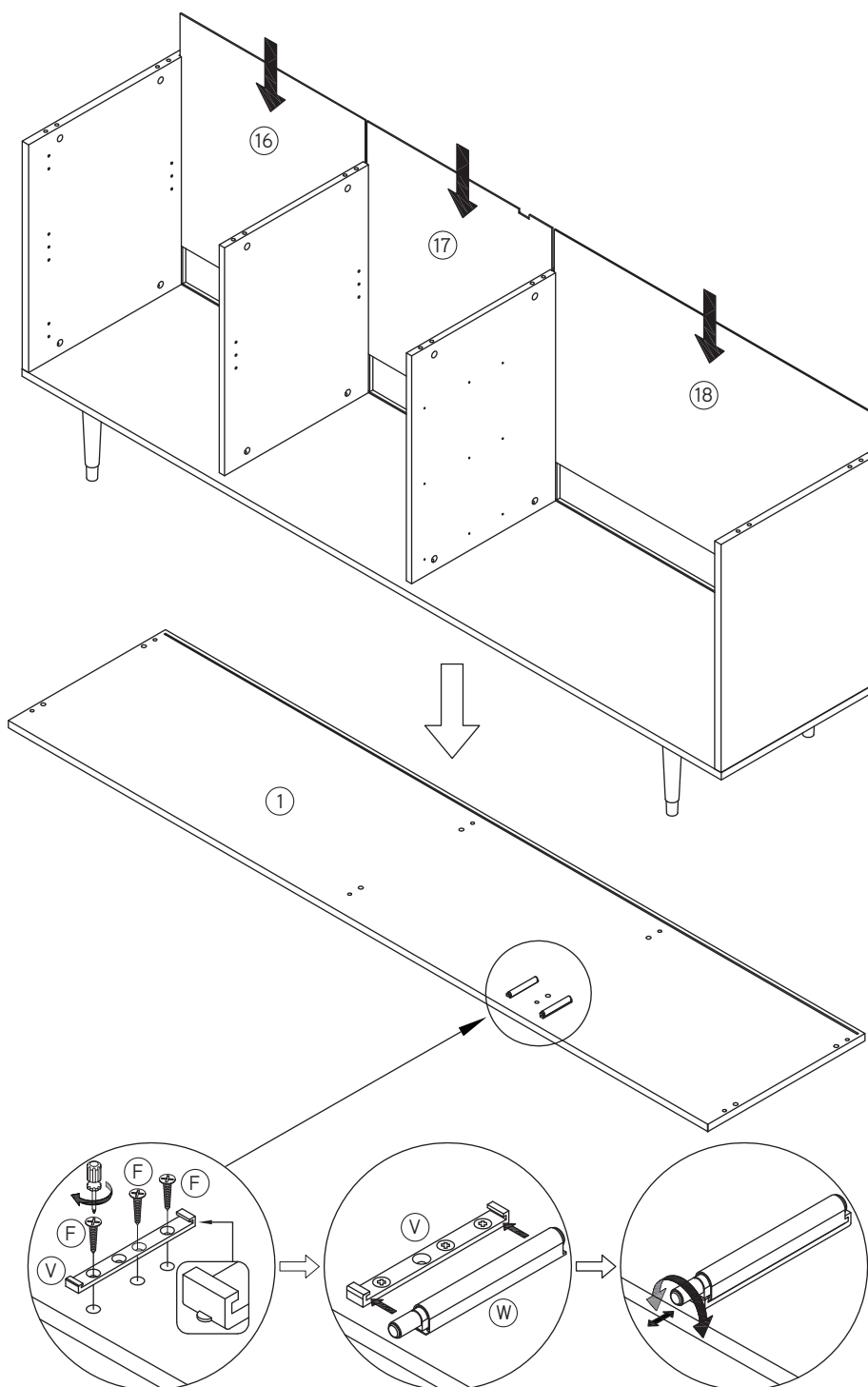
- 346018
- 346019



ISO 9001:2015  
Reg. No. 000435-1-MY-1-QMS

LUOMA.COM

5



## CODING

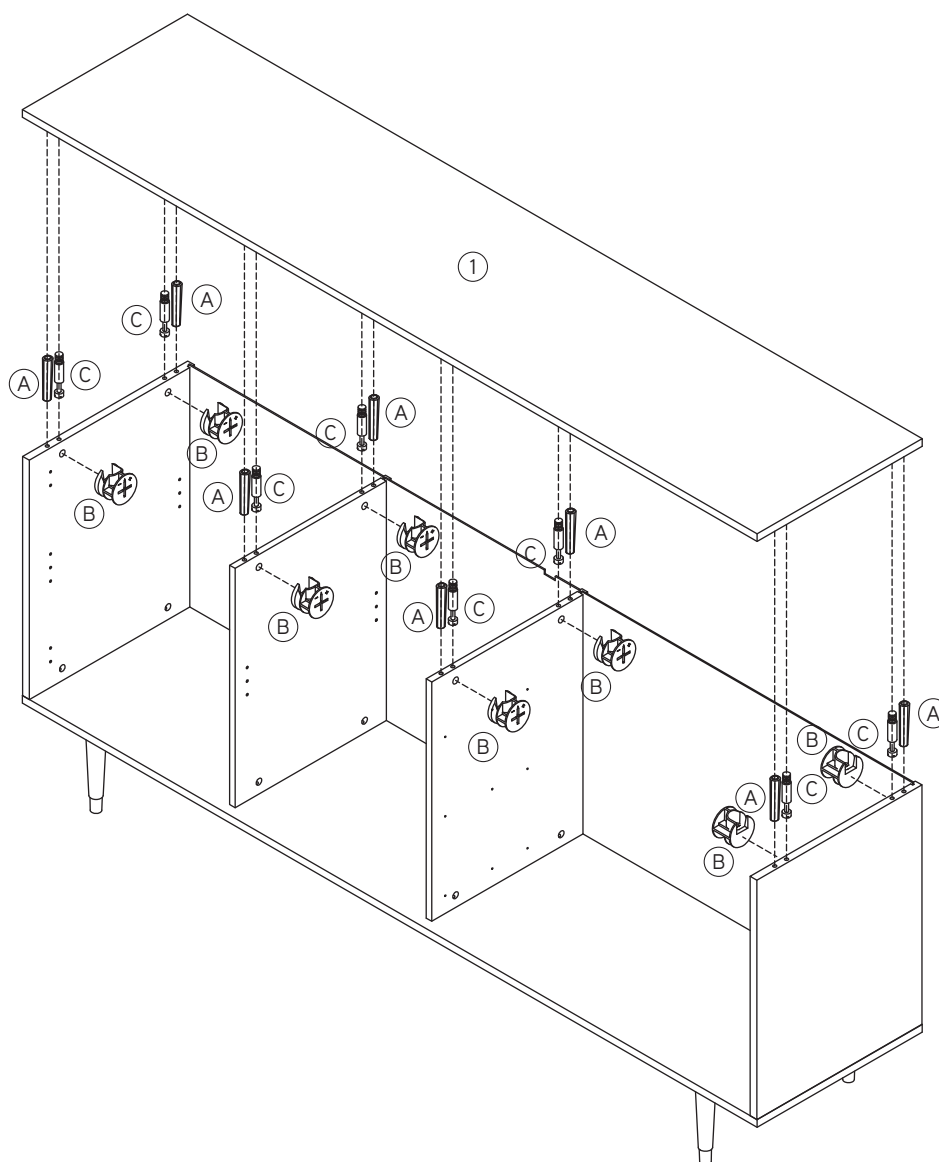
- 346018
- 346019



ISO 9001:2015  
Reg. No. 000435-1-MY-1-QMS

LUOMA.COM

6





## CODING

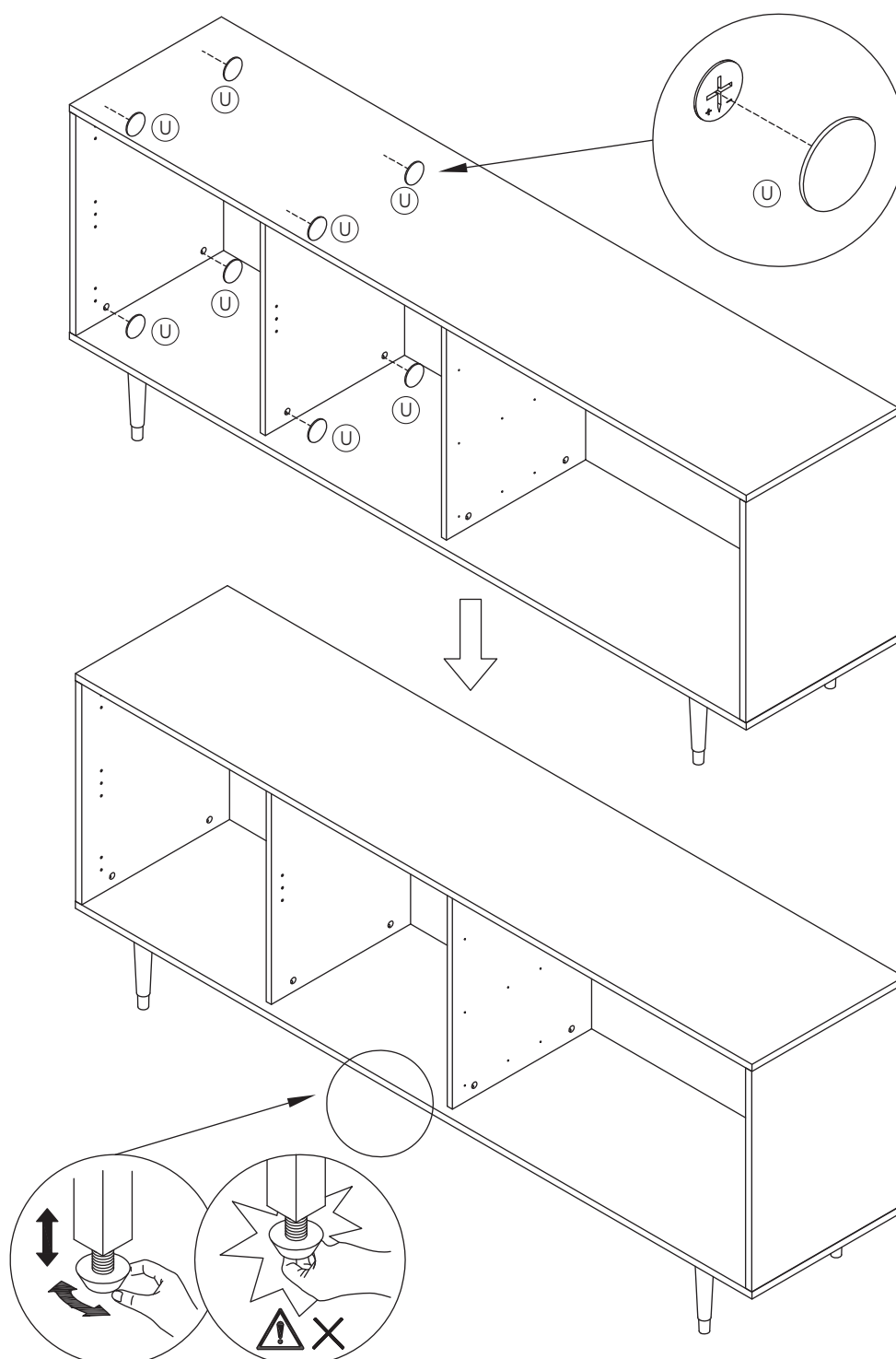
- 346018
- 346019



ISO 9001:2015  
Reg. No. 000435-1-MY-1-QMS

LUOMA.COM

7



## CODING

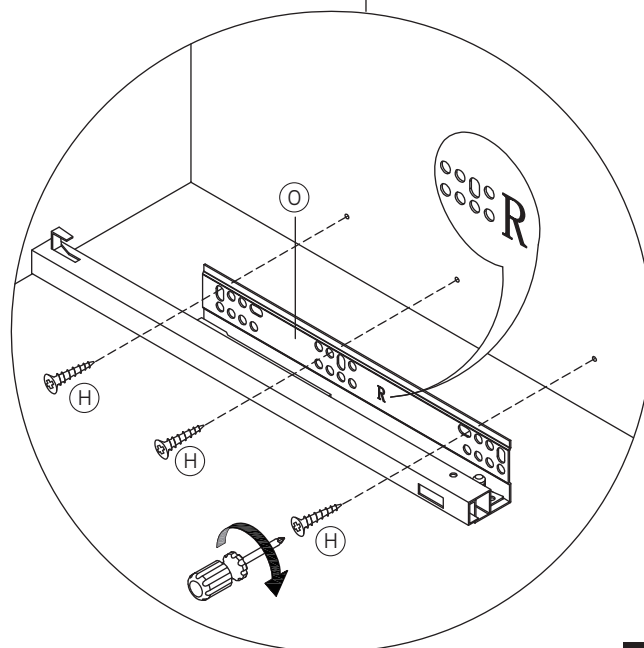
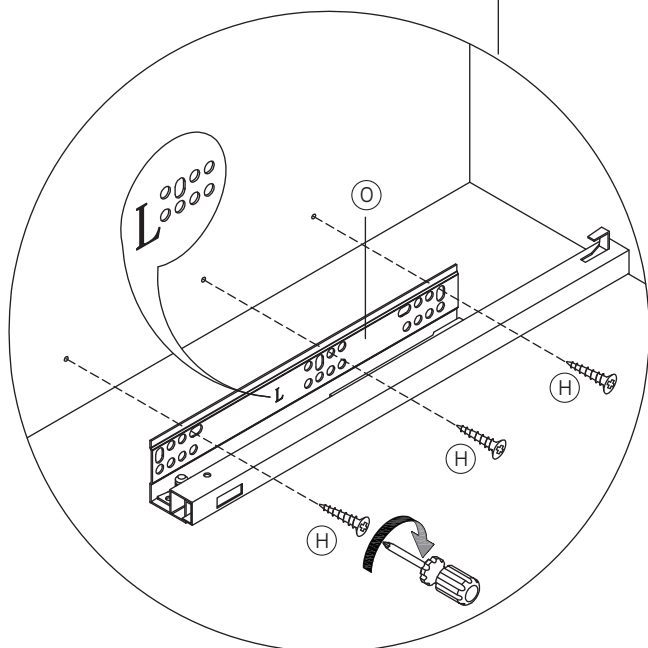
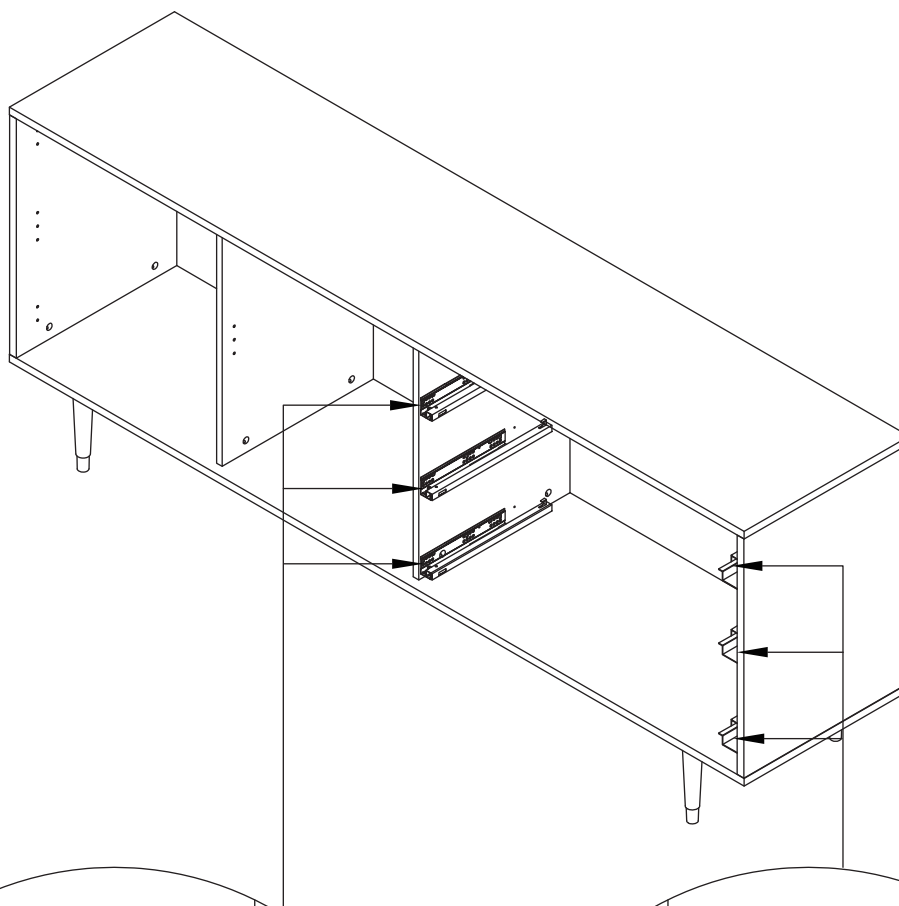
- 346018
- 346019



ISO 9001:2015  
Reg. No. 000435-1-MY-1-QMS

LUooma.com

8



## CODING

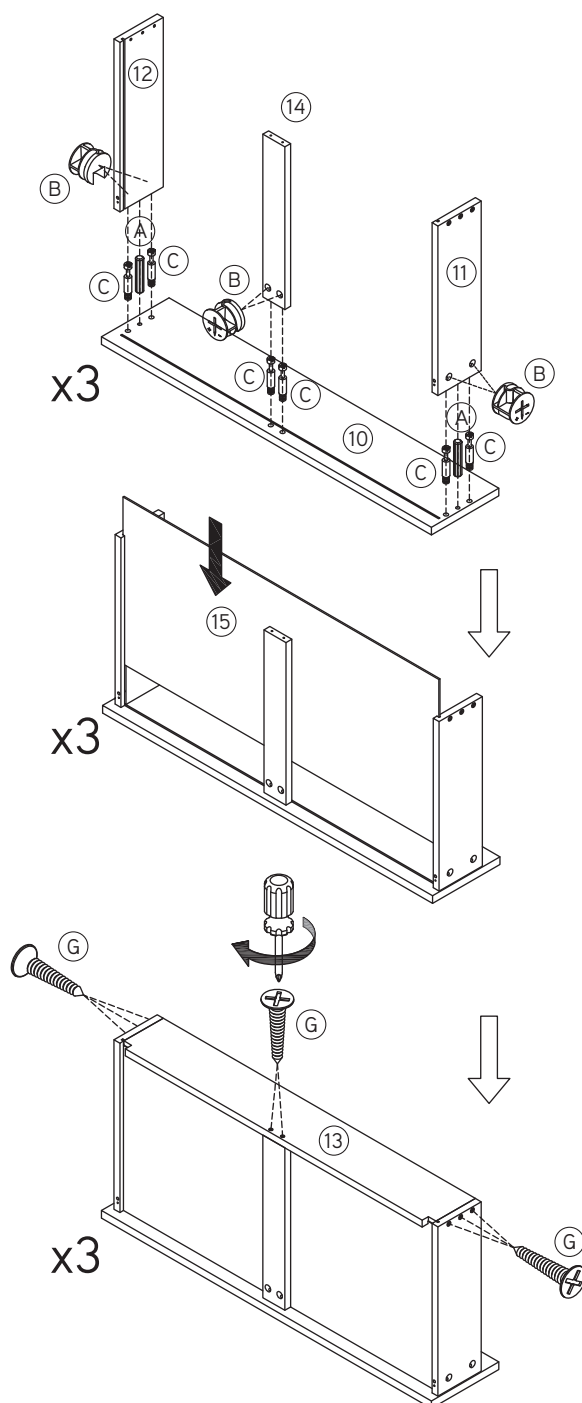
- 346018
- 346019



ISO 9001:2015  
Reg. No. 000435-1-MY-1-QMS

LUOMA.COM

9



## CODING

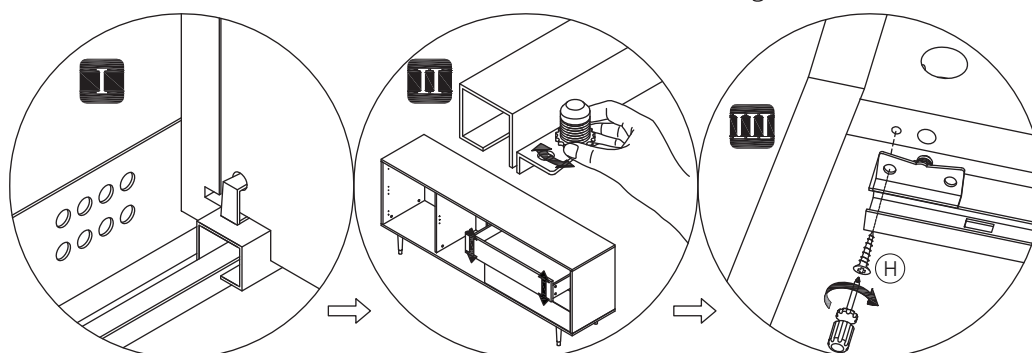
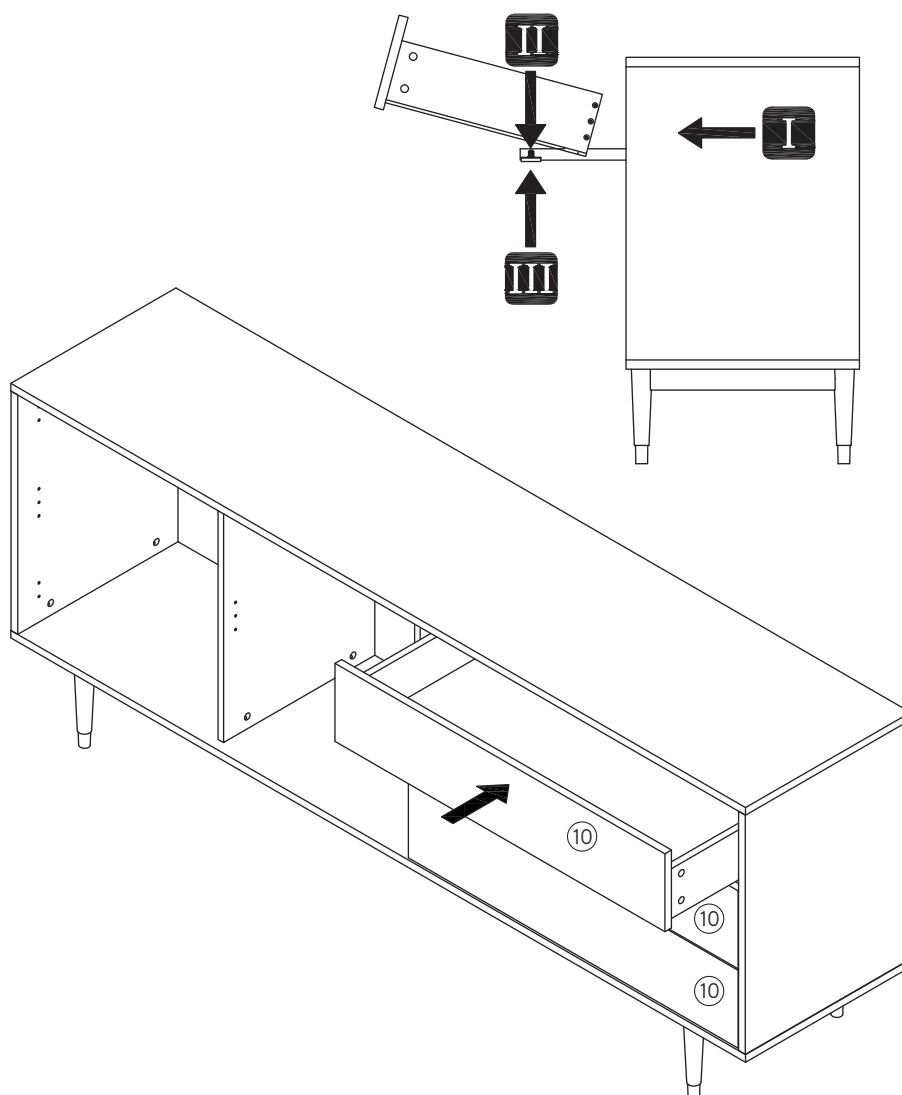
- 346018
- 346019



ISO 9001:2015  
Reg. No. 000435-1-MY-1-QMS

LUooma.com

10



## CODING

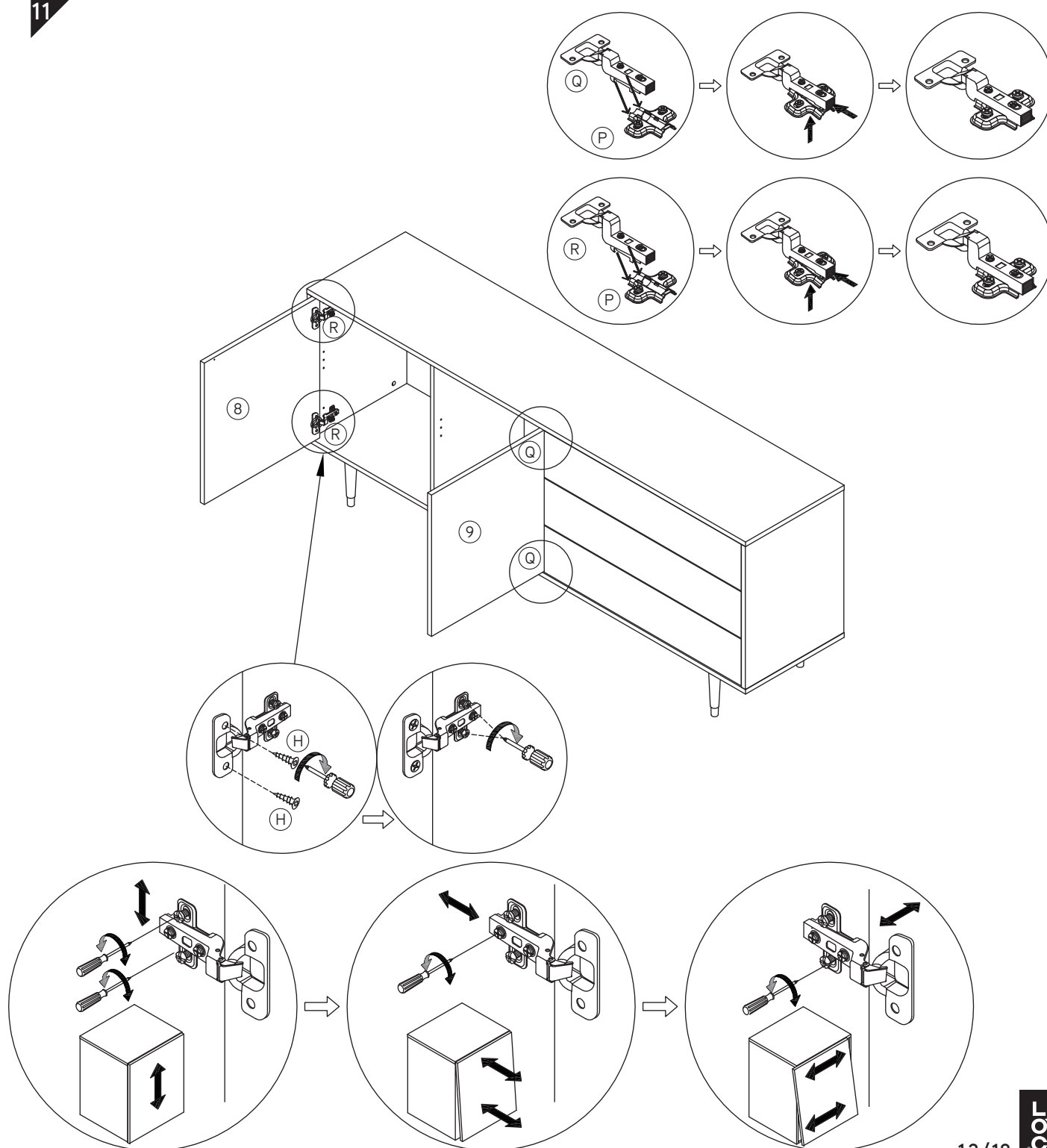
- 346018
- 346019



ISO 9001:2015  
Reg. No. 000435-1-MY-1-QMS

LUOMA.COM

11



## CODING

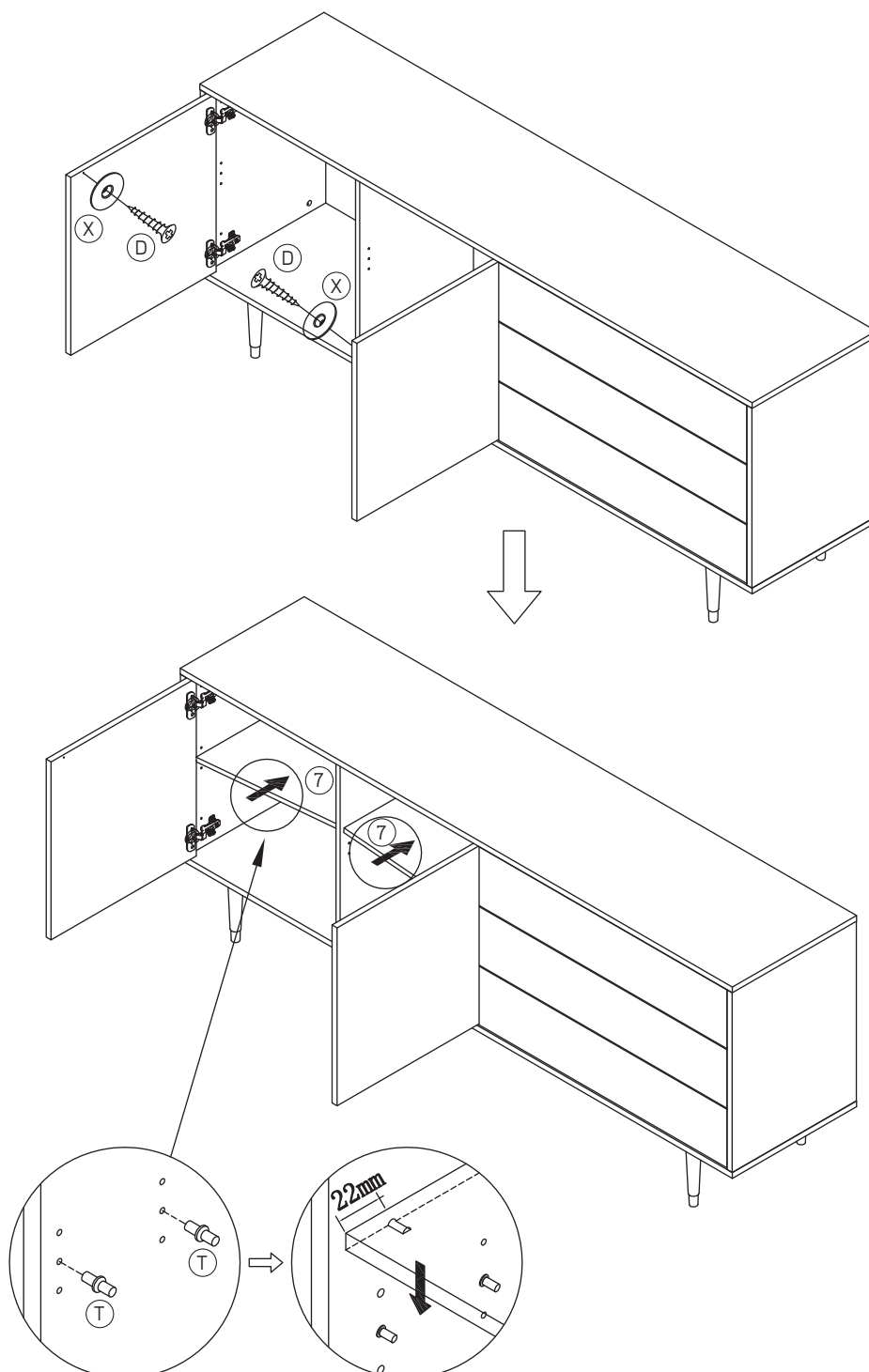
- 346018
- 346019



ISO 9001:2015  
Reg. No. 000435-1-MY-1-QMS

LUooma.com

12



## CODING

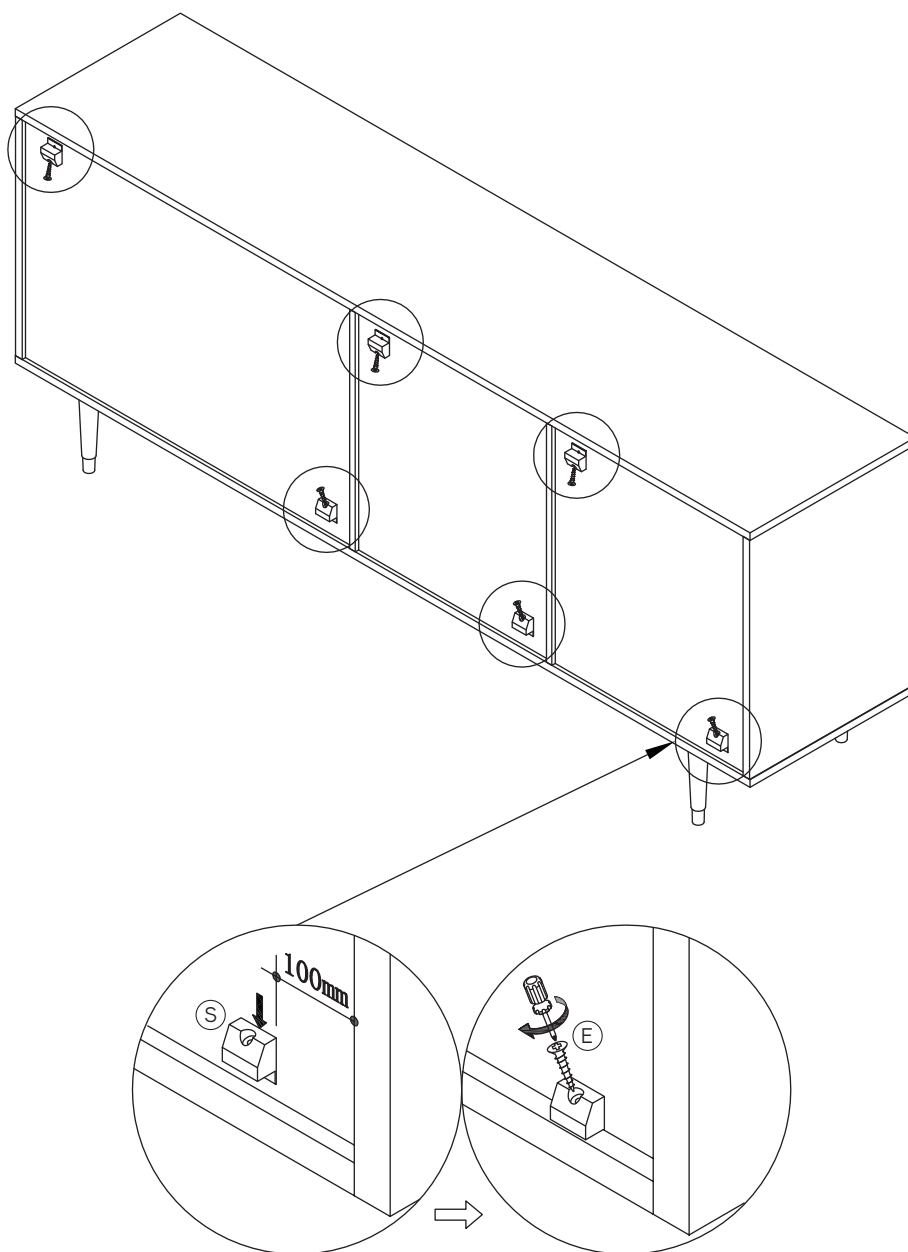
- 346018
- 346019



ISO 9001:2015  
Reg. No. 000435-1-MY-1-QMS

LUOMA.COM

13



## CODING

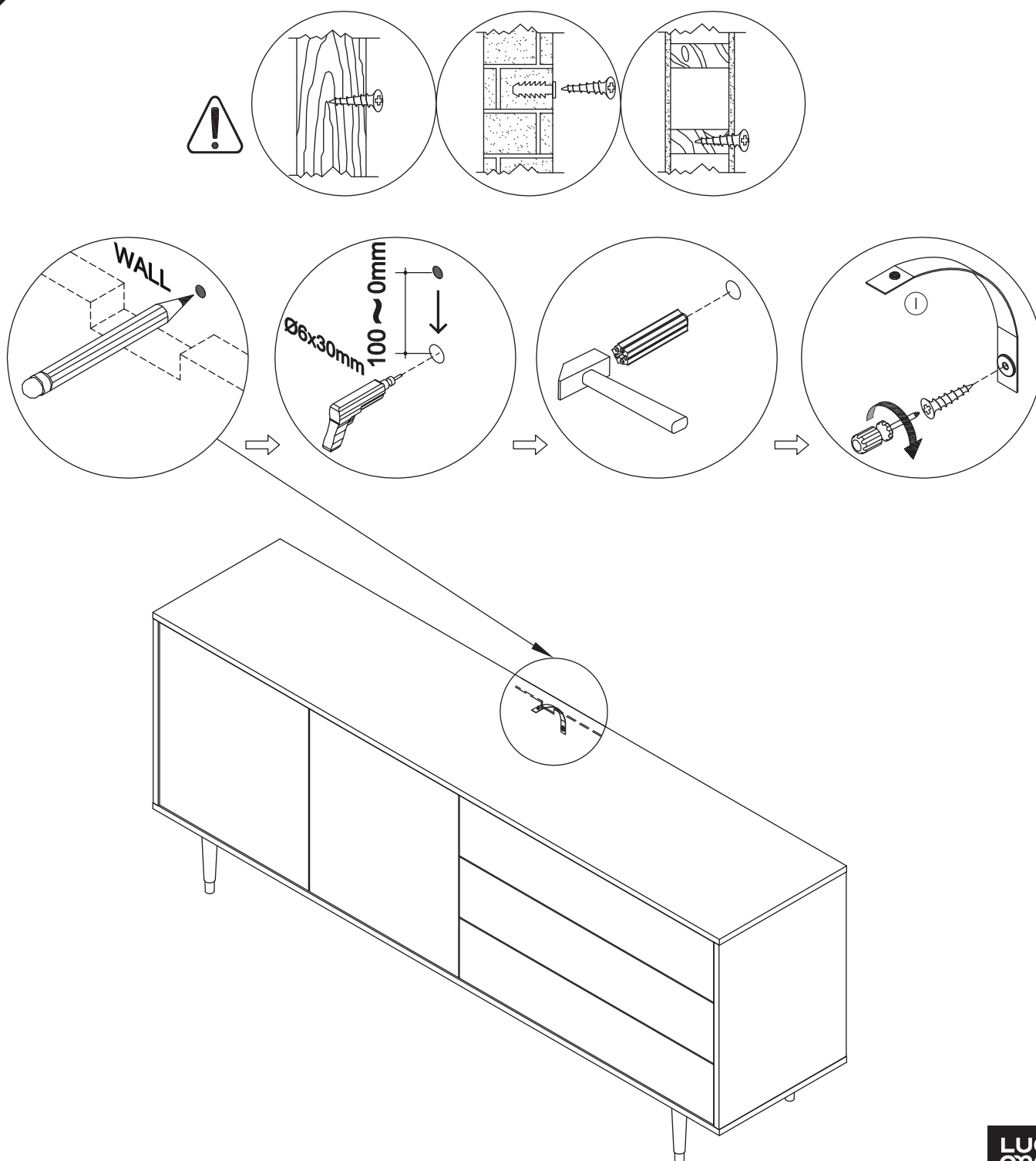
- 346018
- 346019



ISO 9001:2015  
Reg. No. 000435-1-MY-1-QMS

LUOMA.COM

14





## CODING

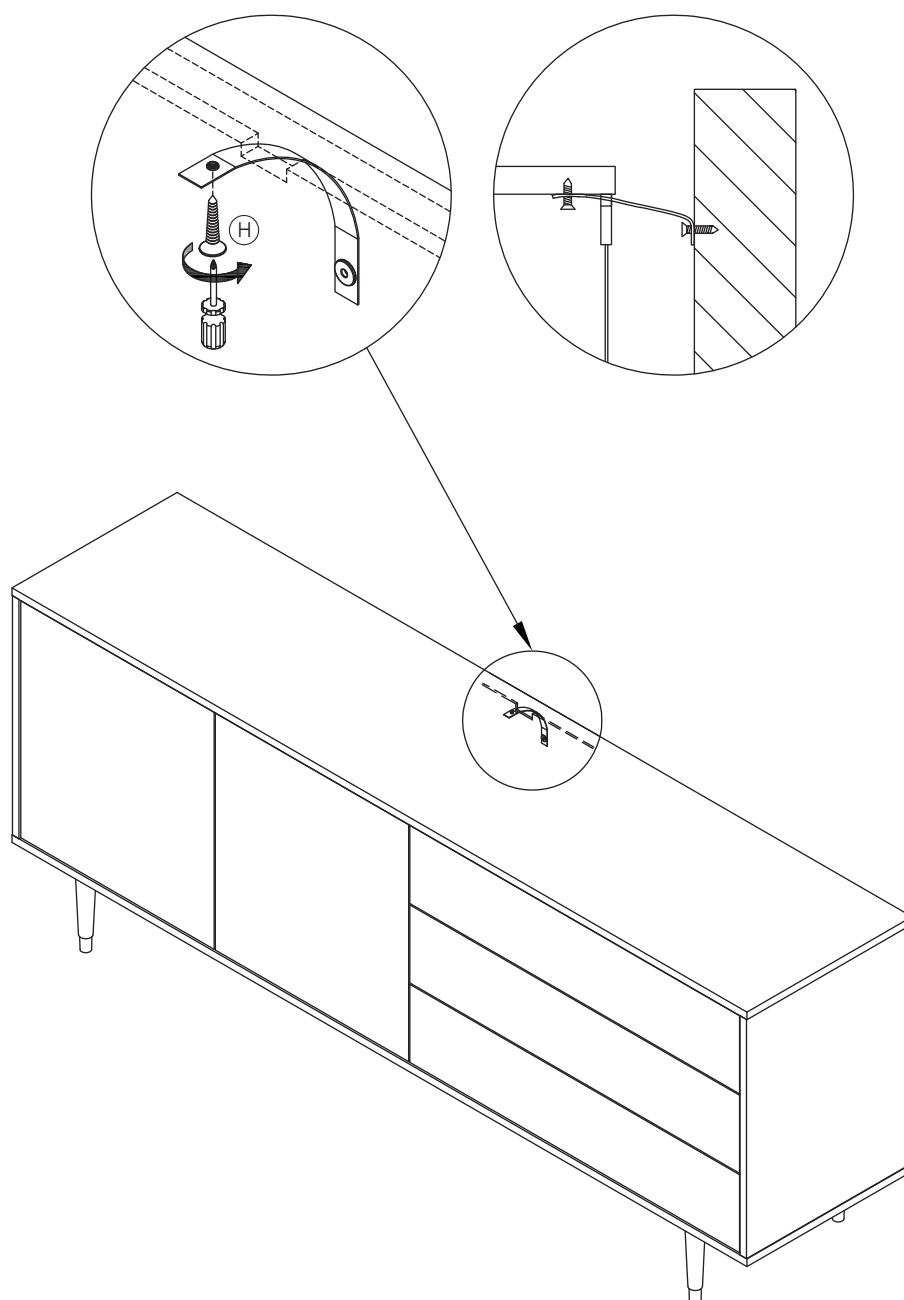
- 346018
- 346019



ISO 9001:2015  
Reg. No. 000435-1-MY-1-QMS

LUOMA.COM

15



## CODING

- 346018
- 346019



ISO 9001:2015  
Reg. No. 000435-1-MY-1-QMS

LUooma.com

16

