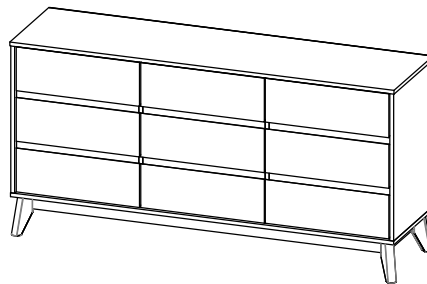


**CODING**  
- 345050



ISO 9001:2015  
Reg. No. 000435-1-MY-1-QMS

**nuhoom.com**

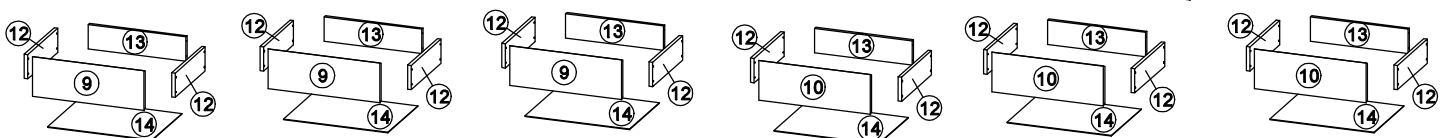
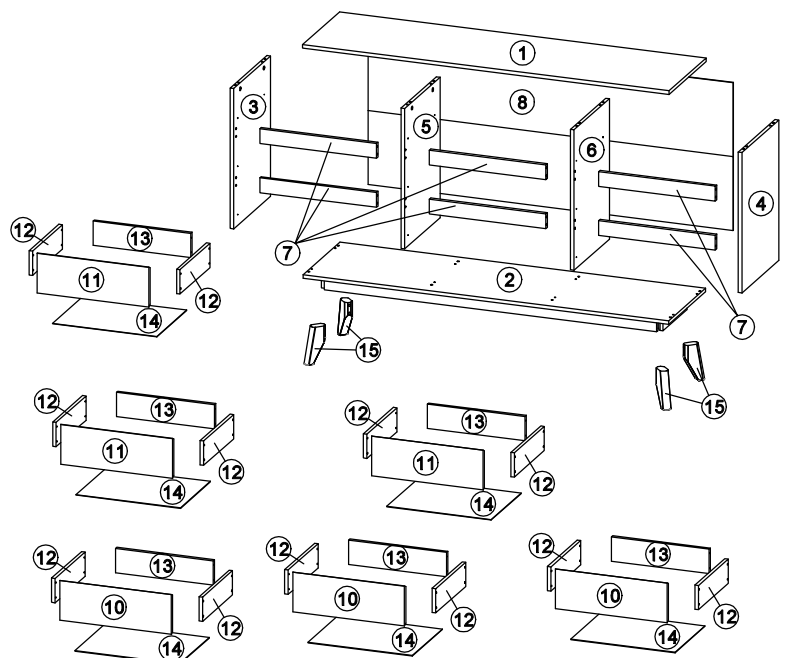
Read the instructions carefully. Remove all the wrappings, staples and straps from the carton. Refer to the hardware and furniture part list for guidance. Make sure that you have all the parts before you start assembling. Place all the wooden furniture parts on a clean, flat and soft surface, such as a carpet or rubbermat to prevent scratches.

CAUTION  
KEEP ALL THE PARTS OUT OF CHILDREN'S REACH.

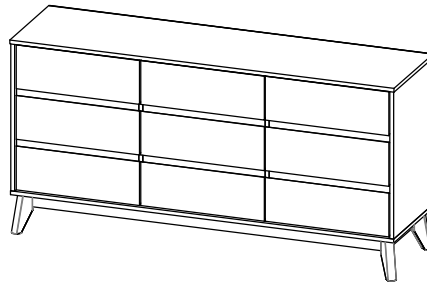
PART LIST		QTY
1	TOP PANEL	1 PC
2	BOTTOM PANEL	1 PC
3	SIDE PANEL (L)	1 PC
4	SIDE PANEL (R)	1 PC
5	CENTER PANEL (L)	1 PC
6	CENTER PANEL (R)	1 PC
7	BONE PANEL	6 PCS
8	BACK PANEL	1 PC
9	DRAWER FRONT (L)	3 PCS
10	DRAWER FRONT (CENTER)	3 PCS
11	DRAWER FRONT (R)	3 PCS
12	DRAWER SIDE	18 PCS
13	DRAWER BACK </td <td>9 PCS</td>	9 PCS
14	DRAWER BOTTOM	9 PCS
15	LEG	4 PCS

HARDWARE			
A	MINI FIX	A1  A2  A3	8 PCS
B	M8 X 30MM WOOD DOWEL		40 PCS
C	M6 X 50MM CSK CAP WOOD SCREW		8 PCS
D	5/8 NAIL		98 PCS
E	ALLEN KEY M4		1 PC
F	ONE HOLE L BRACKET (2MM)		12 PCS
G	M3.5 X 16MM C.B SCREW		132 PCS
H	M4 X 38MM C.B SCREW		72 PCS
I	14" DRAWER SLIDE	I1 (L/R) I2 (L/R)	9 SETS
J	JCBC Screw M6 x 70		8 PCS
K	SPRING WASHER M6		8 PCS
L	FLAT WASHER M6		8 PCS
M	TIPPING PACK	M1  M2  M3  M4  M5	2 SETS

SELF-PREPARED TOOLS: Tools below are NOT included in package.	
SCREWDRIVER	HAMMER



**CODING**  
- 345050

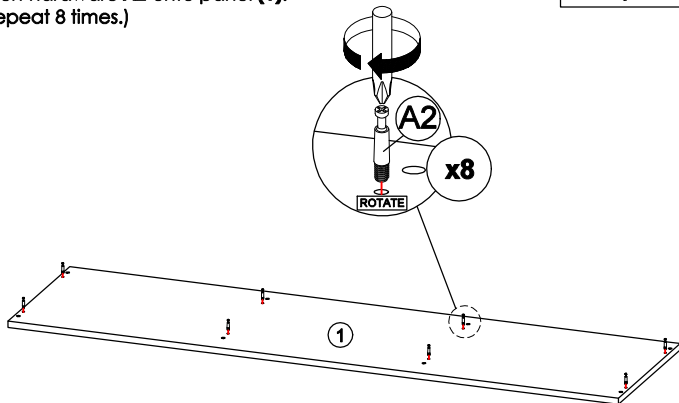


ISO 9001:2015  
Reg. No. 000435-1-MY-1-Q045

nuhoom.com

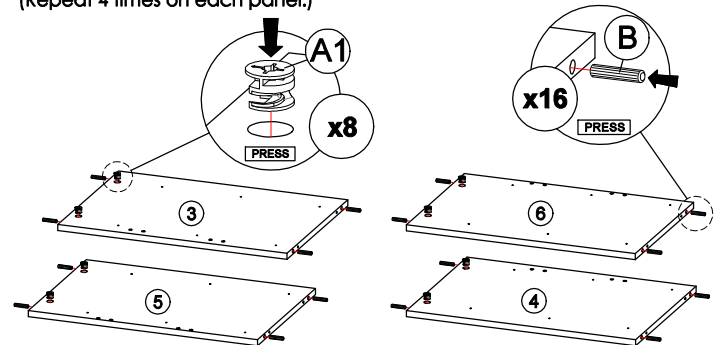
**STEP 1**

Insert hardware **A2** onto panel **(1)**.  
(Repeat 8 times.)



**STEP 2**

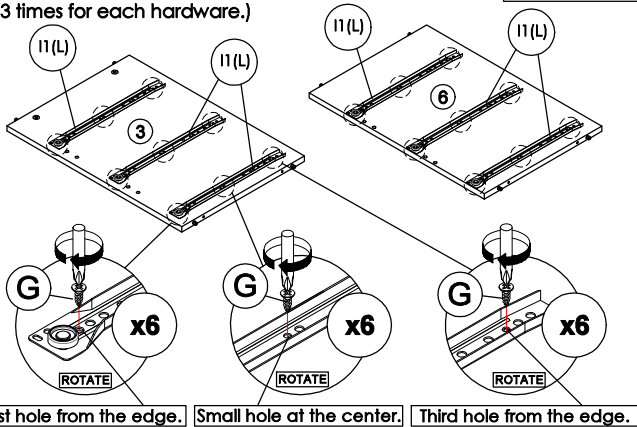
- Insert hardware **A1** onto panel **(3), (4), (5)** and **(6)**.  
(Repeat 2 times on each panel.)  
- Insert hardware **B** onto panel **(3), (4), (5)** and **(6)**.  
(Repeat 4 times on each panel.)



\* Ensure the arrows on hardware **A1** point towards mounting positions.

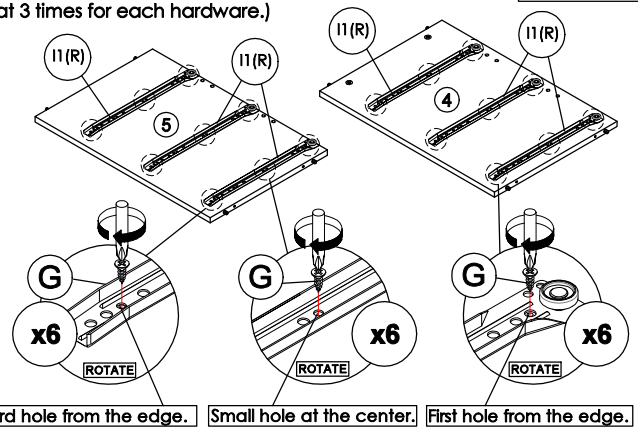
**STEP 3**

Fix hardware **I1 (L)** into panel **(3)** and **(6)** with hardware **G**.  
(Repeat 3 times for each hardware.)



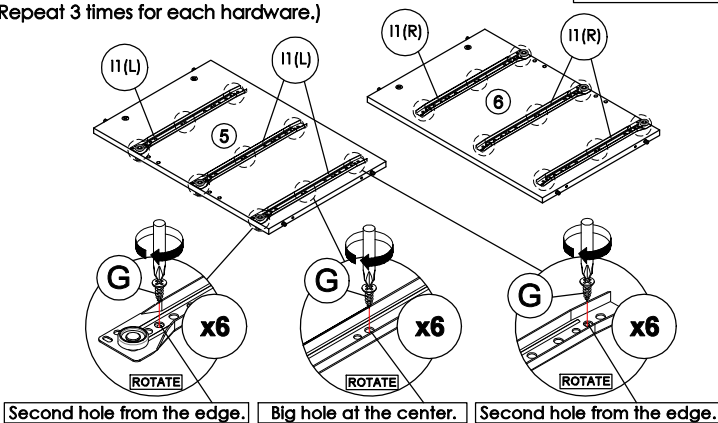
**STEP 4**

Fix hardware **I1 (R)** into panel **(4)** and **(5)** with hardware **G**.  
(Repeat 3 times for each hardware.)



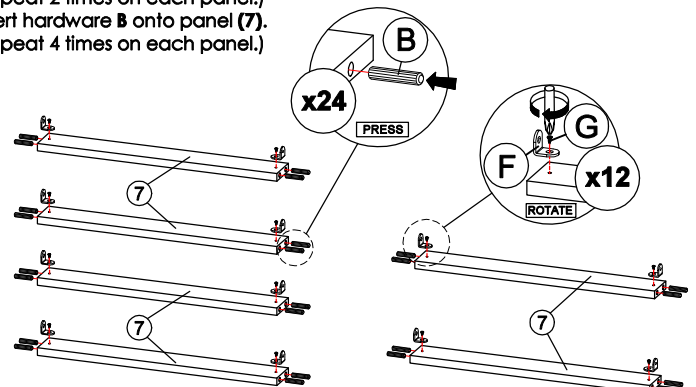
**STEP 5**

Fix hardware **I1 (L/R)** into panel **(5)** and **(6)** with hardware **G**.  
(Repeat 3 times for each hardware.)

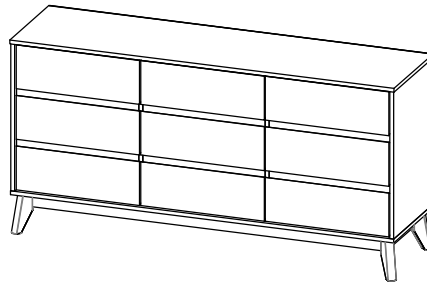


**STEP 6**

- Assemble hardware **F** to panel **(7)** with hardware **G**.  
(Repeat 2 times on each panel.)  
- Insert hardware **B** onto panel **(7)**.  
(Repeat 4 times on each panel.)



**CODING**  
- 345050

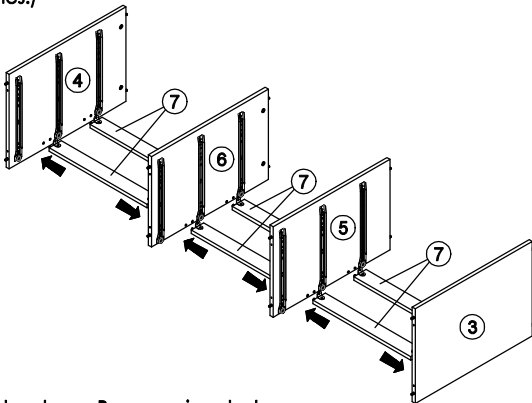


ISO 9001:2015  
Reg. No. 000436-1-MY-1-Q008

nuhoom.com

**STEP 7**

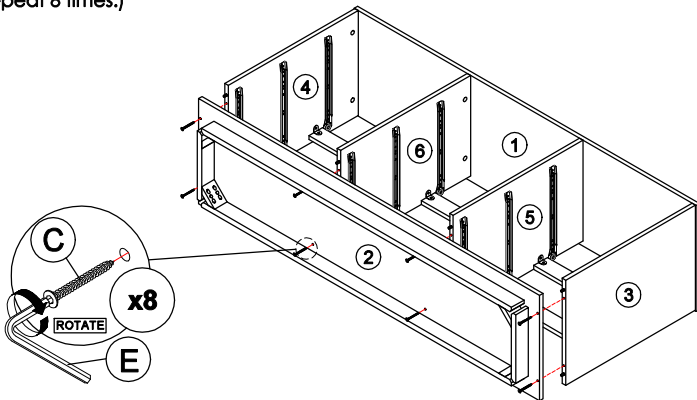
Attach panel (7) to panel (3), (4), (5) and (6).  
(Repeat 6 times.)



\* In this step hardware B are pre-inserted.

**STEP 9**

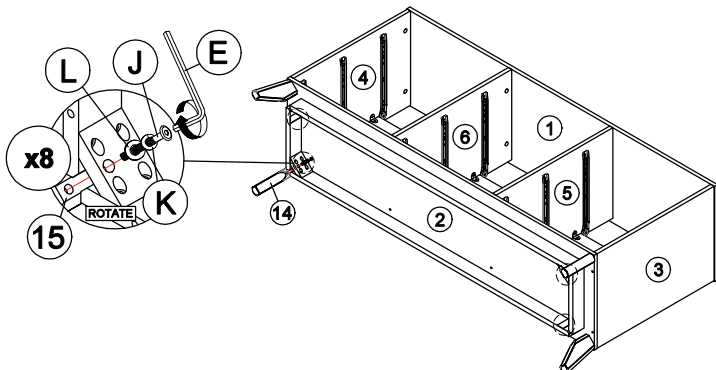
Connect panel (2) to panel (3), (4), (5) and (6) by using hardware C and E.  
(Repeat 8 times.)



\* In this step hardware B are pre-inserted.

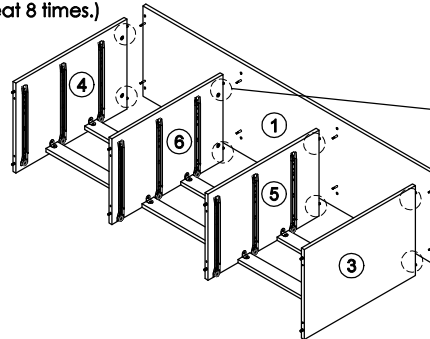
**STEP 11**

Assemble part 15 into panel (2) by using hardware E, J, K and L.  
(Repeat 2 times for each Leg.)



**STEP 8**

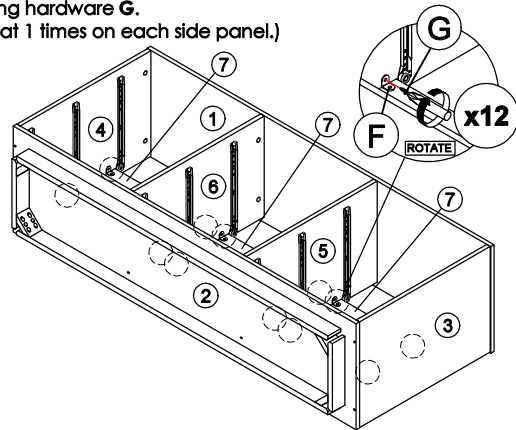
- Attach panel (3), (4), (5) and (6) to panel (1).  
- Insert all hardware A2 into A1.  
- Rotate all A1 until tight.  
- Apply A3 onto all A1.  
(Repeat 8 times.)



\* In this step hardware A1, A2 and B are pre-inserted.

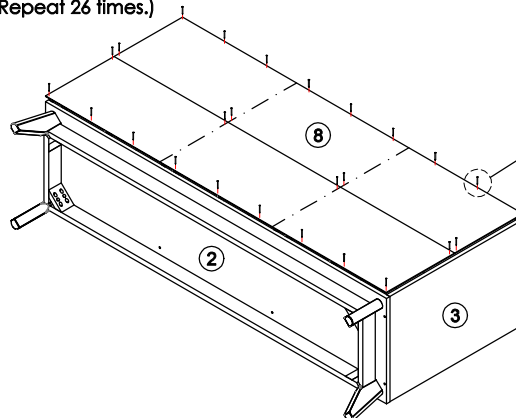
**STEP 10**

Assemble hardware F on panel (7) to panel (3), (4), (5) and (6) by using hardware G.  
(Repeat 1 times on each side panel.)

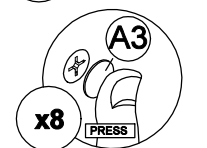
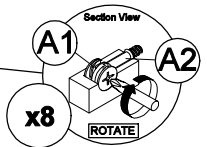
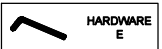


**STEP 12**

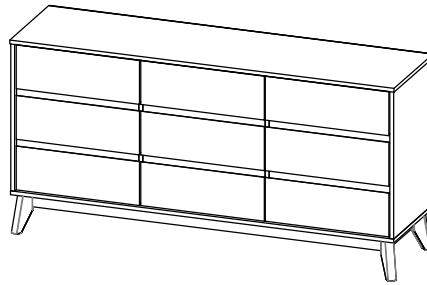
Assemble panel (8) to entire body with hardware D.  
(Repeat 26 times.)



OR



**CODING**  
- 345050



ISO 9001:2015  
Reg. No. 000435-1-MY-1-QM

nuhoom.com

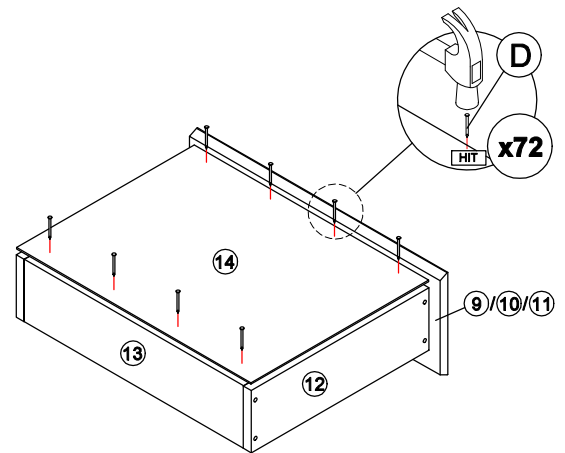
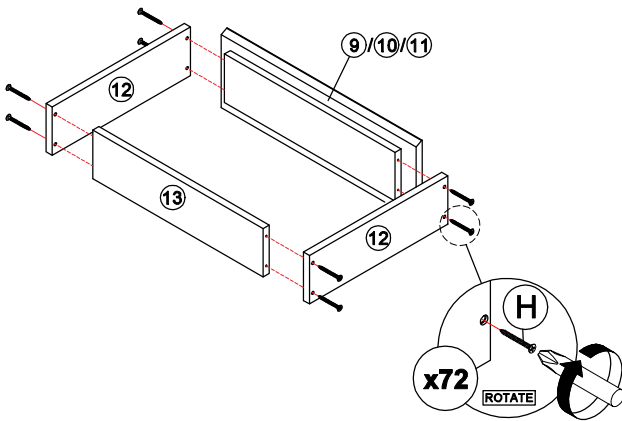
**STEP 13**

Assemble panel (12) with panel (9) or (10) or (11) and (13) by using hardware H.  
(Repeat 8 times for each drawer.)  
\* In this step only show one of the drawers.



**STEP 14**

Assemble panel (14) to entire body with hardware D.  
(Repeat 8 times for each drawer.)  
\* In this step only show one of the drawers.



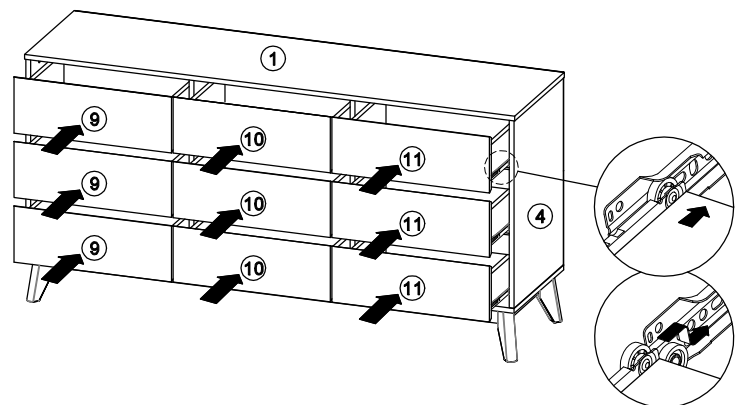
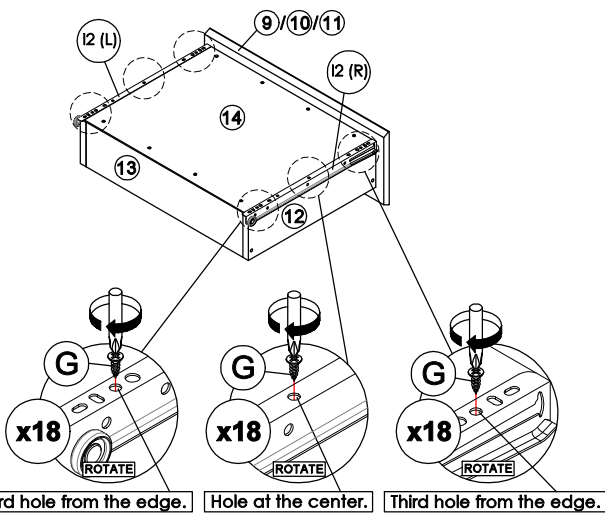
**STEP 15**

Assemble hardware 12 (L/R) to panel (14) by using hardware G.  
(Repeat 3 times for each hardware.)  
\* In this step only show one of the drawers.



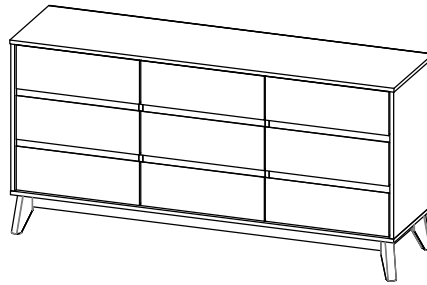
**STEP 16**

Put all the drawer in place along the drawer slides.



\*Hardware 12 (L/R) shall be leaning against panel (9) or (10) or (11) when assembling.

**CODING**  
- 345050

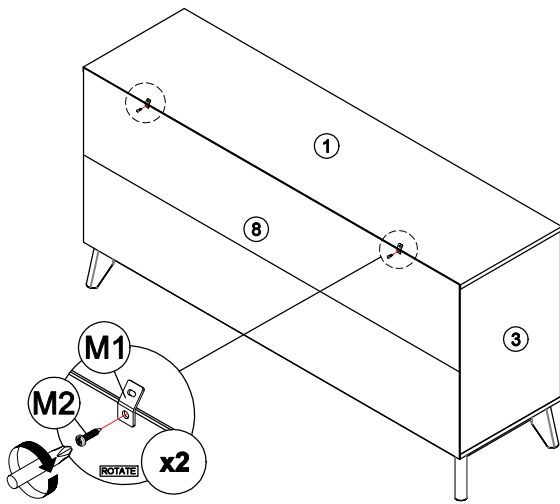


ISO 9001:2015  
Reg. No. 000435-1-MY-1-QMS

nuhoom.com

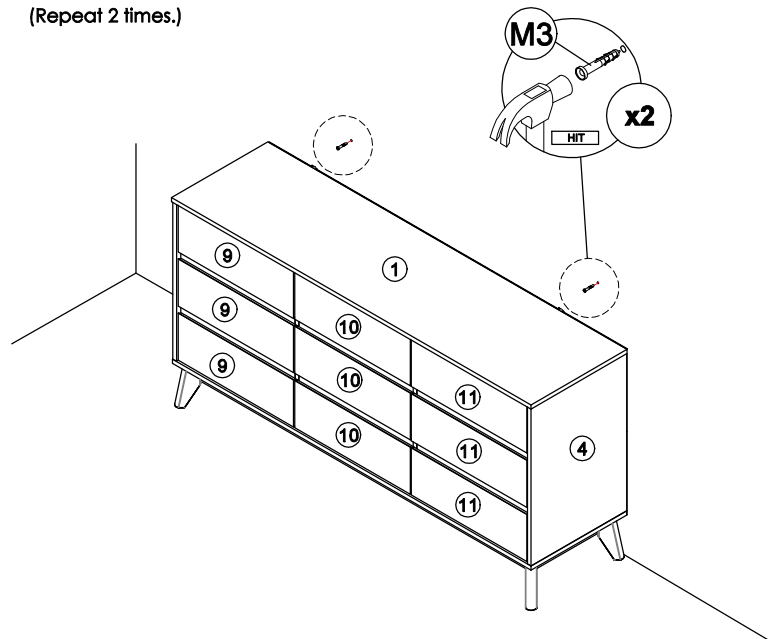
**STEP 17**

Assemble hardware **M1** into panel **(1)** and **(8)** by using hardware **M2**.  
(Repeat 2 times.)



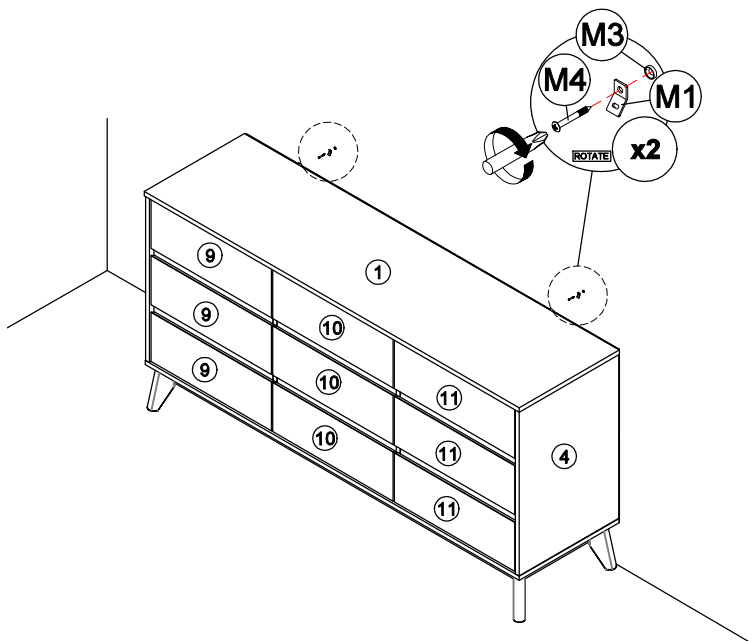
**STEP 18**

- Mark and use the power drill to drill a hole on the wall.  
- Hit hardware **M3** into the wall.  
(Repeat 2 times.)



**STEP 19**

Assemble hardware **M1** to **M3** by using hardware **M4**.  
(Repeat 2 times.)



**STEP 20**

- Connect two of the hardware **M1** by using hardware **M5**.  
- Tighten the hardware **M5**.  
(Repeat 2 times.)

