

CODING

- 345023
- 345022



ISO 9001:2015
Reg. No. 000435-1-MY-1-QMS

nesthouz.com

Read the instructions carefully. Remove all the wrappings, staples and straps from the carton. Refer to the hardware and furniture part list for guidance. Make sure that you have all the parts before you start assembling. Place all the wooden furniture parts on a clean, flat and soft surface, such as a carpet or rubbermat to prevent scratches.

CAUTION

KEEP ALL THE PARTS OUT OF CHILDREN'S REACH.

ITEM	PHOTO	HAREWARE NAME	QTY
(A)		MINIFIX M5 X 29MM	30
(B)		CAM 15/12	30
(C)		DOWEL Ø8 X 30MM	24
(D)		UNITAR SCREW 6.3 X 50MM	10
(E)		CSK SCREW (4.7 x 38mm)	16
(F)		CSK SCREW 3.5 X 15MM	49

ITEM	PHOTO	HAREWARE NAME	QTY
(G)		EURO SCREW	16
(H)		CSK SCREW 3.1 X 20MM	16
(I)		DRAWER SLIDE (300MM)	4 SET
(J)		SLIDING DOOR FITTINGS	4 SET
(K)		BACKPLY STOPPER	16
(L)		SAFETY STRAP	1
(M)		M4 ALLEN KEY	1

CODING

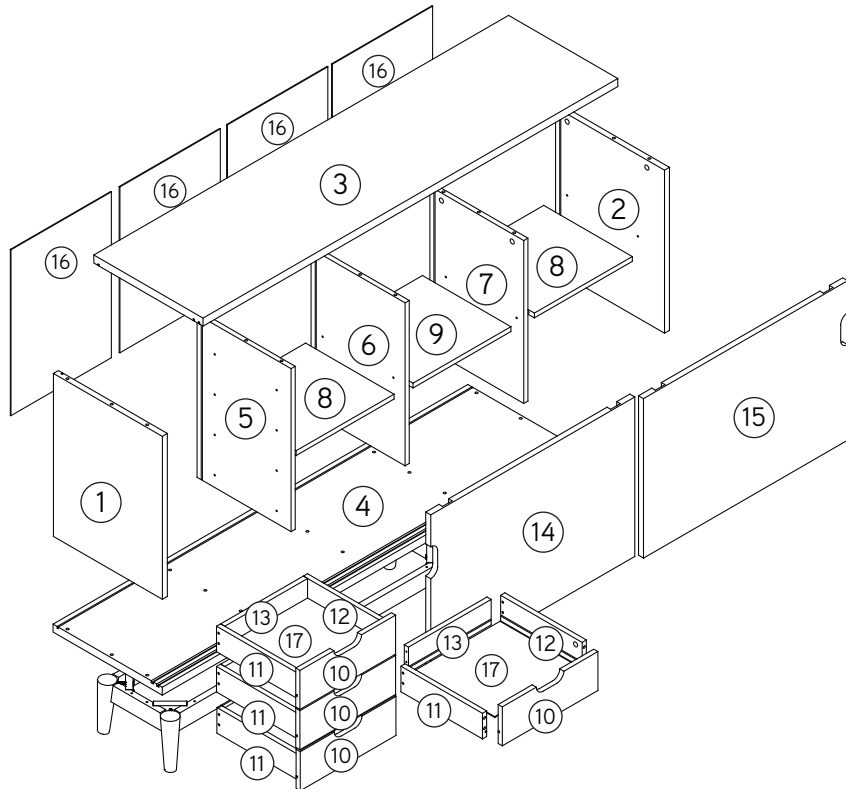
- 345023
- 345022



ISO 9001:2015
Reg. No. 000435-1-MY-1-QMS

nesthouz.com

ITEM	PART LIST	QTY
①	Side Panel	1
②	Side Panel	1
③	Top Panel	1
④	Bottom Panel	1
⑤	Centre Panel	1
⑥	Centre Panel	1
⑦	Centre Panel	1
⑧	Fix panel	2
⑨	Fix panel	1
⑩	Drawer Front Panel	4
⑪	Drawer Side Panel	4
⑫	Drawer Side Panel	4
⑬	Drawer Back Panel	4
⑭	Sliding Door Panel	1
⑮	Sliding Door Panel	1
⑯	Back Panel	4
⑰	Drawer Bottom Panel	4

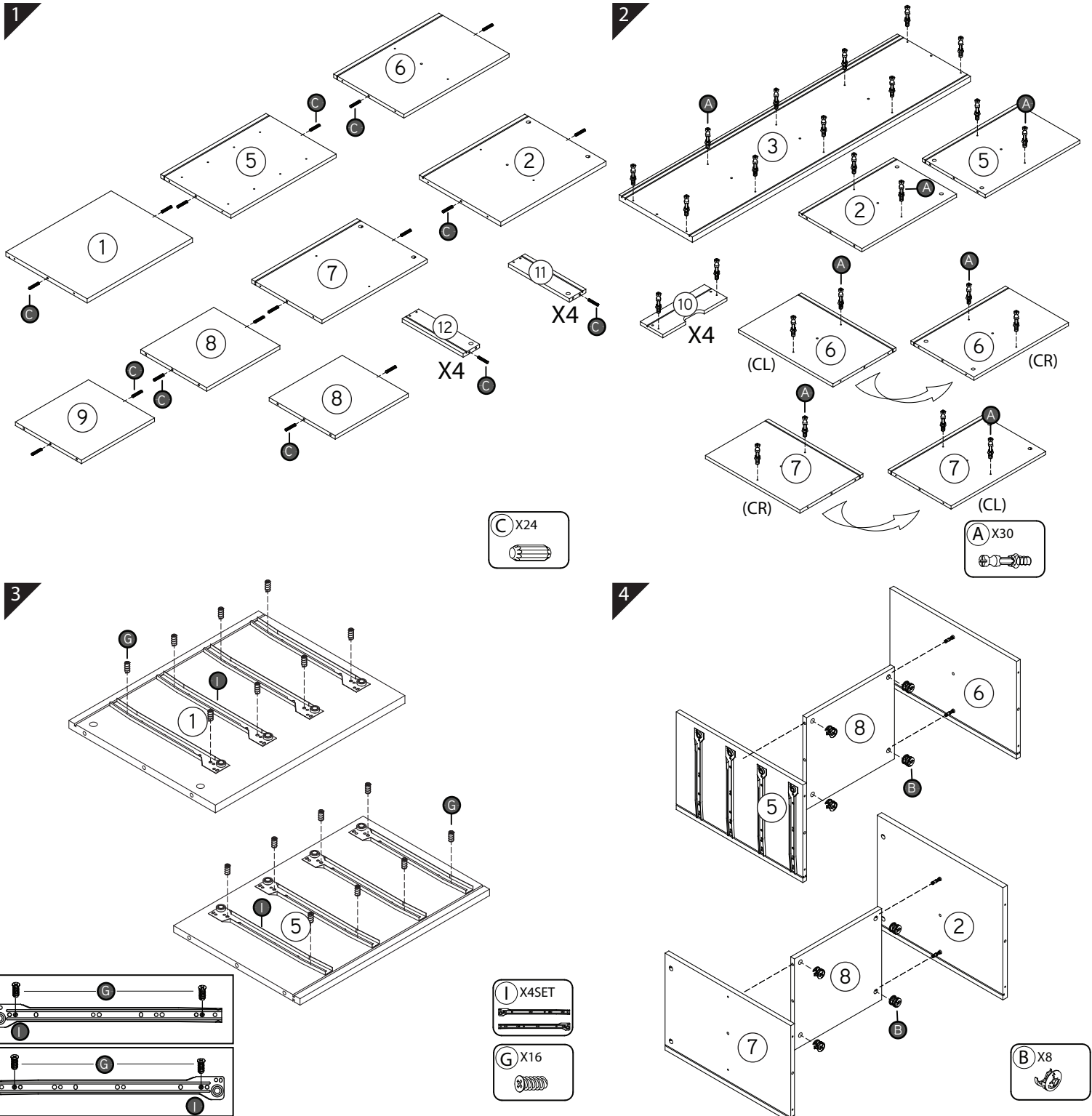


CODING
 - 345023
 - 345022



ISO 9001:2015
 Reg. No. 000435-1-MY-1-QMS

nesthouz.com

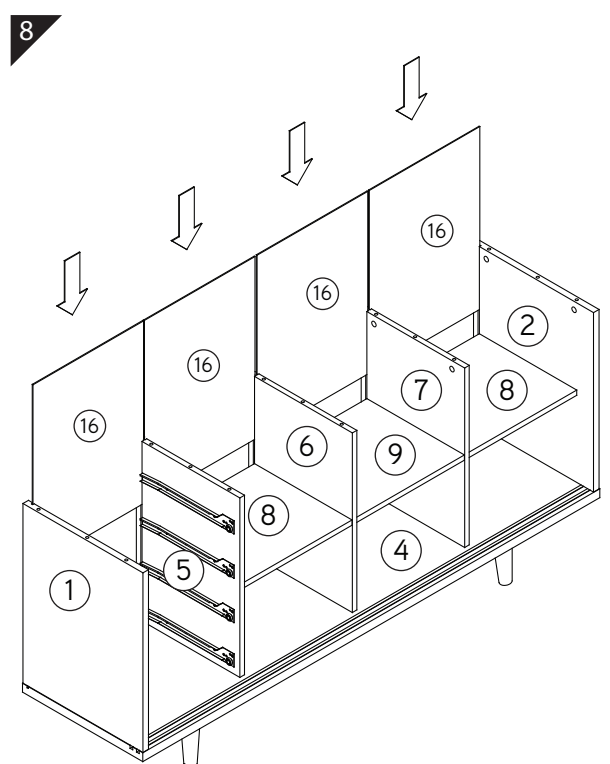
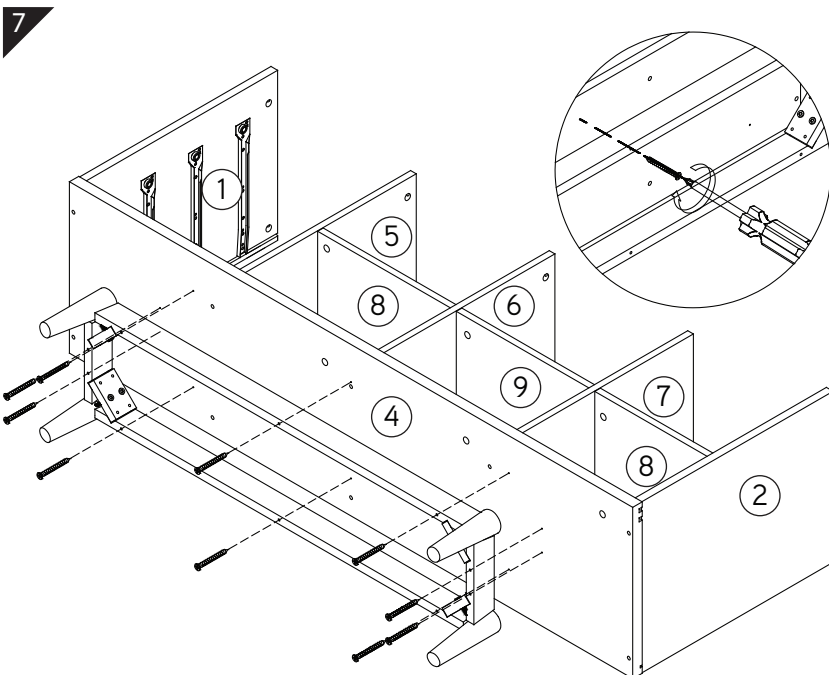
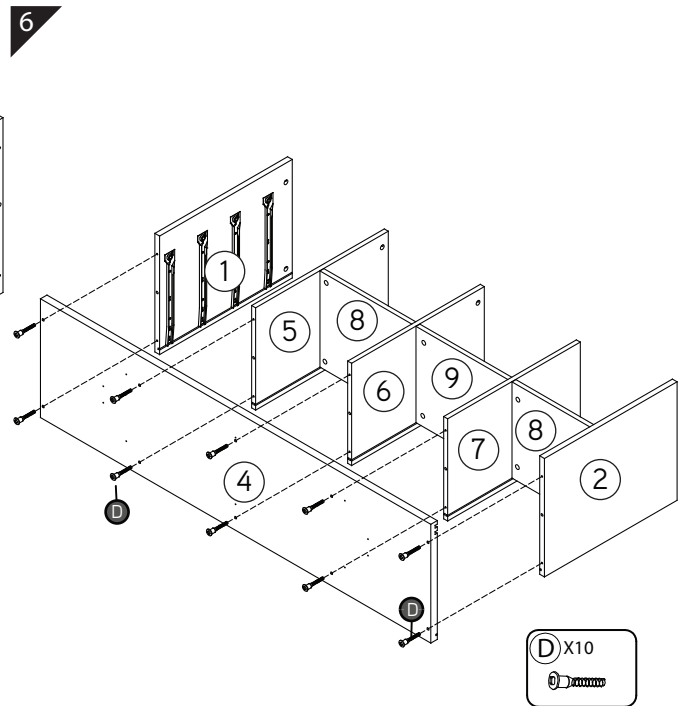
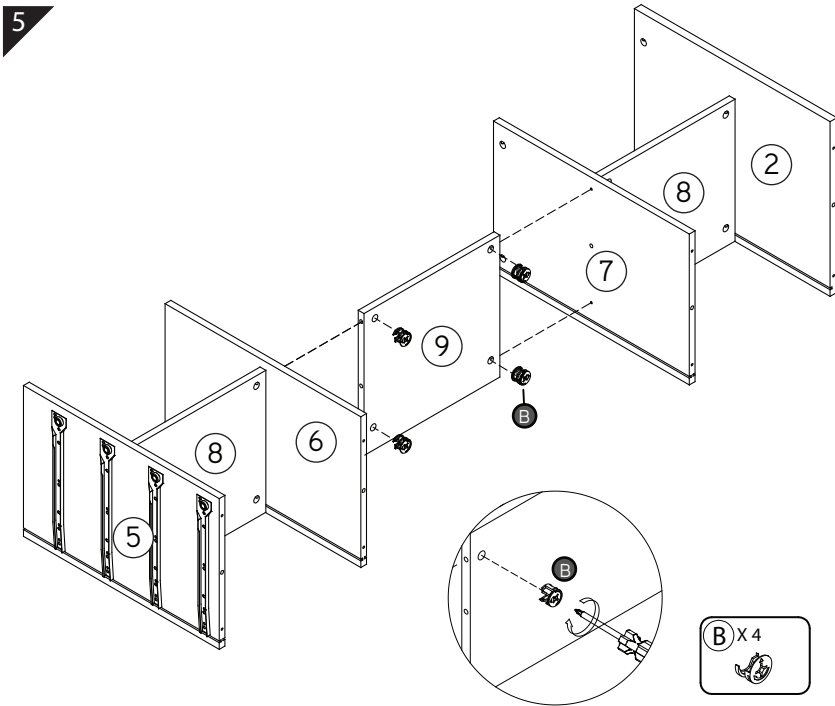


CODING
 - 345023
 - 345022



ISO 9001:2015
 Reg. No. 000435-1-MY-1-QMS

nesthouz.com



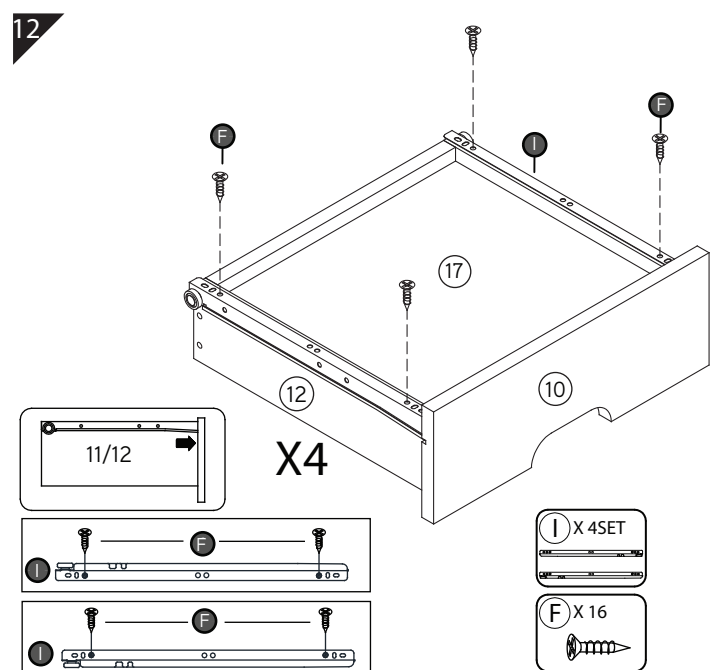
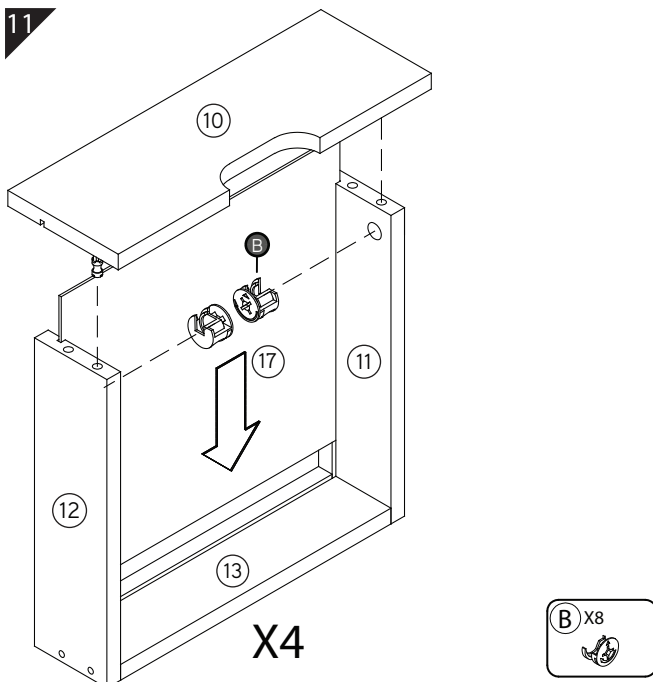
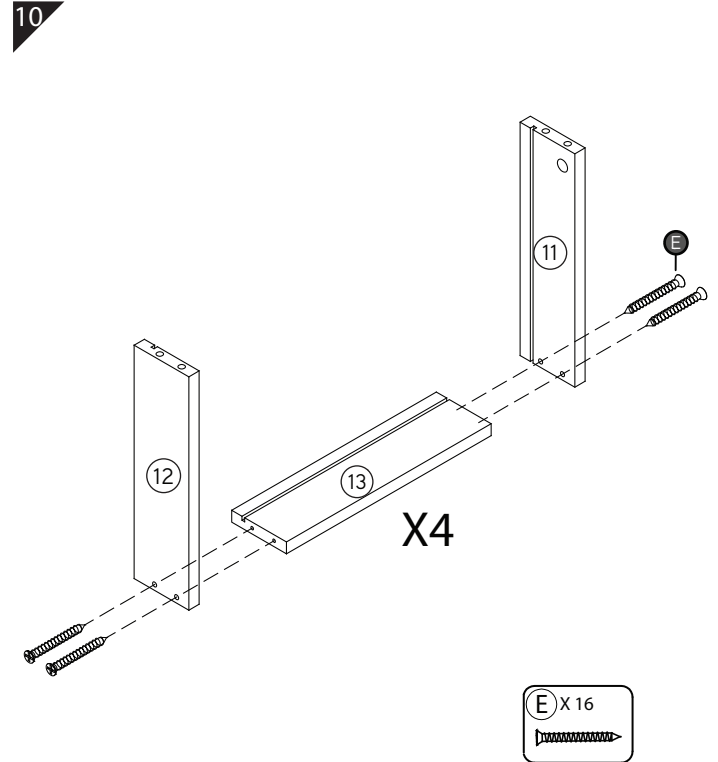
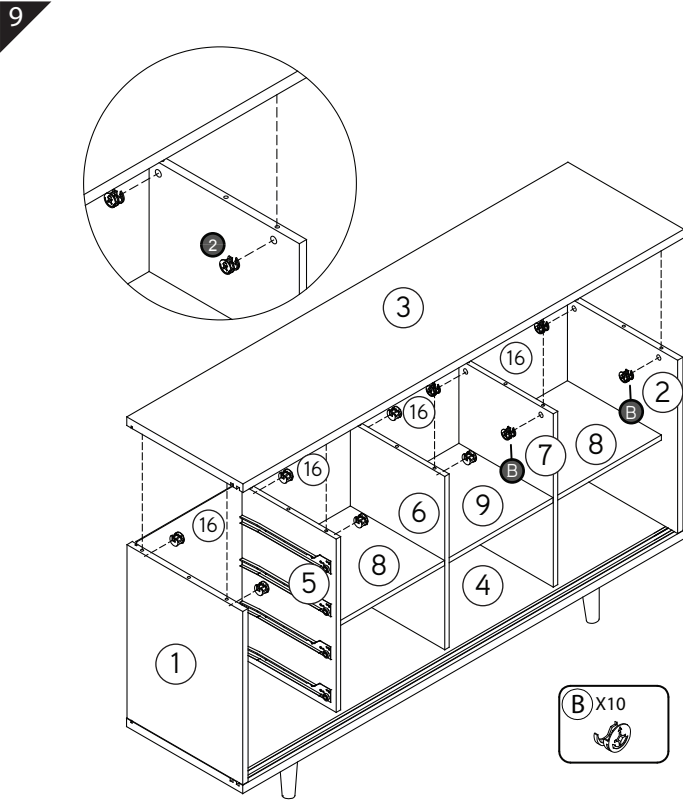
NOTE : Assembly instruction for leg and screw on another box

CODING
 - 345023
 - 345022



ISO 9001:2015
 Reg. No. 000435-1-MY-1-QMS

nesthouz.com



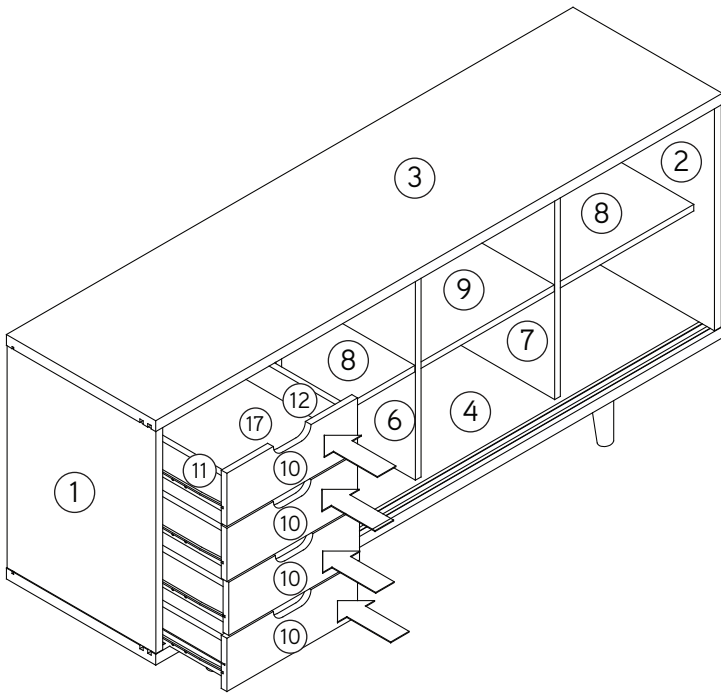
CODING
 - 345023
 - 345022



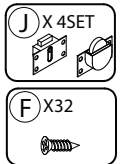
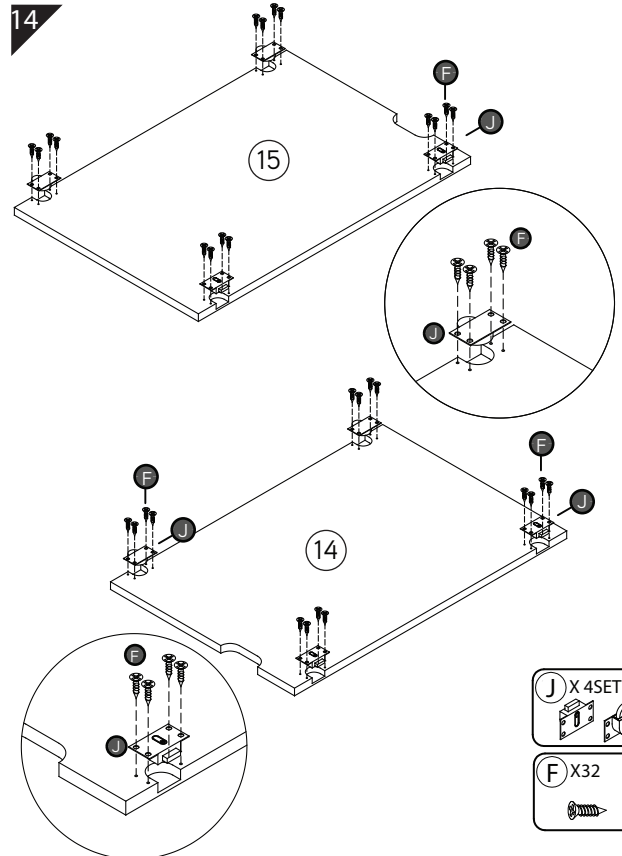
ISO 9001:2015
 Reg. No. 000435-1-MY-1-QMS

nesthouz.com

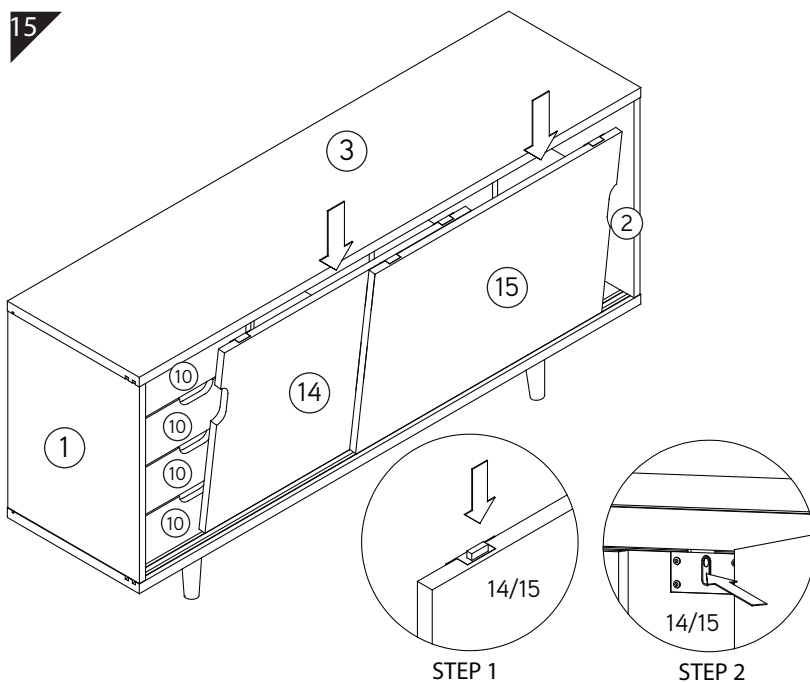
13



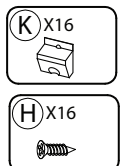
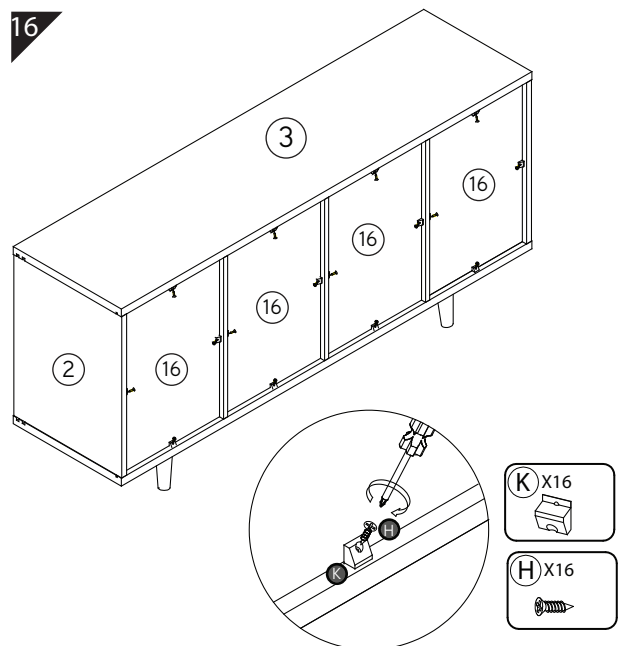
14



15



16



CODING
 - 345023
 - 345022

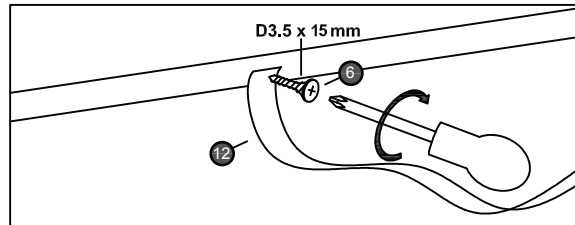


ISO 9001:2015
 Reg. No. 000435-1-MY-1-QMS

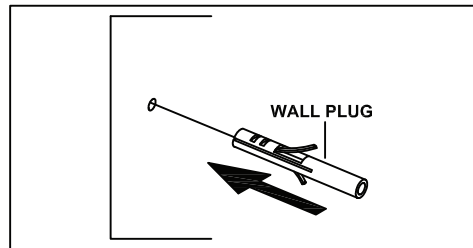
nesthouz.com

FITTING OF ANTI-TIP SAFETY STRAP

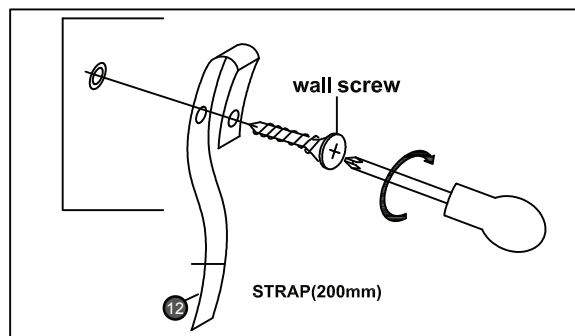
STEP 1:
 Push the screw and
 make hole on top
 panel of your
 furniture



STEP 2:
 Make a hole on
 the wall and pull
 the wall plug in



STEP 3:
 Pull the screw in
 the wall plug hole



NOTE : Wall fixing are not supplied with this product as different wall materials require different types of fixing devices (such as Rawl plugs on brick work). You must use fixing devices suitable for the type of wall you intend to mount this product to. Please ensure that the head of any screw used has a diameter greater than the diameter of the mounting hole on the product and that the fixing is safe and secure before use.

The straps and screws which to fix the strap on to the furniture are provided only.

HARDWARE LIST



STRAP(200mm)-1Pc

