

CODING

- 345021
- 345020



ISO 9001:2015
Reg. No. 000435-1-MY-1-QMS

nesthouz.com

Read the instructions carefully. Remove all the wrappings, staples and straps from the carton. Refer to the hardware and furniture part list for guidance. Make sure that you have all the parts before you start assembling. Place all the wooden furniture parts on a clean, flat and soft surface, such as a carpet or rubbermat to prevent scratches.

CAUTION

KEEP ALL THE PARTS OUT OF CHILDREN'S REACH.

ITEM	PHOTO	HAREWARE NAME	QTY
(A)		MINIFIX M5 X 29MM	14
(B)		CAM 15/12	14
(C)		UNITAR SCREW	6
(D)		DOWEL Ø8 X 30MM	10
(E)		SOFT CLOSE HINGES 5/8	6 SET
(F)		CSK SCREW 3.5 X 15MM	62

ITEM	PHOTO	HAREWARE NAME	QTY
(G)		CSK SCREW (4.7 x 38mm)	4
(H)		CSK SCREW 3.5 X 20MM	8
(I)		POP LATCH (PUSH OUT MAGNET)	2
(J)		BACKPLY STOPPER	8
(K)		METAL LEG	4
(L)		CENTER METAL LEG	1
(M)		M4 ALLEN KEY	1

CODING

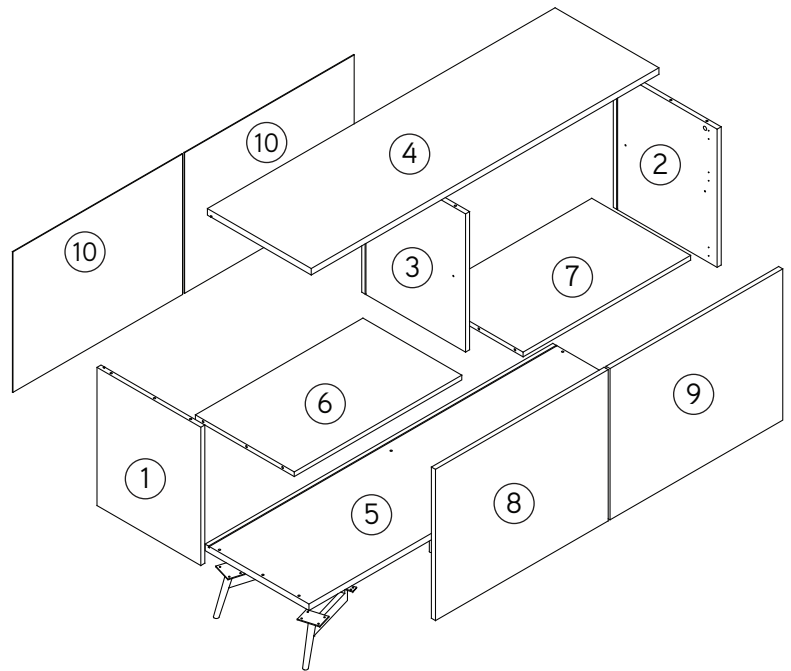
- 345021
- 345020



ISO 9001:2015
Reg. No. 000435-1-MY-1-QMS

nesthouz.com

ITEM	PARTS NAME	QTY
①	Side Panel	1
②	Side Panel	1
③	Center Panel	1
④	Top Panel	1
⑤	Bottom Panel	1
⑥	Fix Panel	1
⑦	Fix Panel	1
⑧	Door Panel	1
⑨	Door Panel	1
⑩	Back Panel	2



CODING

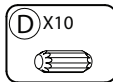
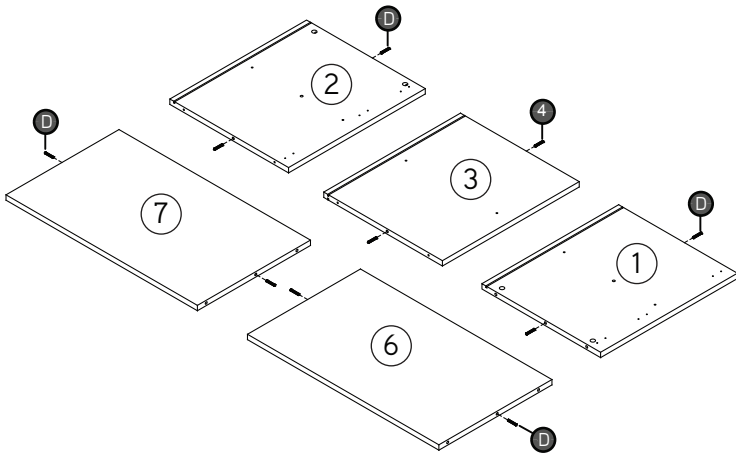
- 345021
- 345020



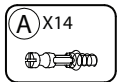
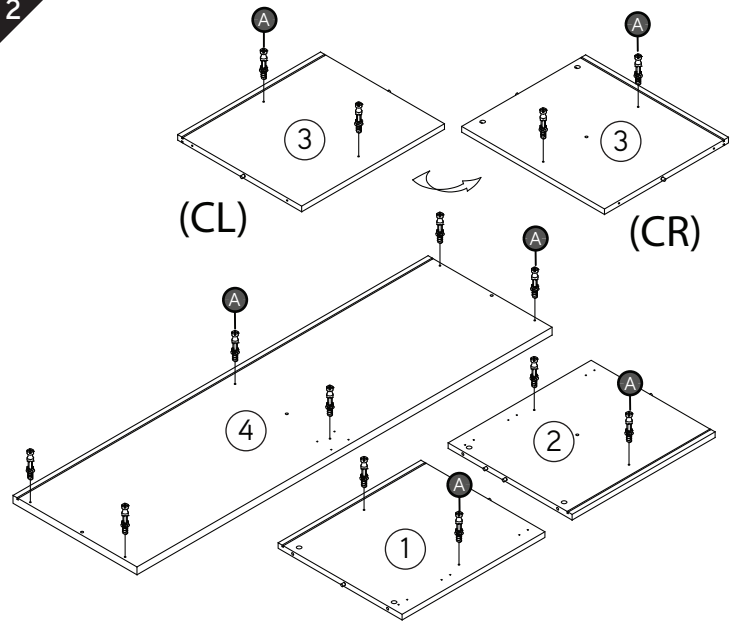
ISO 9001:2015
Reg. No. 000435-1-MY-1-QMS

nesthouz.com

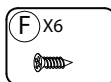
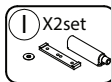
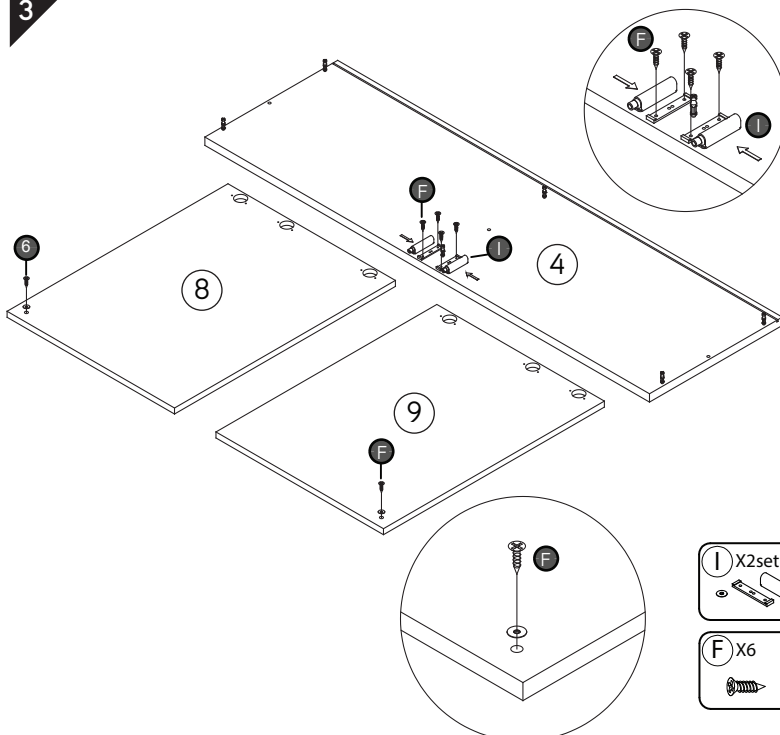
1



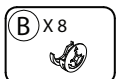
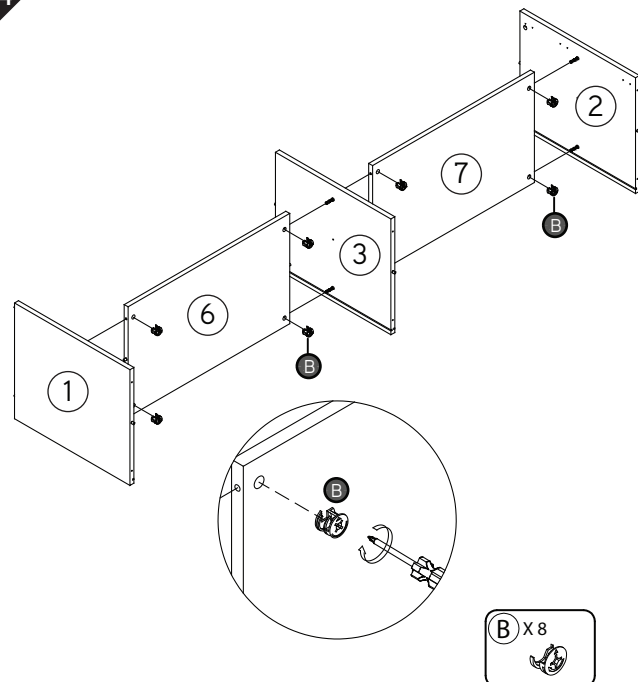
2



3



4



CODING

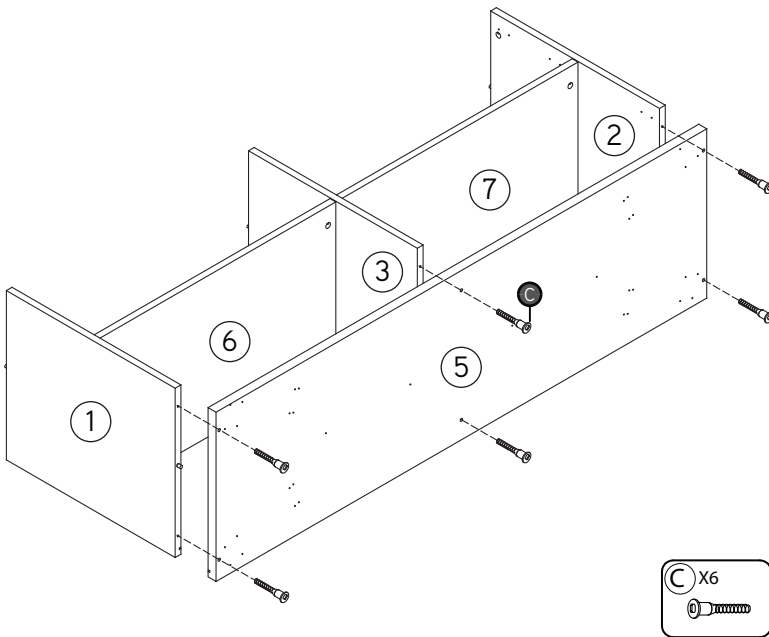
- 345021
- 345020



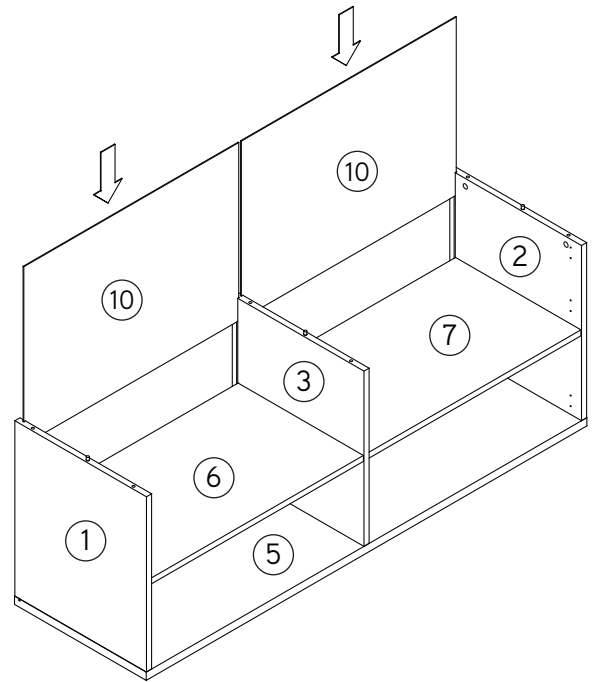
ISO 9001:2015
Reg. No. 000435-1-MY-1-QMS

nesthouz.com

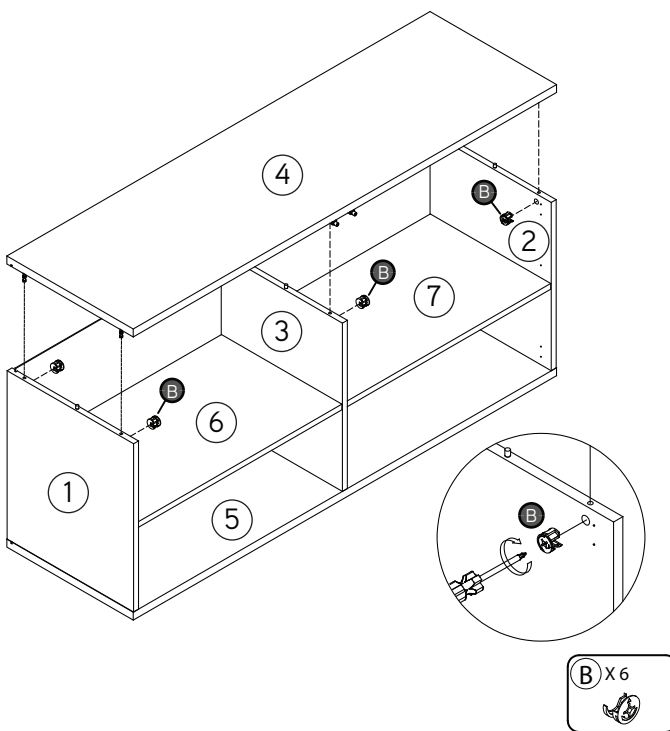
5



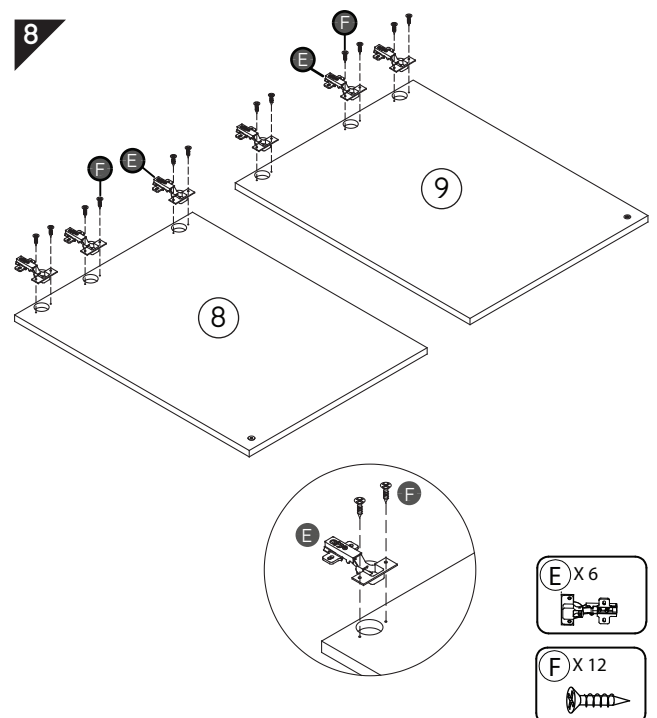
6



7



8

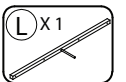
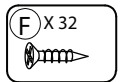
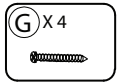
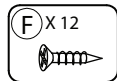
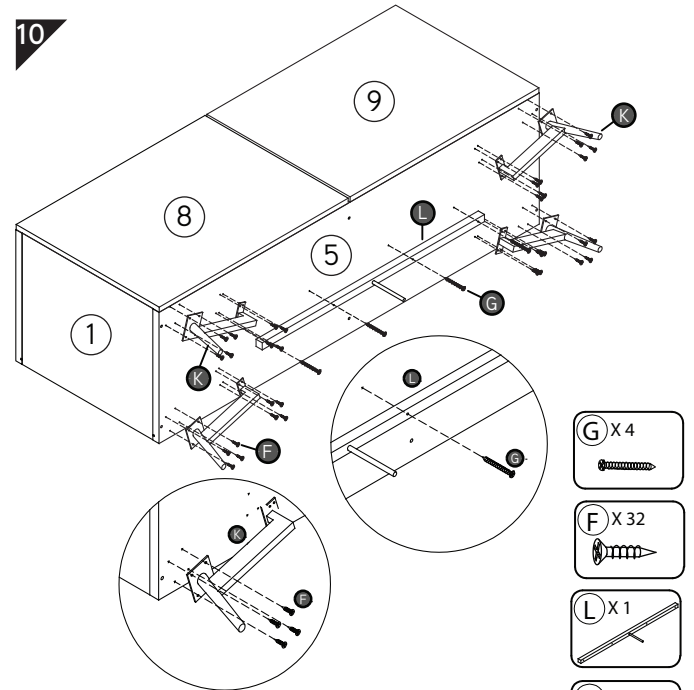
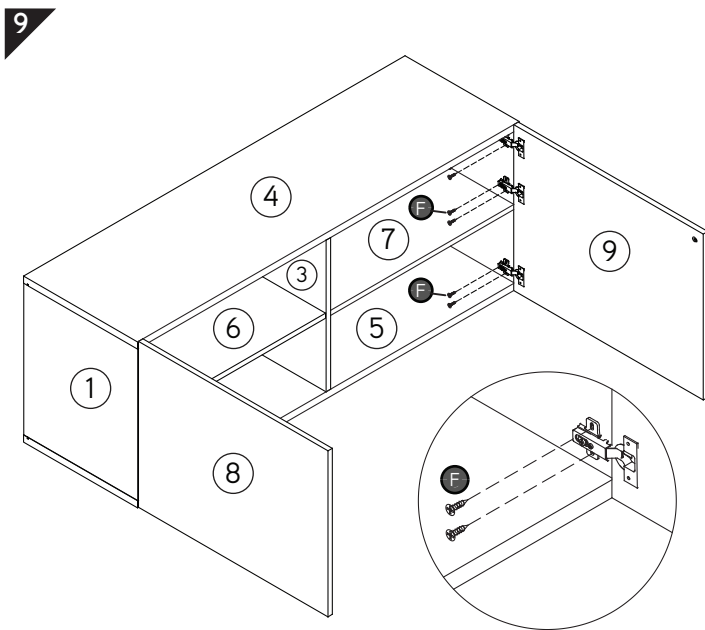


CODING
 - 345021
 - 345020



ISO 9001:2015
 Reg. No. 000435-1-MY-1-QMS

nesthouz.com



11

