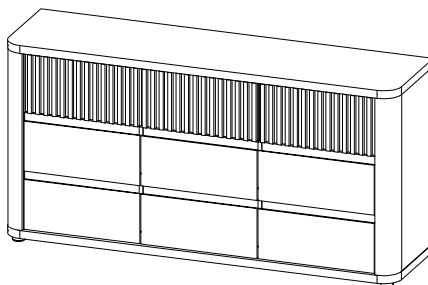


CODING
- 344045



ISO 9001:2015
Reg. No. 00005-1-MY-1-QMS

nuhoom.com

Read the instructions carefully. Remove all the wrappings, staples and straps from the carton. Refer to the hardware and furniture part list for guidance. Make sure that you have all the parts before you start assembling. Place all the wooden furniture parts on a clean, flat and soft surface, such as a carpet or rubbermat to prevent scratches.

CAUTION
KEEP ALL THE PARTS OUT OF CHILDREN'S REACH.

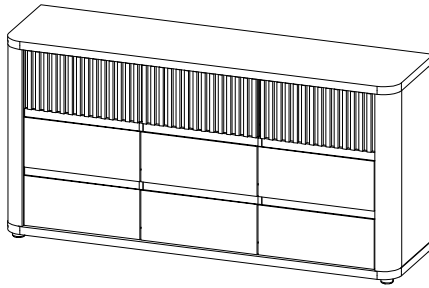
HARDWARE			
A	MINI FIX	A1 A2 A3	50 SETS
B	M8 X 30MM WOOD DOWEL		66 PCS
C	M6 X 60MM CSK CAP WOOD SCREW		8 PCS
D	ALLEN KEY M4		1 PC
E	M3.5 X 16MM C.B SCREW		132 PCS
F	M4 X 30MM C.B SCREW		6 PCS
G	M4 X 38MM C.B SCREW		36 PCS
H	PAN HEAD SCREW M4 X 16MM		8 PCS
I	ONE HOLE L BRACKET (2MM)		12 PCS
J	SPRING DOOR SUPPORT		8 PCS
K	14" DRAWER SLIDE	K1 (L/R) K2 (L/R)	9 SETS
L	SOFA LEG 25MM		6 PCS

TIPPING PACK WITH A1		2 SETS
----------------------	--	--------

SELF-PREPARED TOOLS: Tools below are NOT included in package.	
SCREW DRIVER	HAMMER

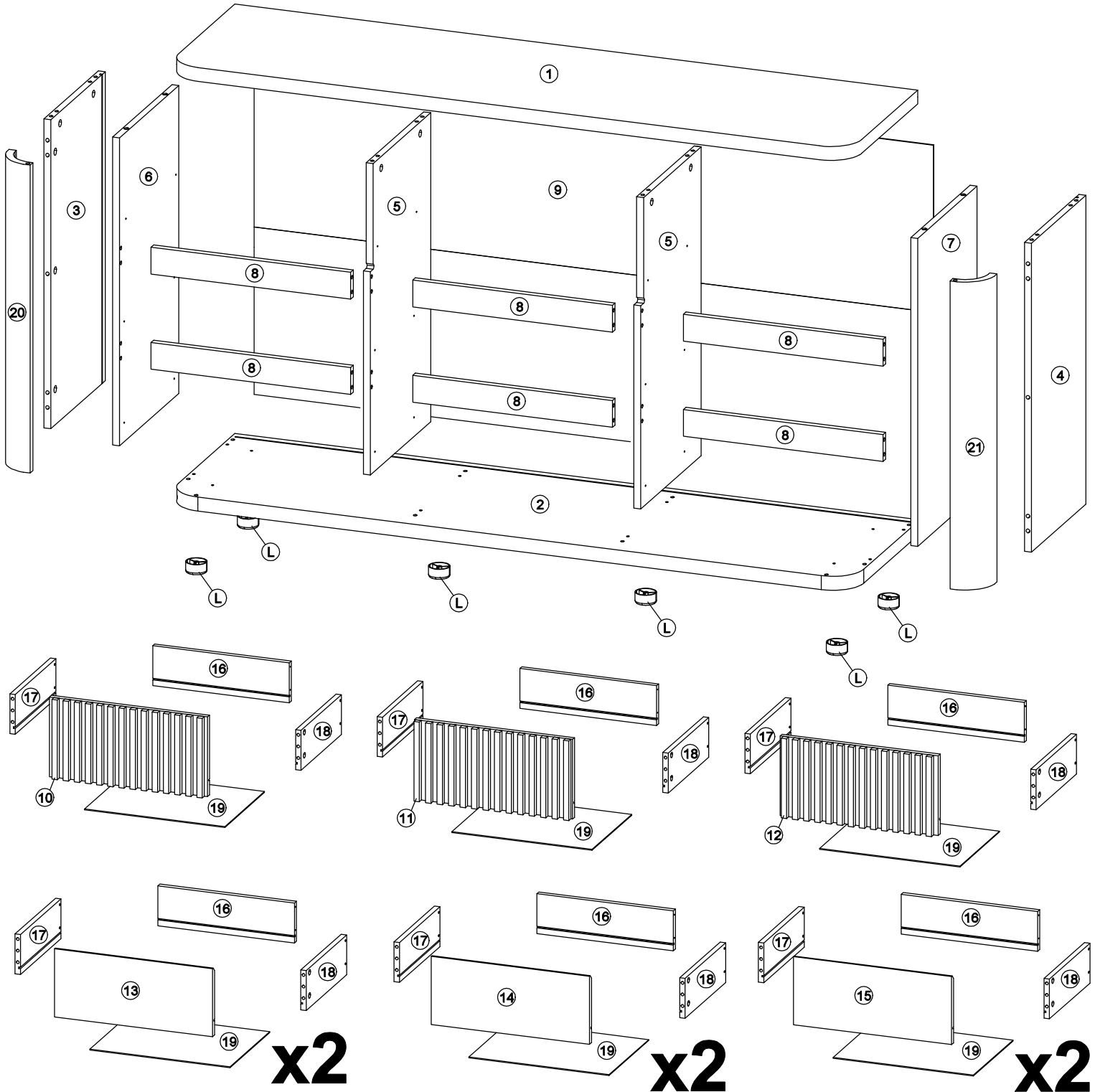
PART LIST		QTY
1	TOP PANEL	1 PC
2	BOTTOM PANEL	1 PC
3	SIDE PANEL (L)	1 PC
4	SIDE PANEL (R)	1 PC
5	CENTER PANEL	2 PCS
6	SIDE SUPPORT (L)	1 PC
7	SIDE SUPPORT (R)	1 PC
8	MIDDLE BONE - 1	6 PCS
9	BACK PANEL	1 PC
10	DRAWER FRONT UP (L)	1 PC
11	DRAWER FRONT UP (C)	1 PC
12	DRAWER FRONT UP (R)	1 PC
13	DRAWER FRONT DOWN (L)	2 PCS
14	DRAWER FRONT DOWN (C)	2 PCS
15	DRAWER FRONT DOWN (R)	2 PCS
16	DRAWER BACK	9 PCS
17	DRAWER SIDE (L)	9 PCS
18	DRAWER SIDE (R)	9 PCS
19	DRAWER BOTTOM	9 PCS
20	LEG CORNER (L)	1 PC
21	LEG CORNER (R)	1 PC

CODING
- 344045

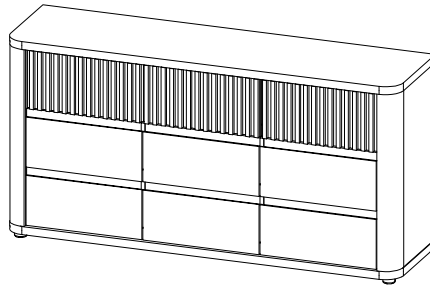


ISO 9001:2015
Reg. No. 00045-1-KIT-1-QMS

nuhoom.com



CODING
- 344045

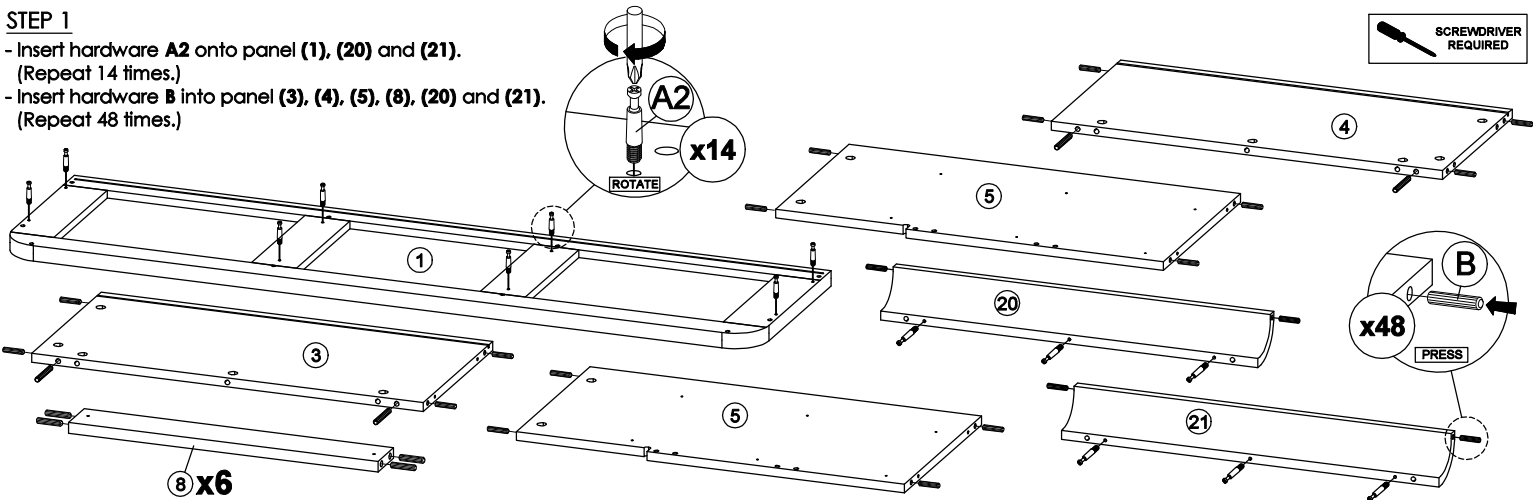


ISO 9001:2015
Reg. No. 00043-1-MY-1-QMS

nuhoom.com

STEP 1

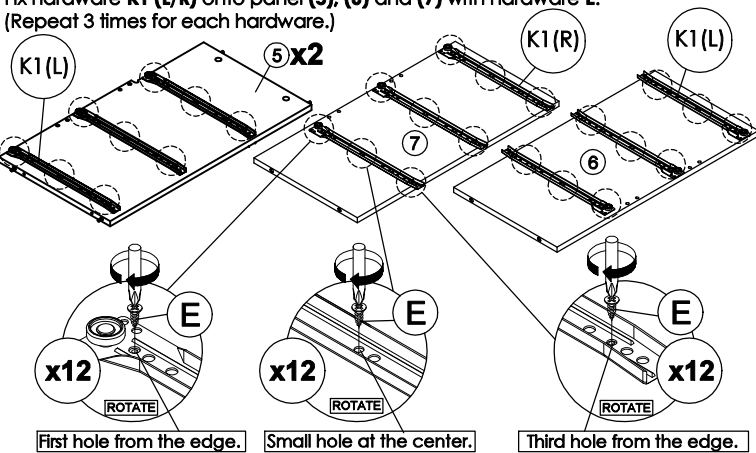
- Insert hardware **A2** onto panel **(1)**, **(20)** and **(21)**.
(Repeat 14 times.)
- Insert hardware **B** into panel **(3)**, **(4)**, **(5)**, **(8)**, **(20)** and **(21)**.
(Repeat 48 times.)



SCREWDRIVER
REQUIRED

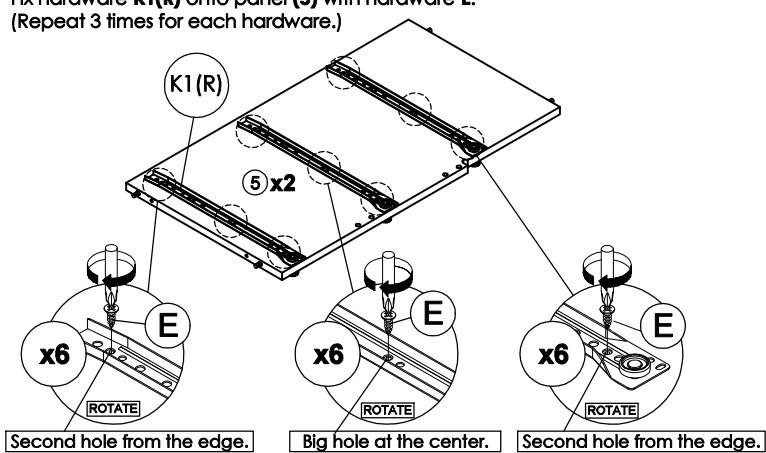
STEP 2

- Fix hardware **K1 (L/R)** onto panel **(5)**, **(6)** and **(7)** with hardware **E**.
(Repeat 3 times for each hardware.)



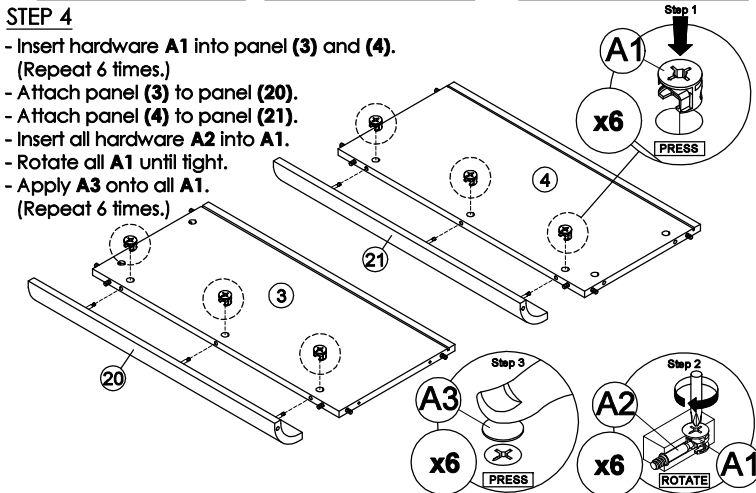
STEP 3

- Fix hardware **K1(R)** onto panel **(5)** with hardware **E**.
(Repeat 3 times for each hardware.)



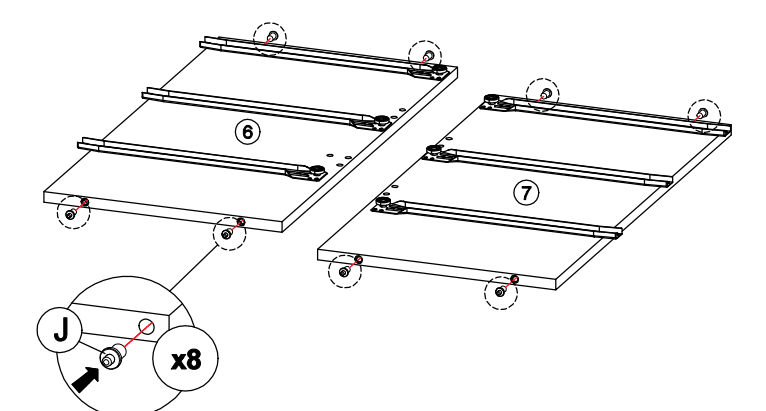
STEP 4

- Insert hardware **A1** into panel **(3)** and **(4)**.
(Repeat 6 times.)
- Attach panel **(3)** to panel **(20)**.
- Attach panel **(4)** to panel **(21)**.
- Insert all hardware **A2** into **A1**.
- Rotate all **A1** until tight.
- Apply **A3** onto all **A1**.
(Repeat 6 times.)

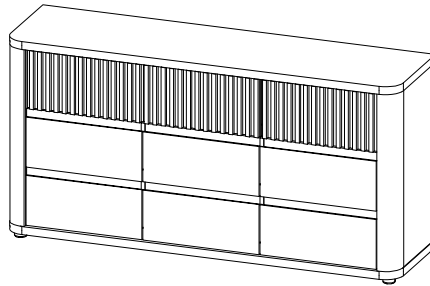


STEP 5

- Fix hardware **J** into panel **(6)** and **(7)**.
(Repeat 8 times.)



CODING
- 344045

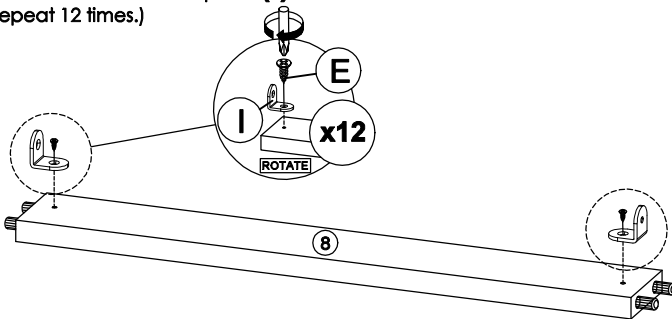


ISO 9001:2015
Reg. No. 00035-1-KY-1-QMS

nuhoom.com

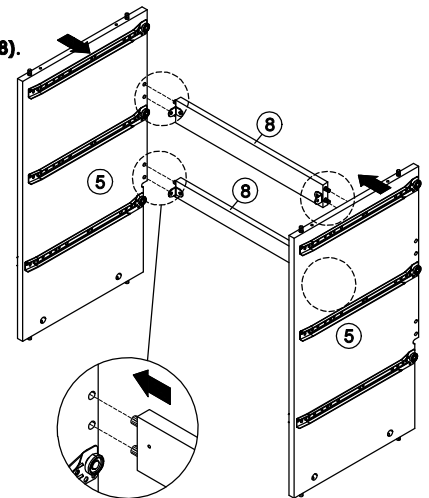
STEP 6

Assemble hardware I to panel (8) with hardware E.
(Repeat 12 times.)



STEP 7

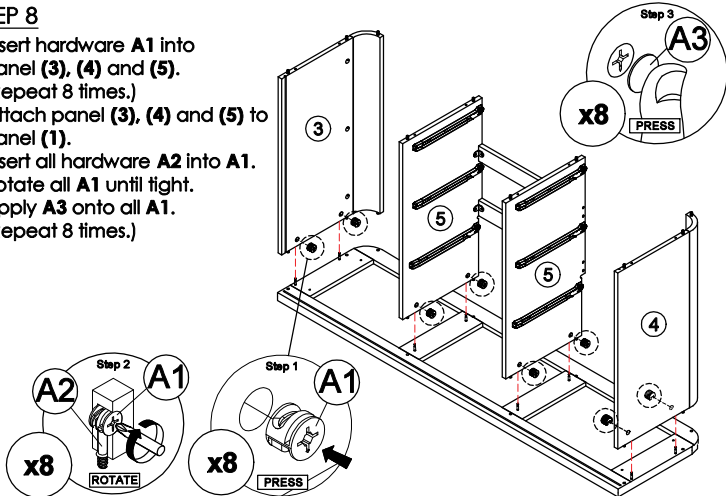
Attach panel (5) to panel (8).
(Repeat 4 times.)



x6

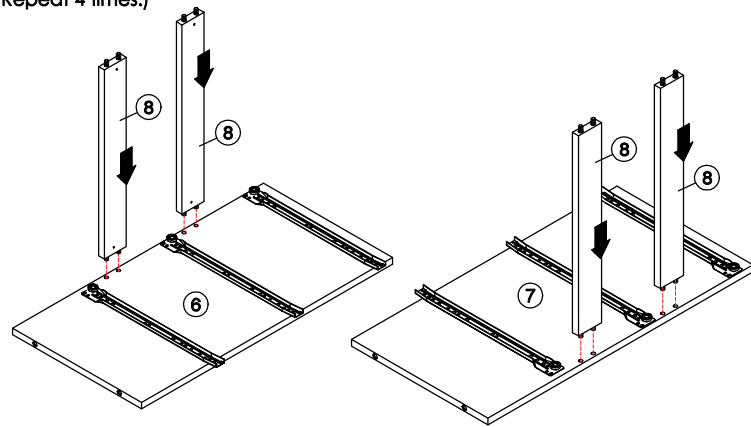
STEP 8

- Insert hardware A1 into panel (3), (4) and (5).
(Repeat 8 times.)
- Attach panel (3), (4) and (5) to panel (1).
- Insert all hardware A2 into A1.
- Rotate all A1 until tight.
- Apply A3 onto all A1.
(Repeat 8 times.)



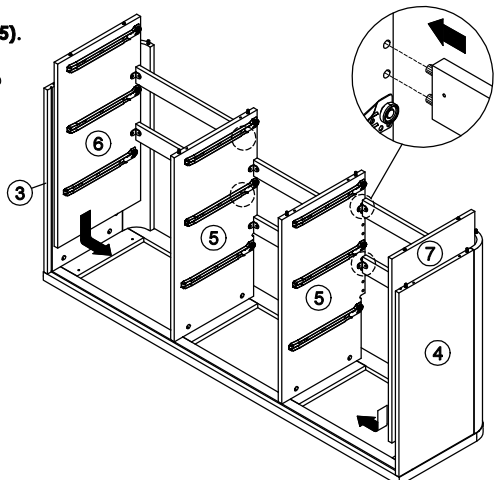
STEP 9

Attach panel (8) to panel (6) and (7).
(Repeat 4 times.)



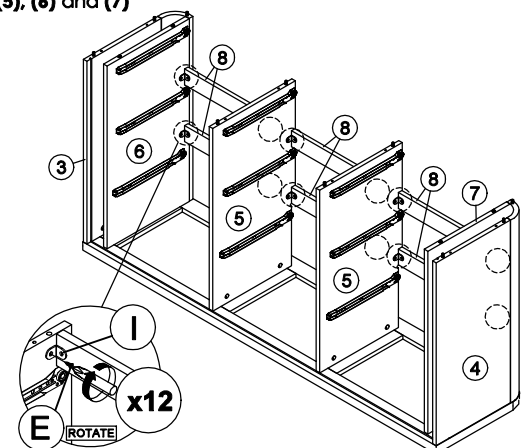
STEP 10

- Attach panel (8) to panel (5).
(Repeat 4 times.)
- Put the panel (6) and (7) to panel (1).

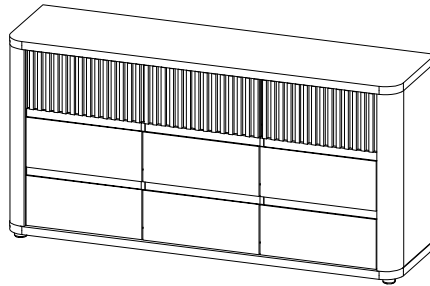


STEP 11

Fix hardware I to panel (5), (6) and (7) with hardware E.
(Repeat 12 times.)



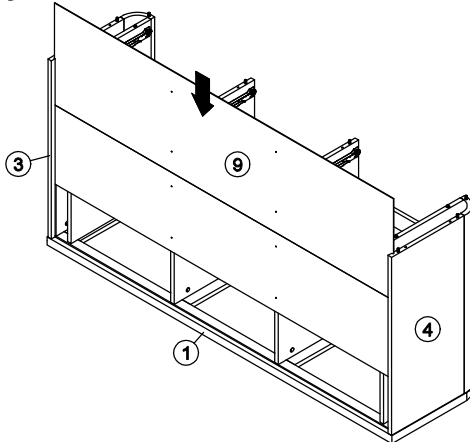
CODING
- 344045



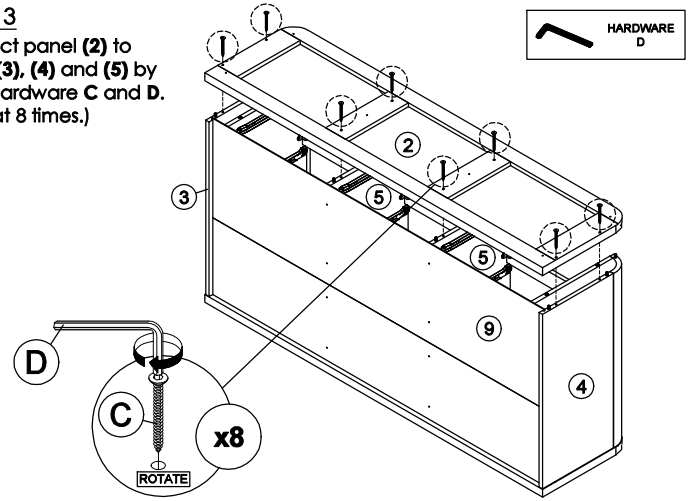
ISO 9001:2015
Reg. No. 00043-1-KIT-1-QMS

nuhoom.com

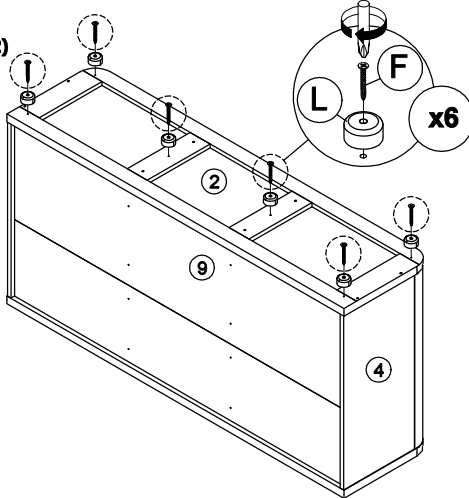
STEP 12
Insert the panel (9) along the slot.



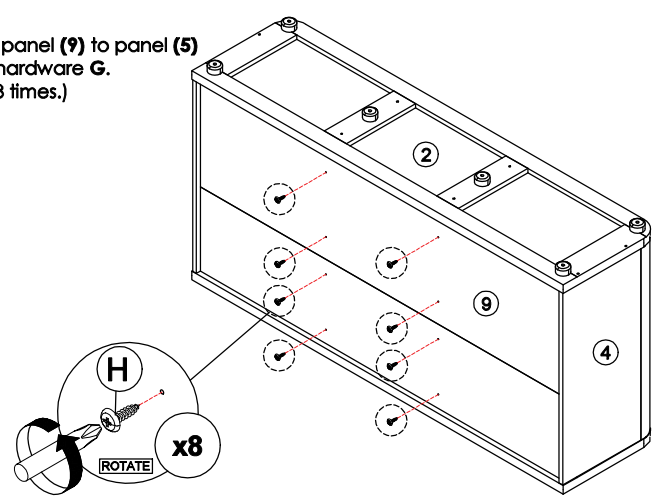
STEP 13
Connect panel (2) to panel (3), (4) and (5) by using hardware C and D. (Repeat 8 times.)



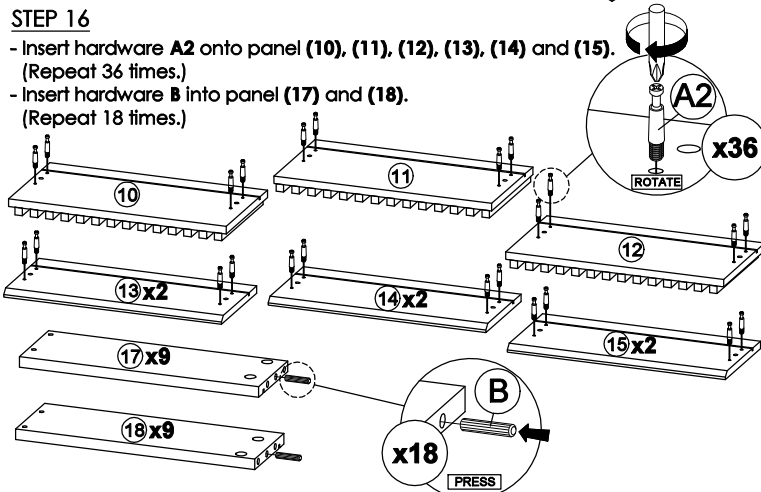
STEP 14
Fix hardware L onto panel (2) by using hardware F. (Repeat 6 times.)



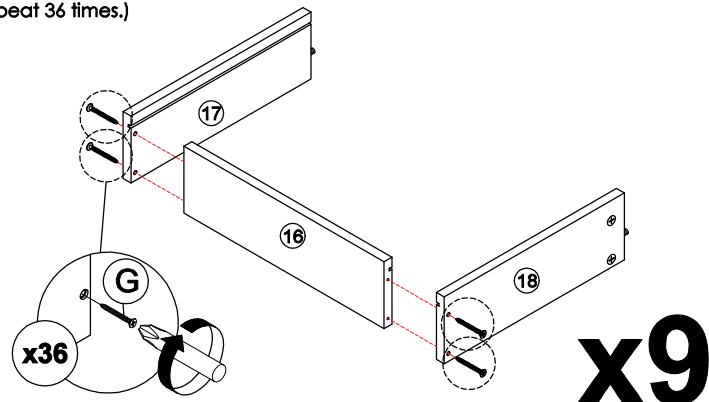
STEP 15
Connect panel (9) to panel (5) by using hardware G. (Repeat 8 times.)



STEP 16
- Insert hardware A2 onto panel (10), (11), (12), (13), (14) and (15). (Repeat 36 times.)
- Insert hardware B into panel (17) and (18). (Repeat 18 times.)

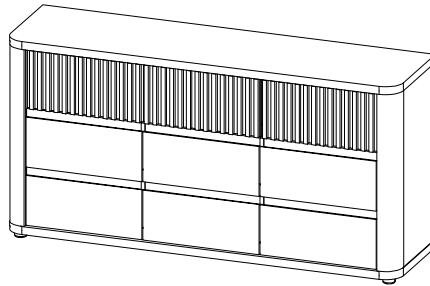


STEP 17
Assemble panel (16) with panel (17) and (18) by using hardware G. (Repeat 36 times.)



x9

CODING
- 344045

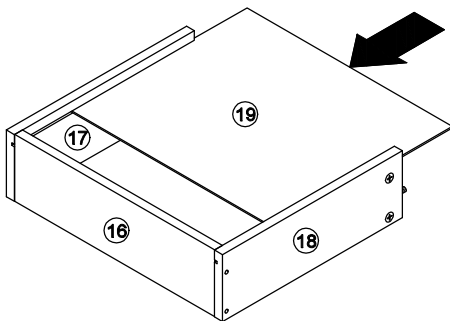


ISO 9001:2015
Reg. No. 00045-1-KIT-1-QMS

nuhoom.com

STEP 18

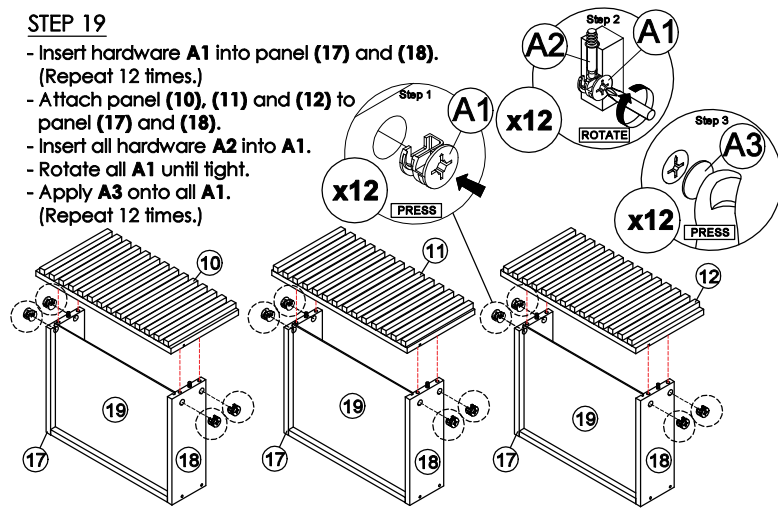
Insert the panel (19) along the slot.
(Repeat 9 times.)



x9

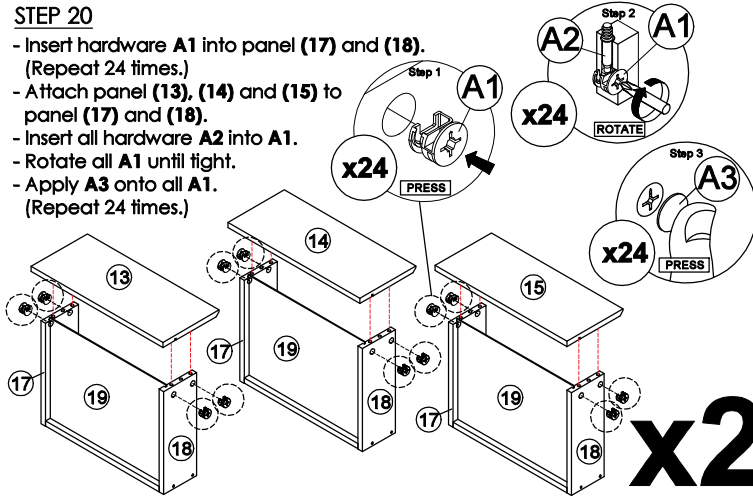
STEP 19

- Insert hardware **A1** into panel (17) and (18).
(Repeat 12 times.)
- Attach panel (10), (11) and (12) to panel (17) and (18).
- Insert all hardware **A2** into **A1**.
- Rotate all **A1** until tight.
- Apply **A3** onto all **A1**.
(Repeat 12 times.)



STEP 20

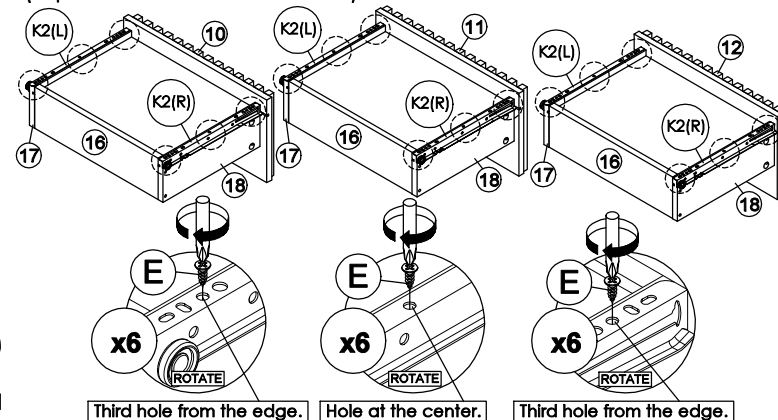
- Insert hardware **A1** into panel (17) and (18).
(Repeat 24 times.)
- Attach panel (13), (14) and (15) to panel (17) and (18).
- Insert all hardware **A2** into **A1**.
- Rotate all **A1** until tight.
- Apply **A3** onto all **A1**.
(Repeat 24 times.)



x2

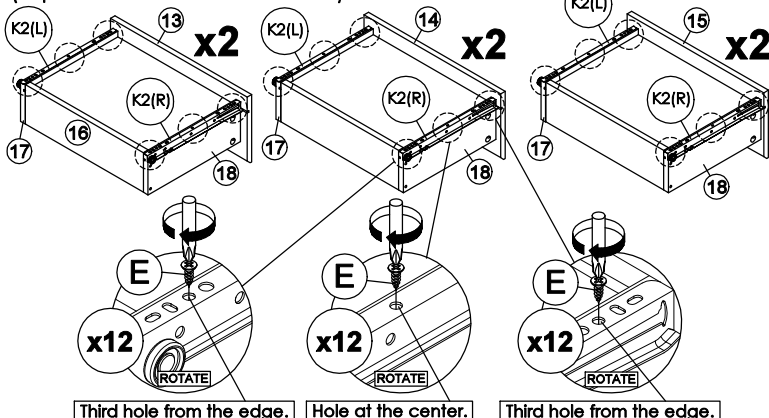
STEP 21

Assemble hardware **K2 (L/R)** to panel (17) and (18) by using hardware **E**.
(Repeat 3 times for each hardware.)



STEP 22

Assemble hardware **K2 (L/R)** to panel (17) and (18) by using hardware **E**.
(Repeat 3 times for each hardware.)



STEP 23

Put all the drawer in place along the drawer slides.

