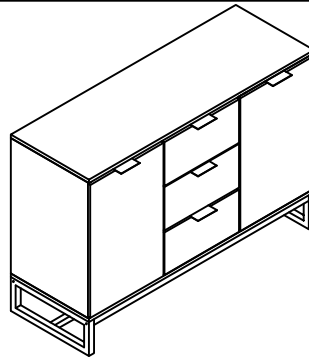


CODING
-344036



ISO 9001: 2015
Reg. No. 000435-1-MY-1-QMS

LUOMA.com

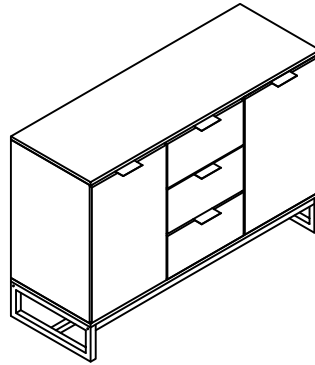
Read the instructions carefully. Remove all the wrappings , staples and straps from the carton. Refer to the hardware and furniture part list for guidance. Make sure that you have all the parts before you start assembling. Place all the wooden furniture parts on a clean, flat and soft surface, such as a carpet or rubbermat to prevent scratches.

CAUTION
KEEP ALL THE PARTS OUT OF CHILDREN'S REACH.

ITEM	PHOTO	HARDWARE NAME	QTY
(A)		Allen Key M4	1
(B)		Plastic Dowel M8x25	16
(C)		JCBC W Screw M6x40	8
(D)		JCBC Screw M6x50 Flat & Spring Washers	6
(E)		Mini Fix Bolt	8
(F)		Mini Fix Housing	8
(G)		Mini Fix Cap	8
(H)		CSK Screw M4x32mm	6
(I)		CSK Screw M4x50mm	24
(J)		CSK Screw M3.5x16mm	90
(K)		14" Drawer Slide	3
(L)		L Bracket	8
(M)		Hinges	4
(N)		Handle	5
(O)		Shelf Support Metal	8

ITEM	PHOTO	PART NAME	QTY
(1)		Top Panel	1
(2)		Left Side Panel	1
(3)		Middle Side Panel (L)	1
(4)		Middle Side Panel (R)	1
(5)		Right Side Panel	1
(6)		Middle Support Panel	2
(7)		Bottom Panel	1
(8)		Door Panel (L)	1
(9)		Door Panel (R)	1
(10)		Side Back Panel	2
(11)		Middle Back Panel	1
(12)		Drawer Front Panel	3
(13)		Drawer Side Panel	6
(14)		Drawer Back Panel	3
(15)		Drawer Bottom Panel	3
(16)		Metal Support Legs	2
(17)		Metal Frame Legs	2
(18)		Metal Center Leg	1
(19)		Support Leg	1

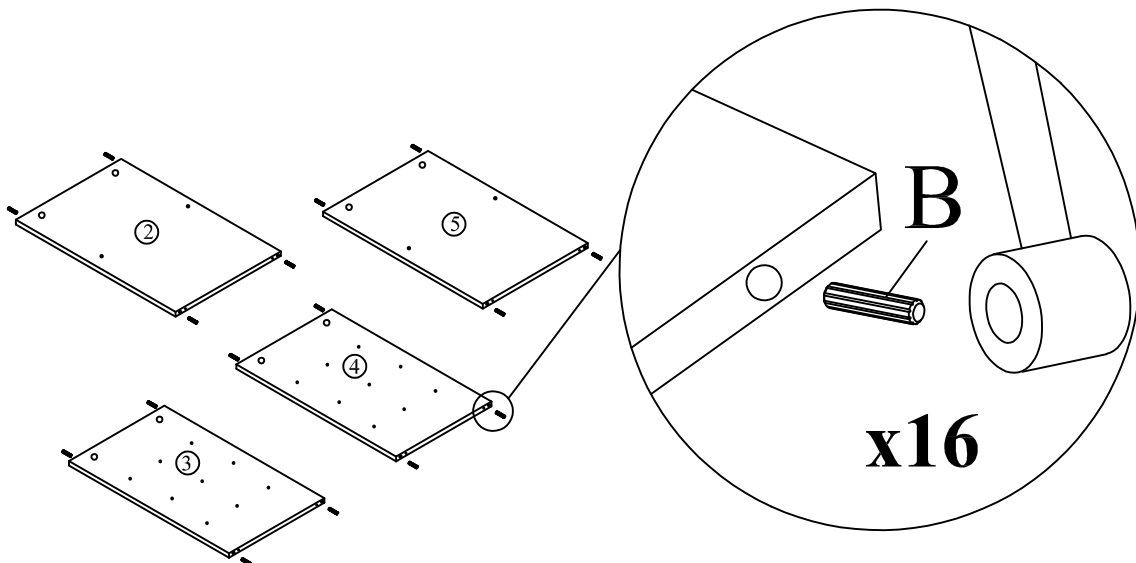
CODING
-344036



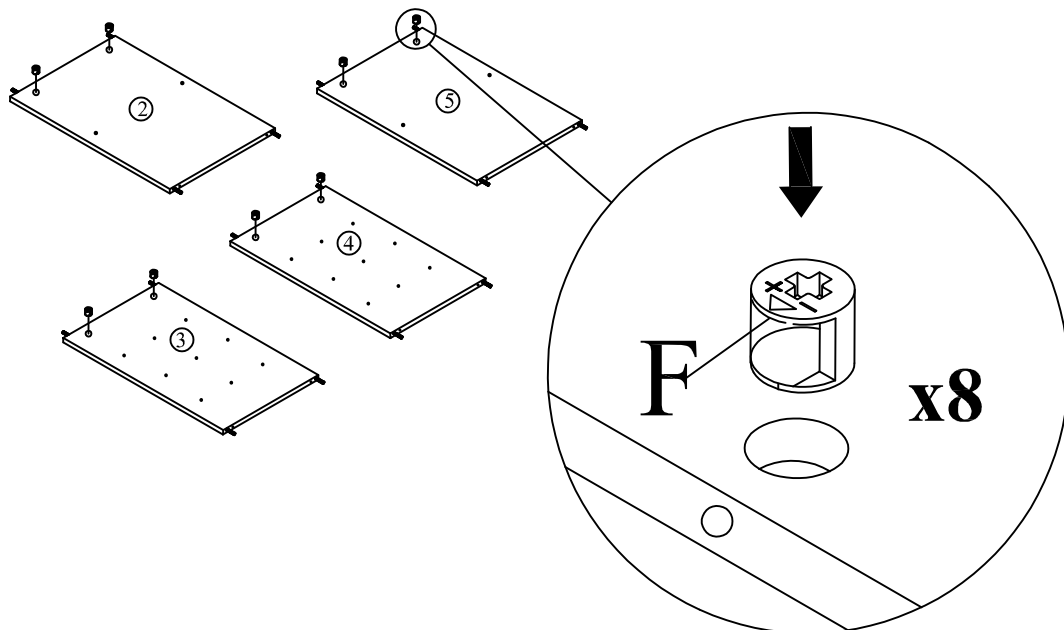
ISO 9001: 2015
Reg. No. 000435-1-MY-1-QMS

LUOMA.COM

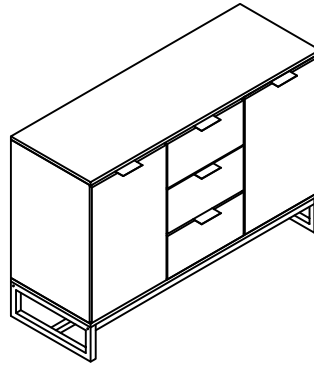
1



2



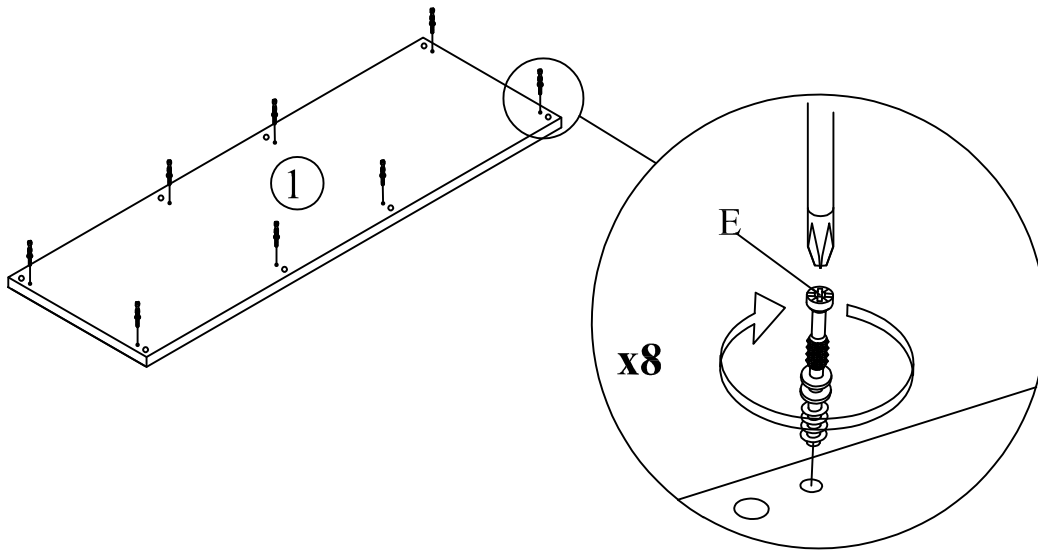
CODING
-344036



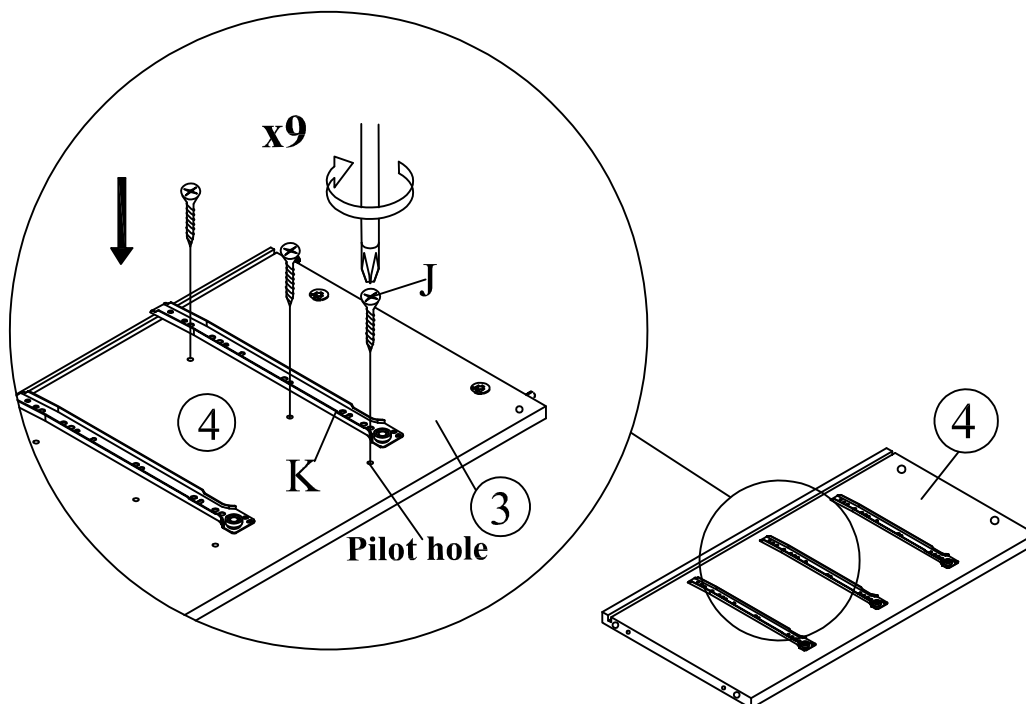
ISO 9001: 2015
Reg. No. 000435-1-MY-1-QMS

LUOMA.COM

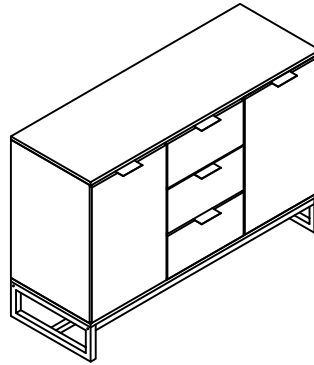
3



4



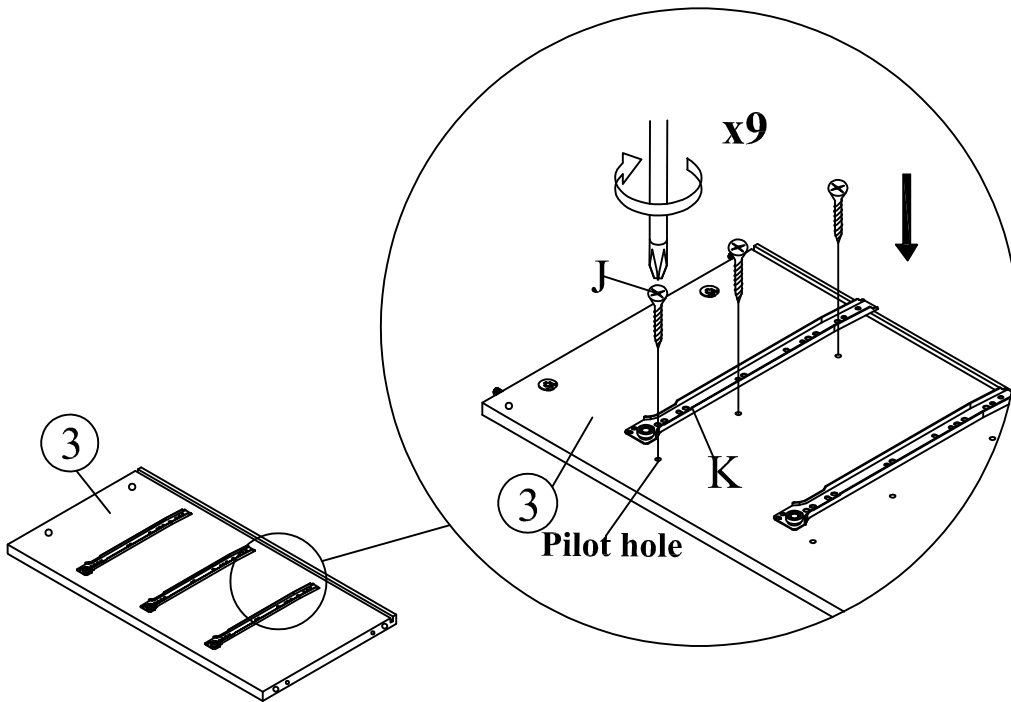
CODING
-344036



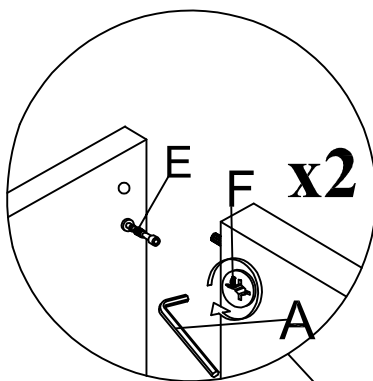
ISO 9001: 2015
RReg. No. 000435-1-MY-1-QMS

LUOMA.COM

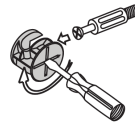
5



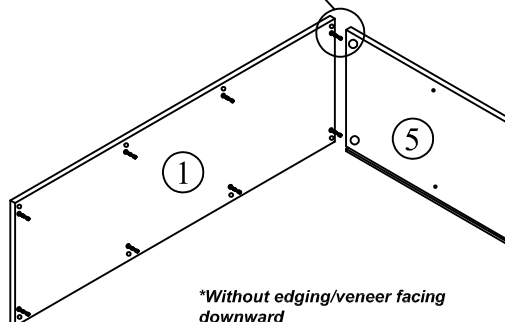
6



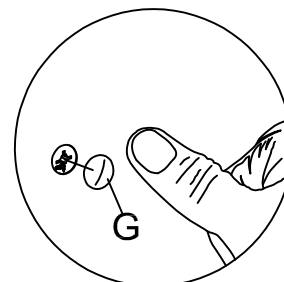
This is how a mini fix works...



The head of the mini fix housing goes into the open mouth of the mini fix bolt. You then turn the mini fix housing so it tightens over the mini fix bolt.

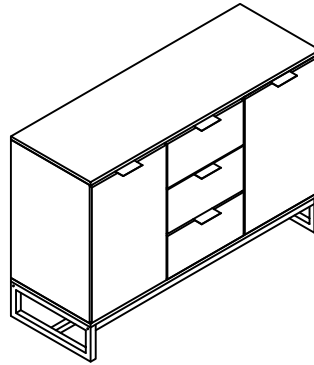


**Without edging/veneer facing downward*



**Attach Minifix Cap as shown.*

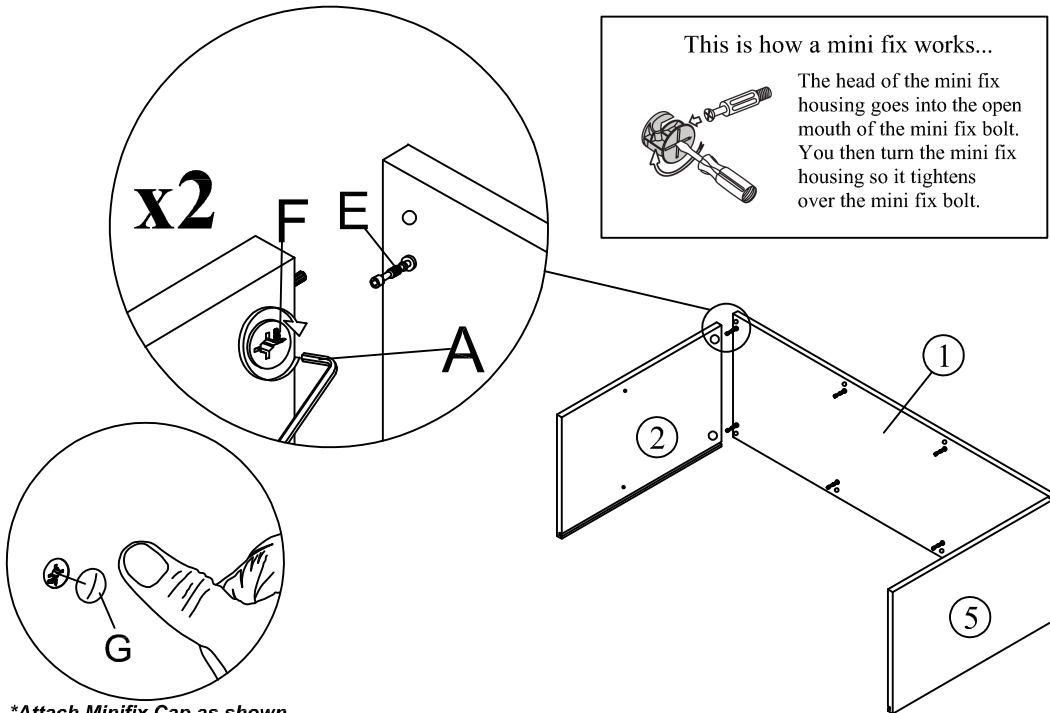
CODING
-344036



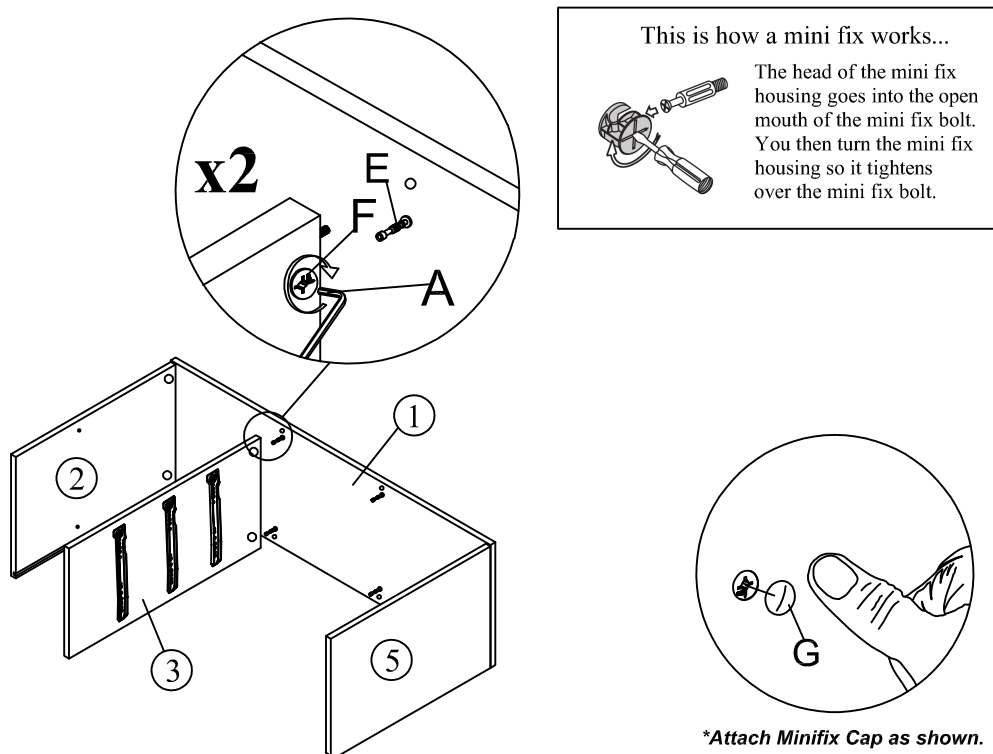
ISO 9001: 2015
RReg. No. 000435-1-MY-1-QMS

LUOMA.COM

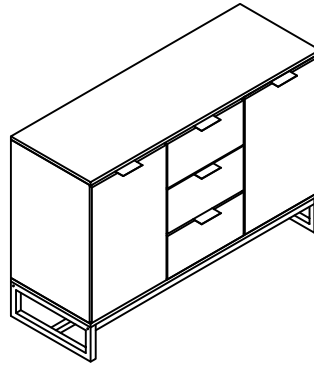
7



8



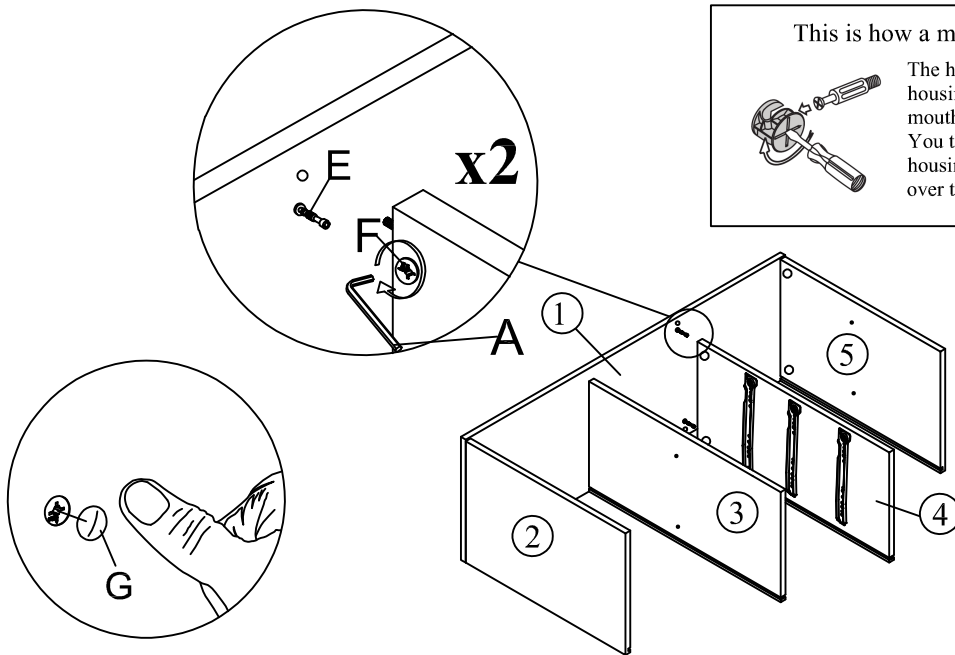
CODING
-344036



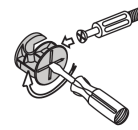
ISO 9001: 2015
Reg. No. 000435-1-MY-1-QMS

LUOMA.COM

9



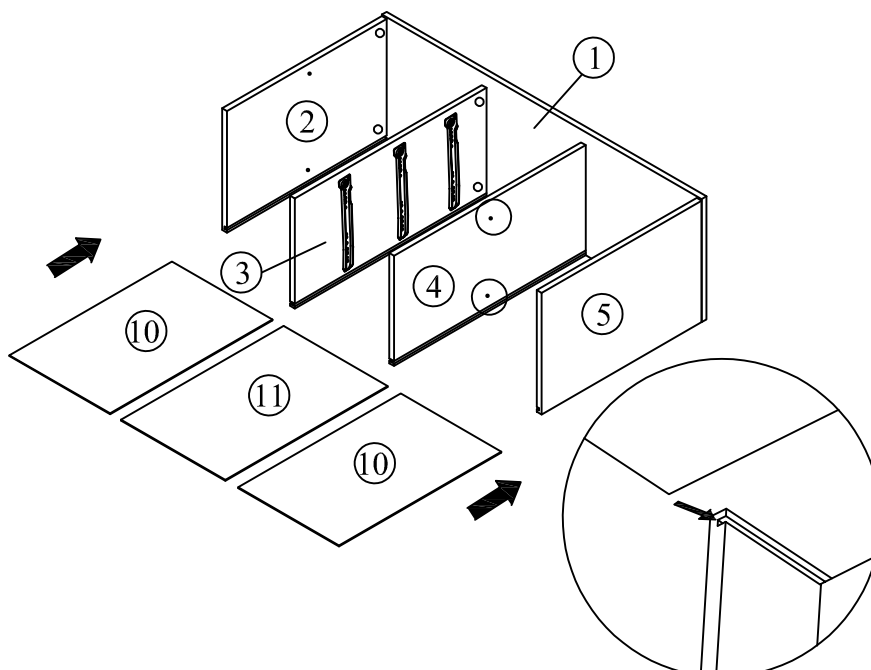
This is how a mini fix works...



The head of the mini fix housing goes into the open mouth of the mini fix bolt. You then turn the mini fix housing so it tightens over the mini fix bolt.

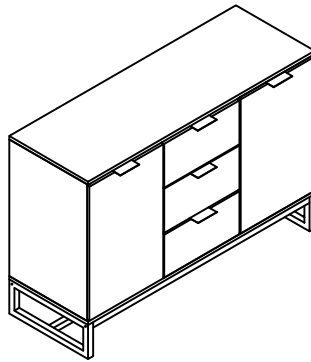
**Attach Minifix Cap as shown.*

10



This is how to insert back panel

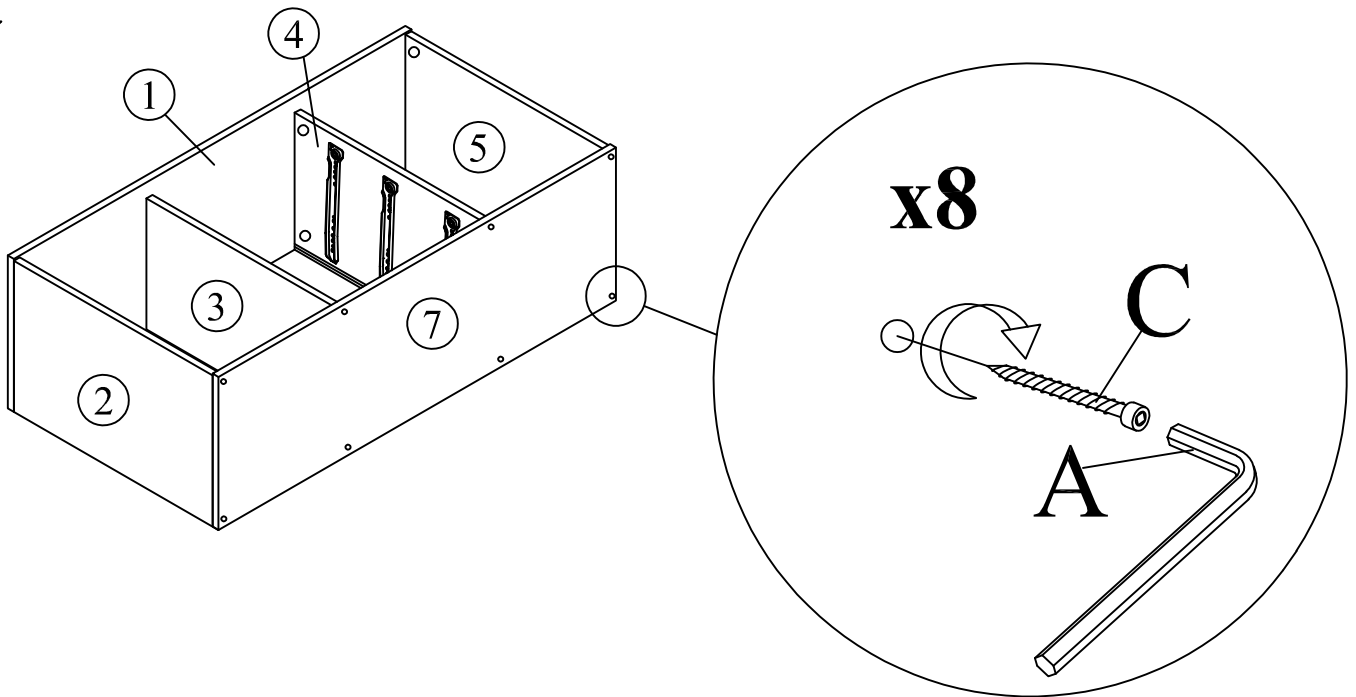
CODING
-344036



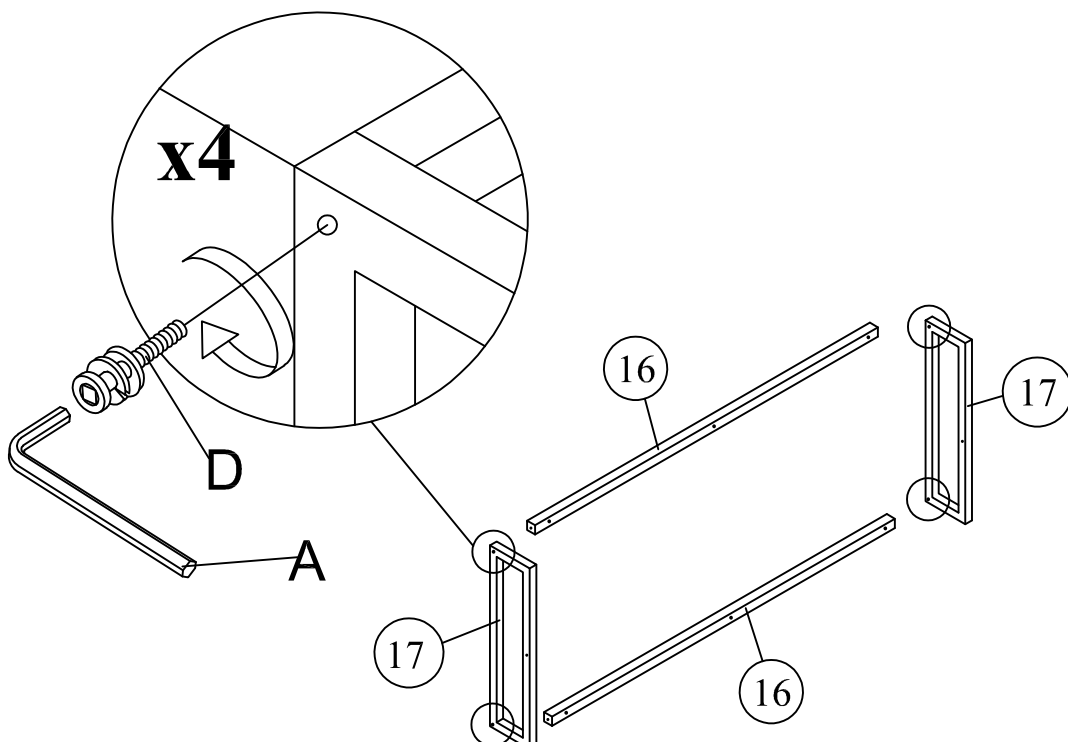
ISO 9001: 2015
Reg. No. 000435-1-MY-1-QMS

LUOMA.COM

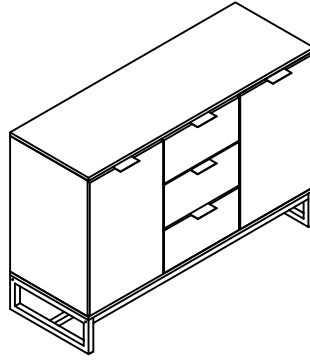
11



12



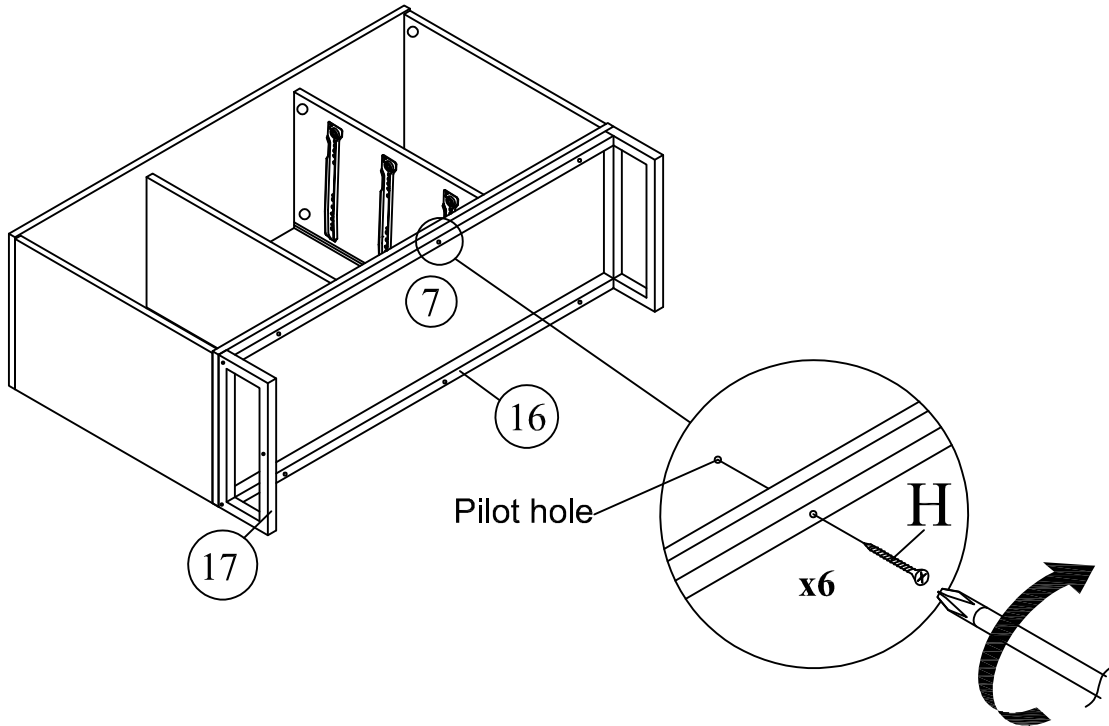
CODING
-344036



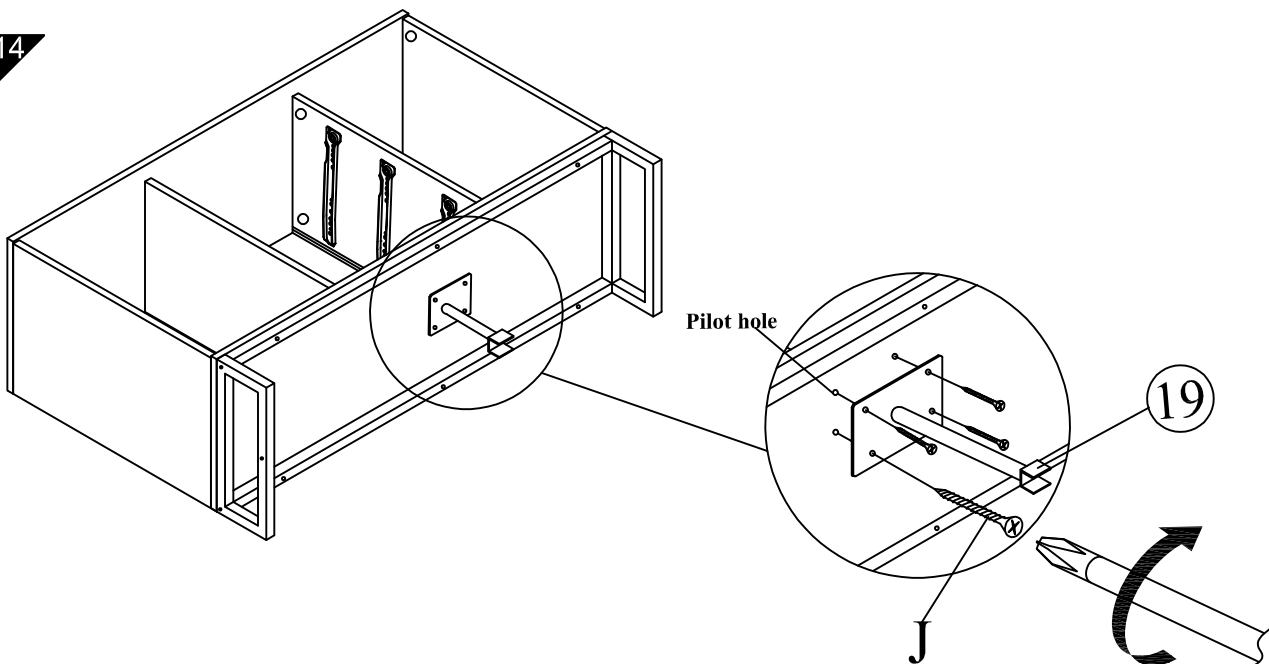
ISO 9001: 2015
Reg. No. 000435-1-MY-1-QMS

LUOMA.COM

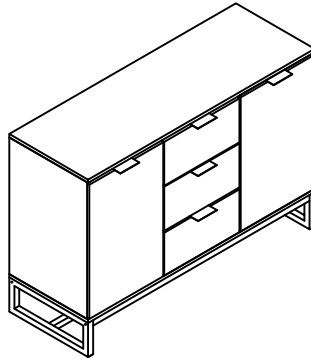
13



14



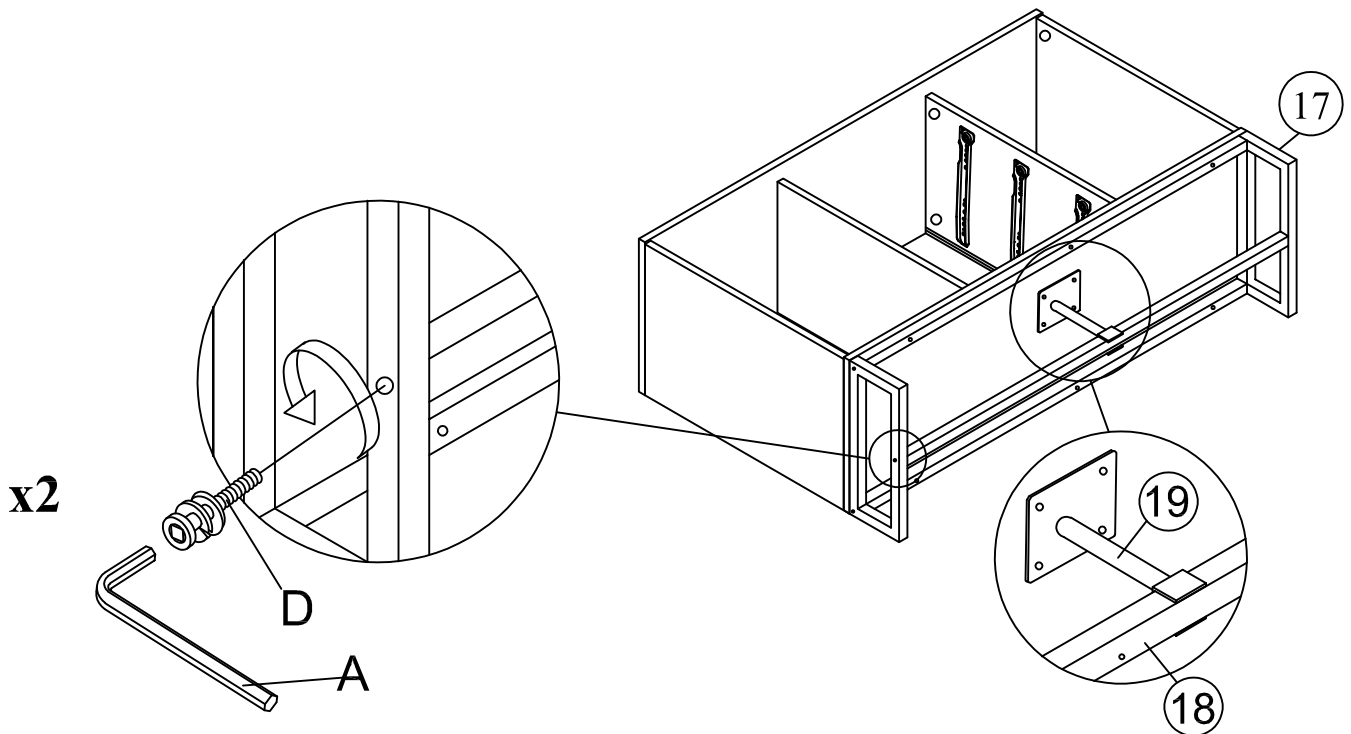
CODING
-344036



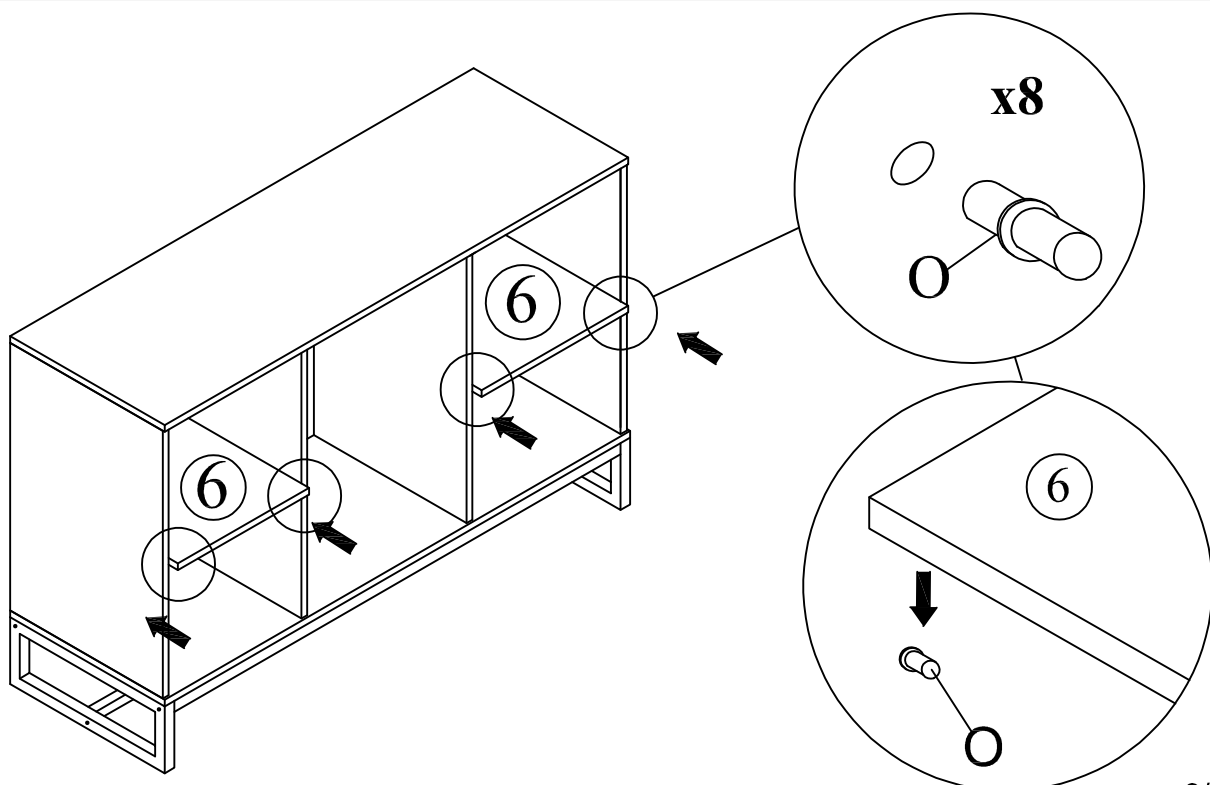
ISO 9001: 2015
Reg. No. 000435-1-MY-1-QMS

LUOMA.COM

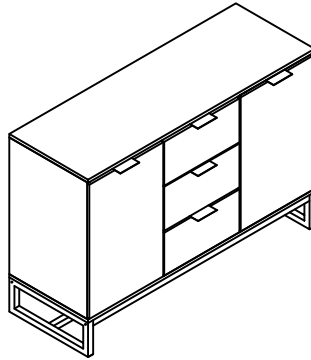
15



16



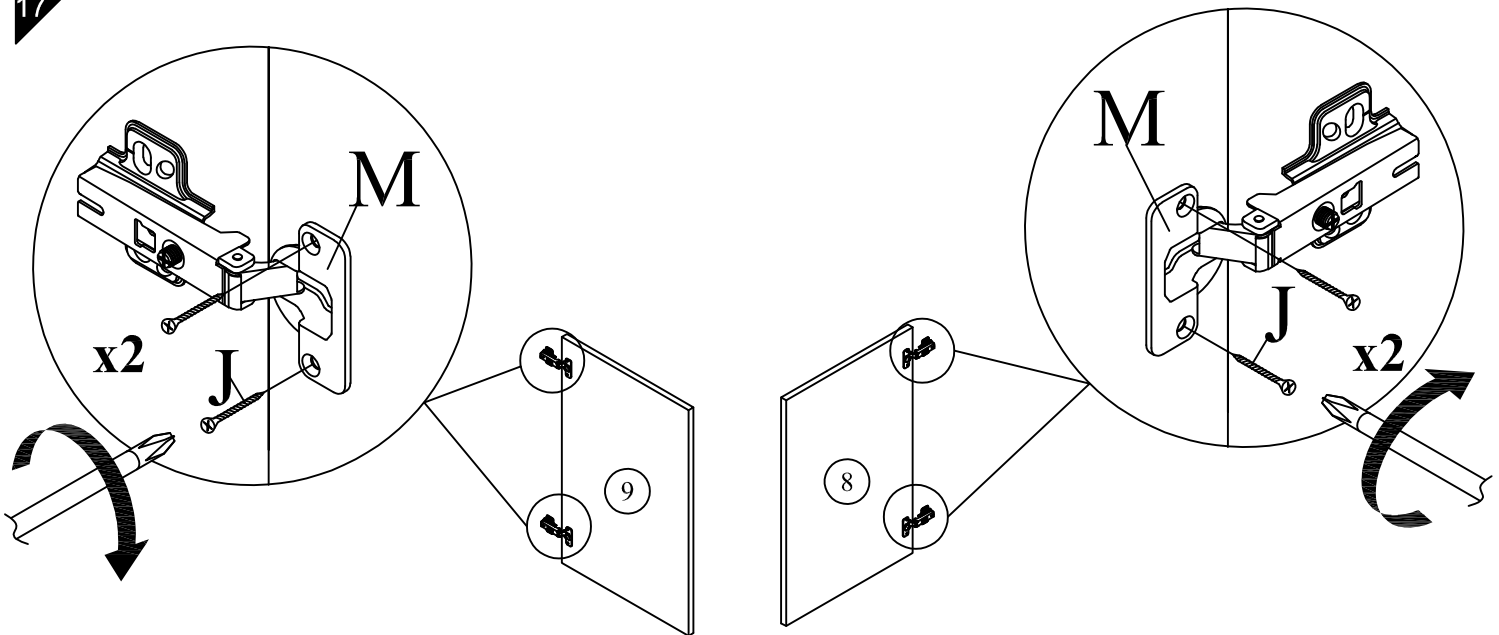
CODING
-344036



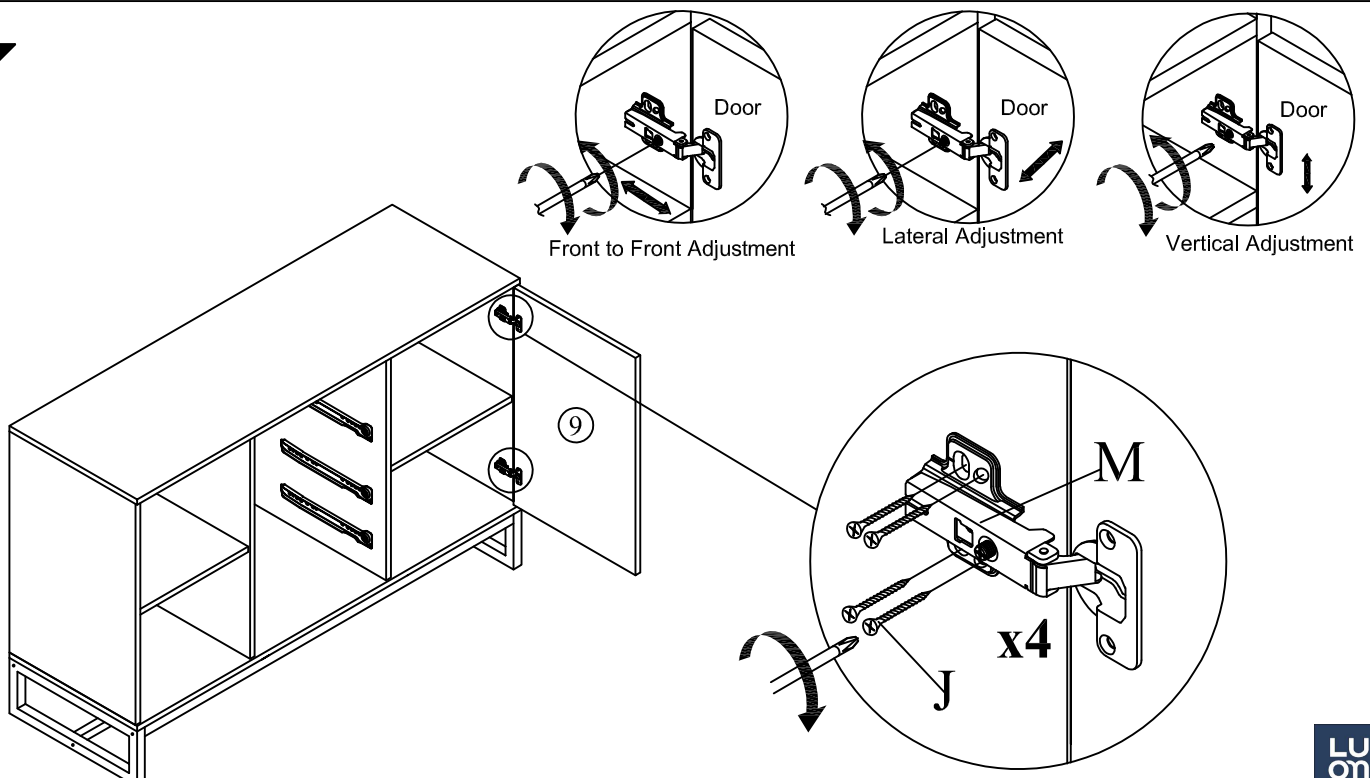
ISO 9001: 2015
Reg. No. 000435-1-MY-1-QMS

LUOMA.COM

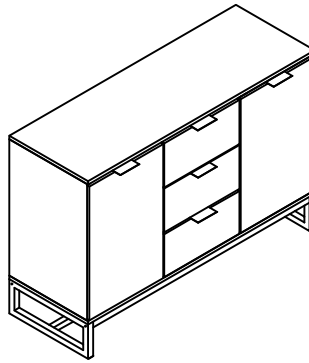
17



18



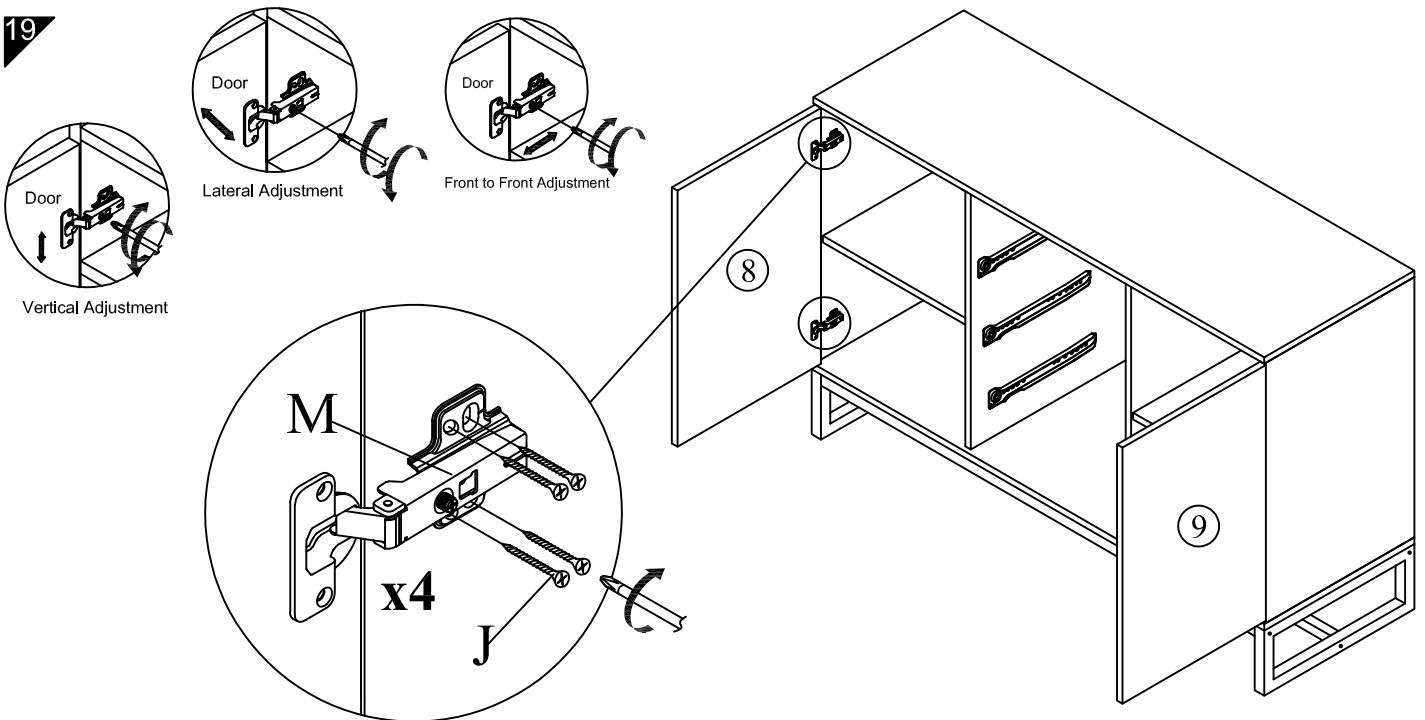
CODING
-344036



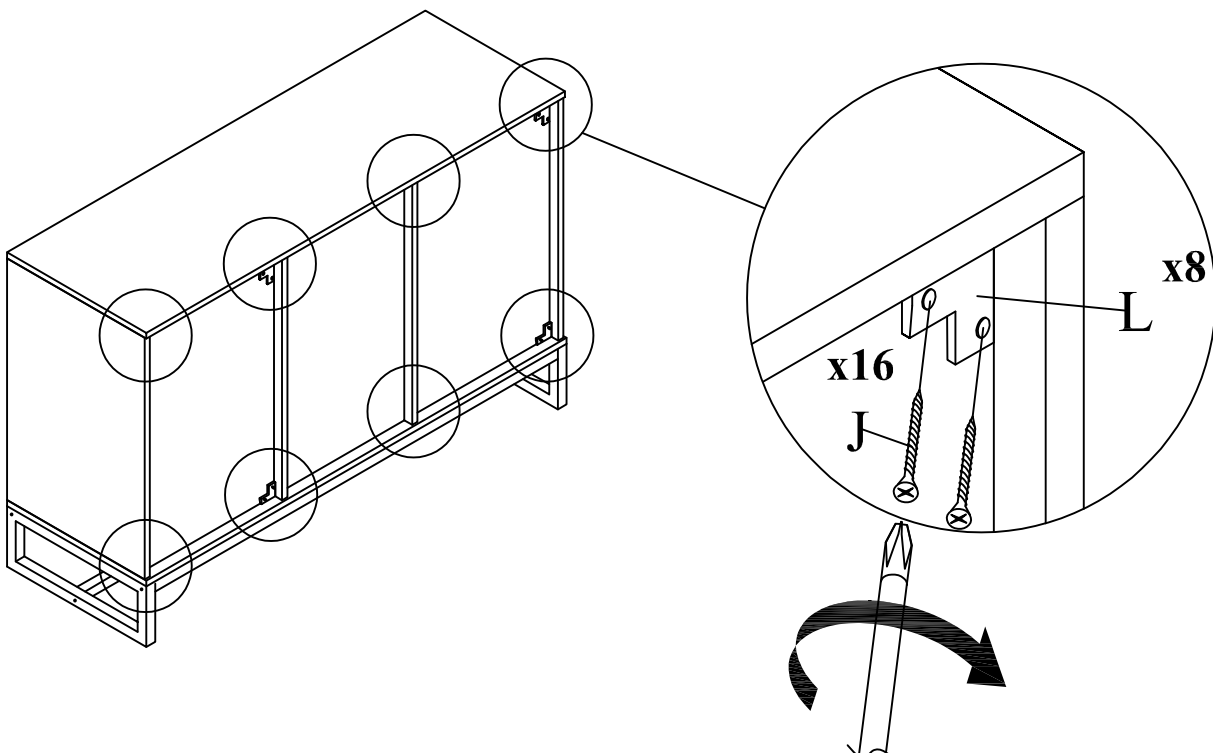
ISO 9001: 2015
Reg. No. 000435-1-MY-1-QMS

LUOMA.COM

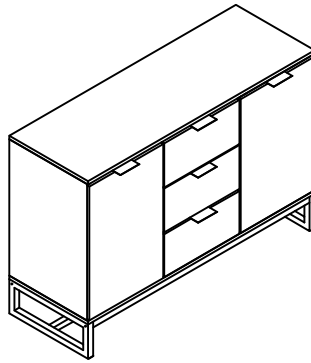
19



20



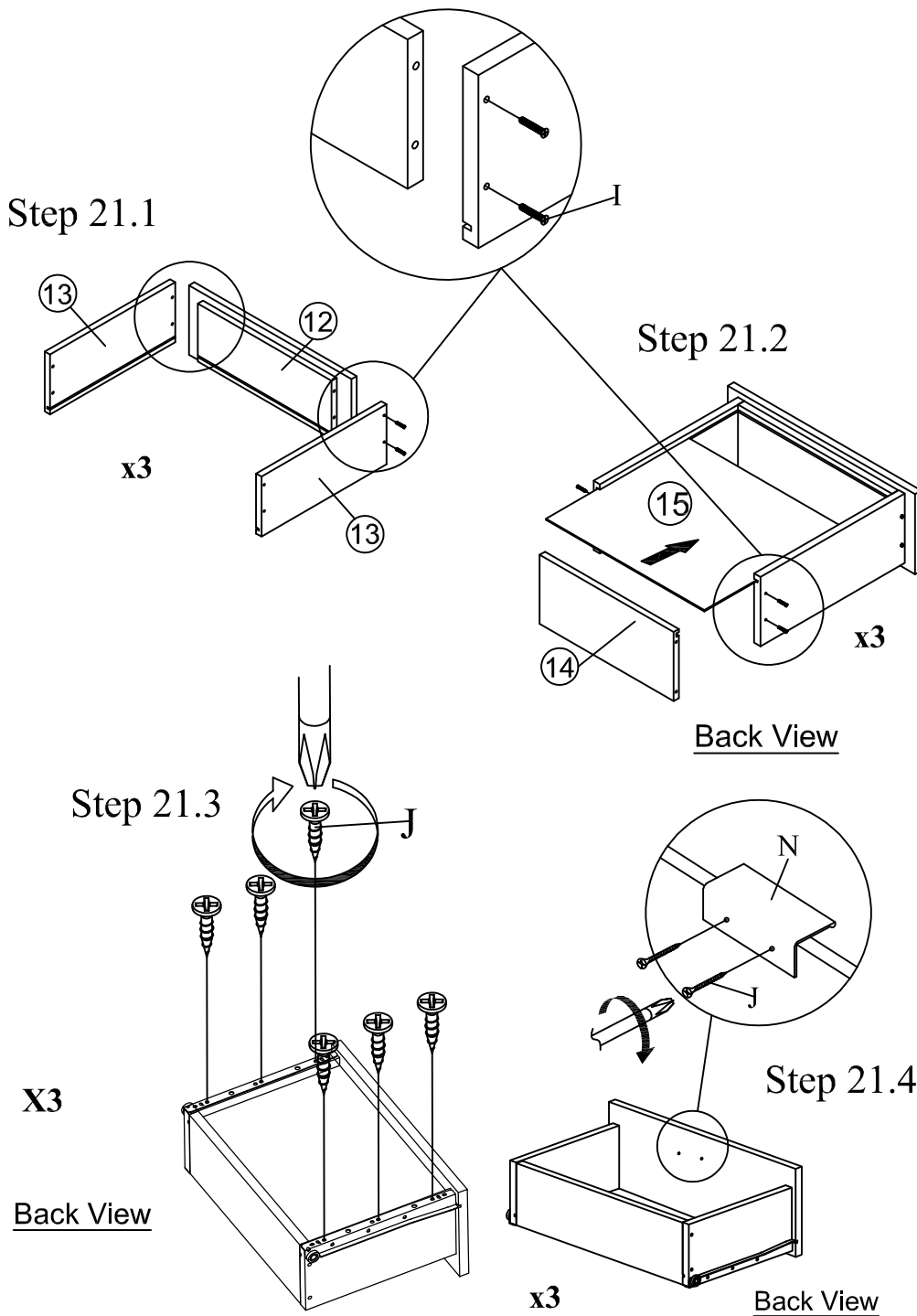
CODING
-344036



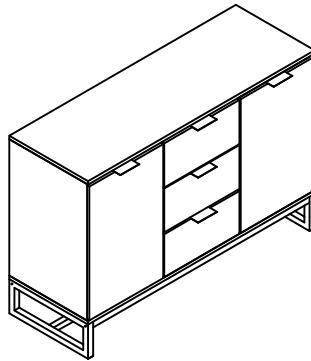
ISO 9001: 2015
Reg. No. 000435-1-MY-1-QMS

LUOMA.COM

21



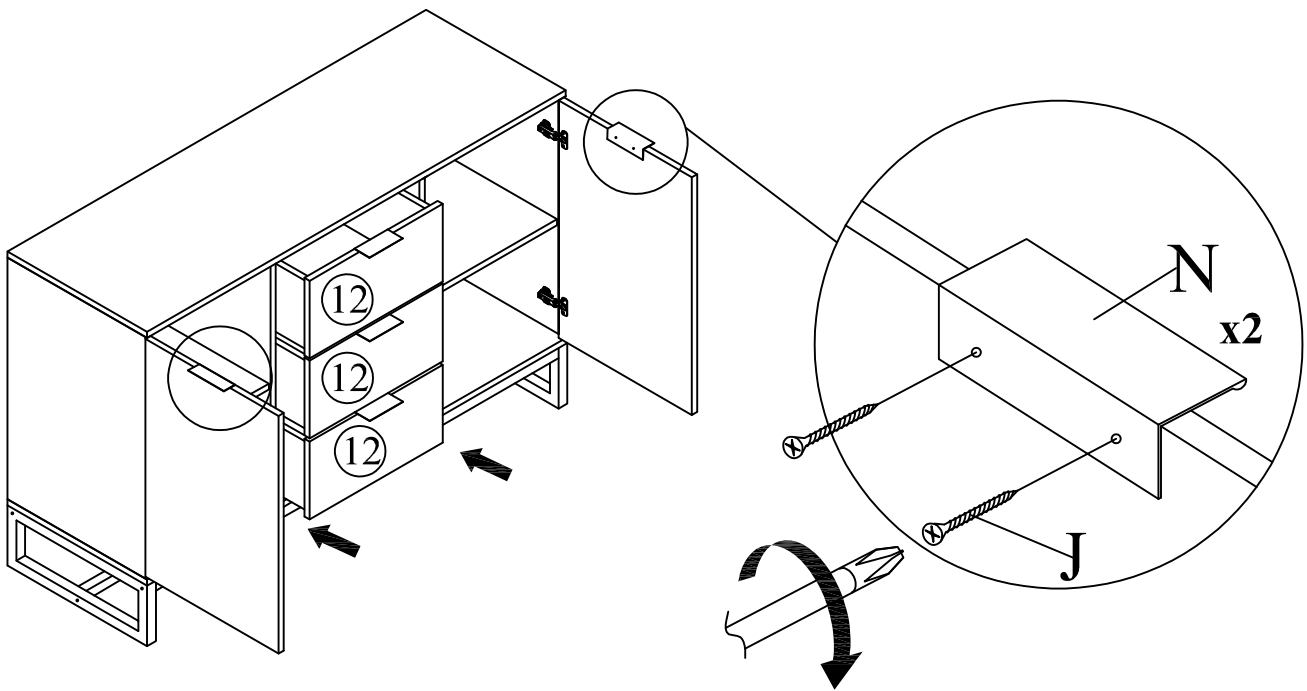
CODING
-344036



ISO 9001: 2015
Reg. No. 000435-1-MY-1-QMS

LUOMA.COM

22



23

