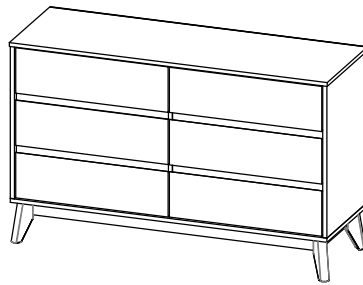


**CODING**  
- 344032



ISO 9001:2015  
Reg. No. 07035-1-MY-1-QMS

**nuhoom.com**

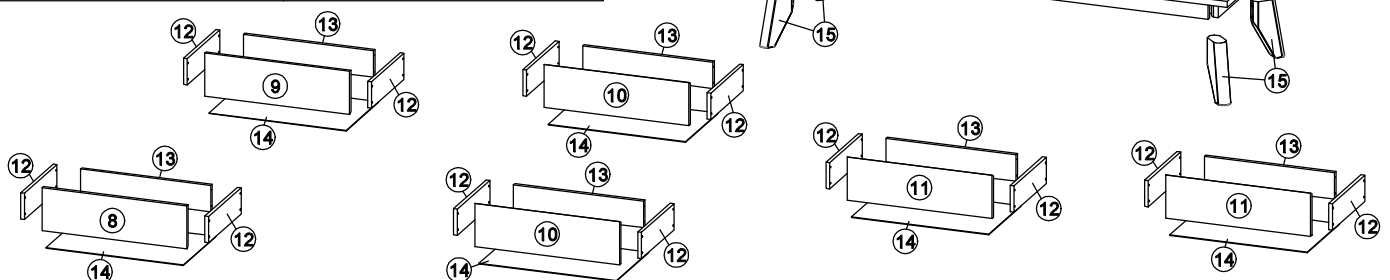
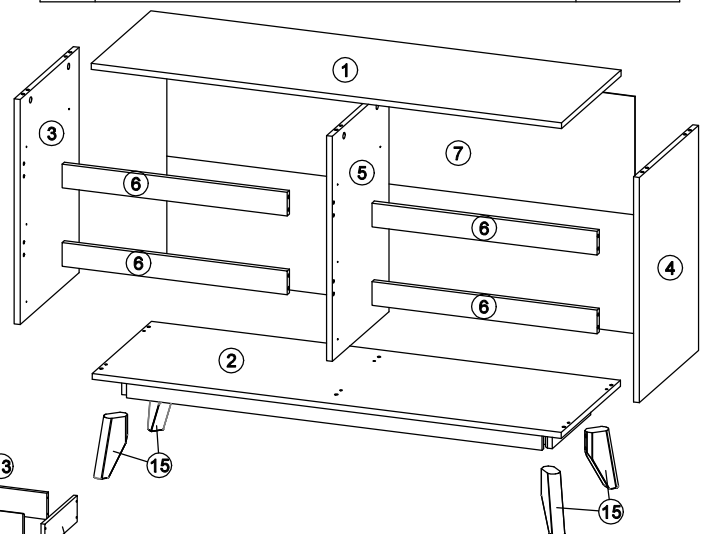
Read the instructions carefully. Remove all the wrappings, staples and straps from the carton. Refer to the hardware and furniture part list for guidance. Make sure that you have all the parts before you start assembling. Place all the wooden furniture parts on a clean, flat and soft surface, such as a carpet or rubbermat to prevent scratches.

**CAUTION**  
KEEP ALL THE PARTS OUT OF CHILDREN'S REACH.

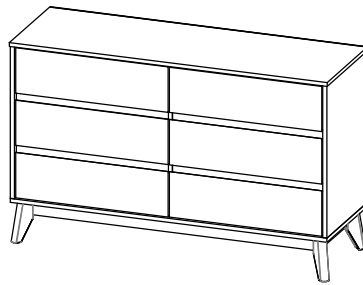
PART LIST		QTY
1	TOP PANEL	1 PC
2	BOTTOM PANEL	1 PC
3	SIDE PANEL (L)	1 PC
4	SIDE PANEL (R)	1 PC
5	CENTER PANEL	1 PC
6	BONE PANEL	4 PCS
7	BACK PANEL	1 PC
8	DRAWER FRONT UP (L)	1 PC
9	DRAWER FRONT UP (R)	1 PC
10	DRAWER FRONT DOWN (L)	2 PCS
11	DRAWER FRONT DOWN (R)	2 PCS
12	DRAWER SIDE	12 PCS
13	DRAWER BACK	6 PCS
14	DRAWER BOTTOM	6 PCS
15	LEG	4 PCS

HARDWARE			
A	MINI FIX	A1  A2  A3	6 SETS
B	M8 X 30MM WOOD DOWEL		28 PCS
C	M6 X 50MM CSK CAP WOOD SCREW		6 PCS
D	ALLEN KEY M4		1 PC
E	M3.5 X 16MM C.B SCREW		88 PCS
F	M4 X 38MM C.B SCREW		48 PCS
G	JCBC Screw M6 x 70		8 PCS
H	SPRING WASHER M6		8 PCS
I	FLAT WASHER M6		8 PCS
J	ONE HOLE L BRACKET (2MM)		8 PCS
K	5/8 NAIL		65 PCS
L	14" DRAWER SLIDE	L1 (L/R) L2 (L/R)	6 SETS
M	TIPPING PACK	M1  M2  M3  M4  M5	2 SETS

SELF-PREPARED TOOLS: Tools below are NOT included in package.	
	SCREWDRIVER
	HAMMER



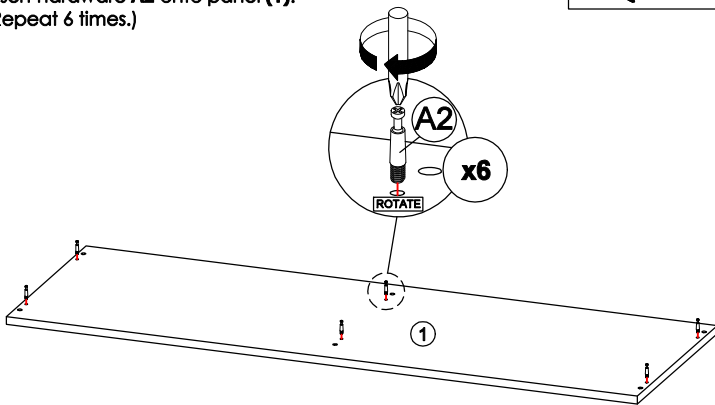
**CODING**  
- 344032



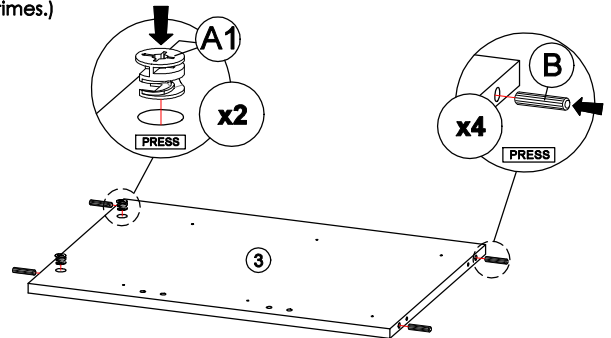
ISO 9001:2015  
Reg. No. 000435-1-MY-1-QMS

nuhoom.com

**STEP 1**  
Insert hardware **A2** onto panel (1).  
(Repeat 6 times.)

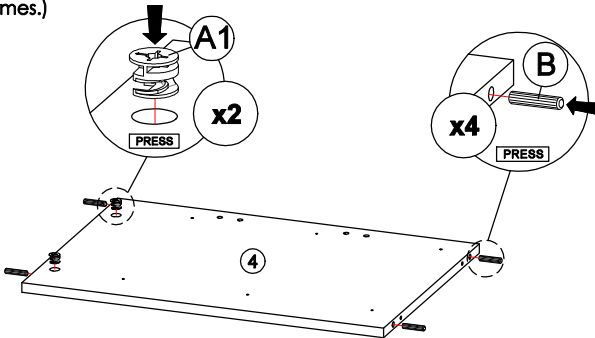


**STEP 2**  
- Insert hardware **A1** onto panel (3).  
(Repeat 2 times.)  
- Insert hardware **B** onto panel (3).  
(Repeat 4 times.)



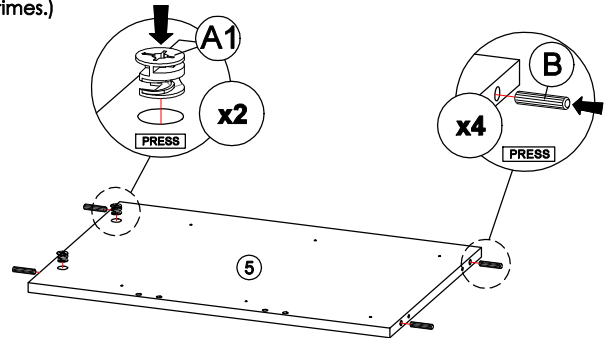
\* Ensure the arrows on hardware **A1** point towards mounting positions.

**STEP 3**  
- Insert hardware **A1** onto panel (4).  
(Repeat 2 times.)  
- Insert hardware **B** onto panel (4).  
(Repeat 4 times.)



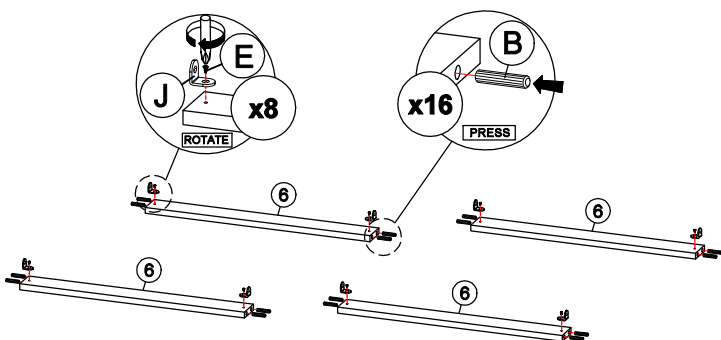
\* Ensure the arrows on hardware **A1** point towards mounting positions.

**STEP 4**  
- Insert hardware **A1** onto panel (5).  
(Repeat 2 times.)  
- Insert hardware **B** onto panel (5).  
(Repeat 4 times.)

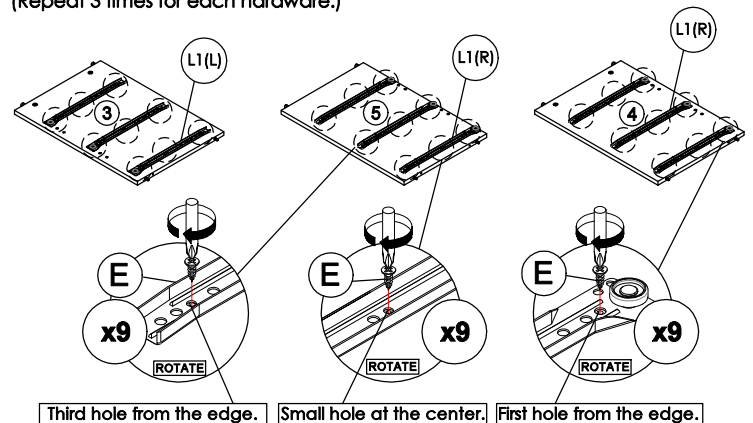


\* Ensure the arrows on hardware **A1** point towards mounting positions.

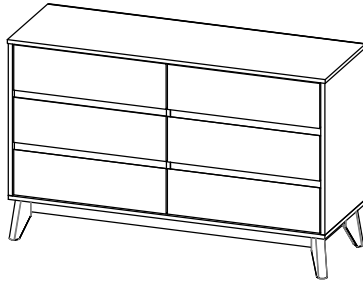
**STEP 5**  
- Insert hardware **B** onto panel (6).  
(Repeat 16 times.)  
- Fix hardware **J** onto panel (6) by using hardware **E**.  
(Repeat 8 times.)



**STEP 6**  
Fix hardware **L1 (L/R)** into panel (3), (4) and (5) with hardware **E**.  
(Repeat 3 times for each hardware.)



**CODING**  
- 344032

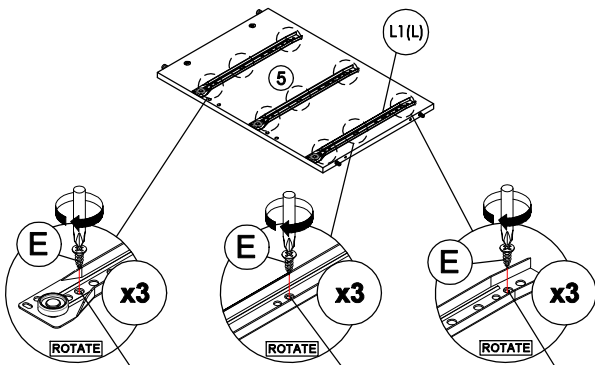


ISO 9001:2015  
Reg. No. 000436-1-MY-1-QMS

nuhoom.com

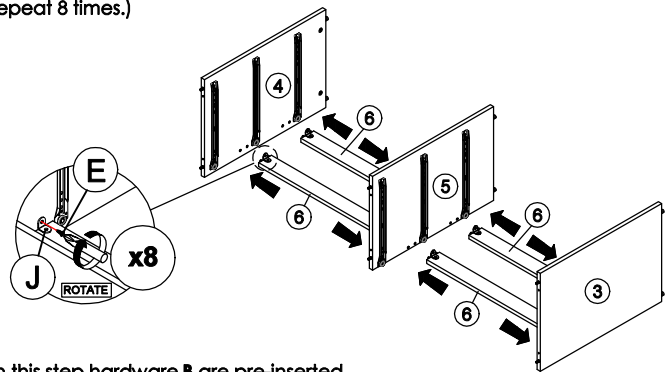
**STEP 7**

Fix hardware L1 (L) into panel (5) with hardware E.  
(Repeat 3 times for each hardware.)



**STEP 8**

- Attach panel (6) to panel (3), (4) and (5).  
(Repeat 4 times.)  
- Assemble hardware J to the side panel (3), (4) and (5) with hardware E.  
(Repeat 8 times.)

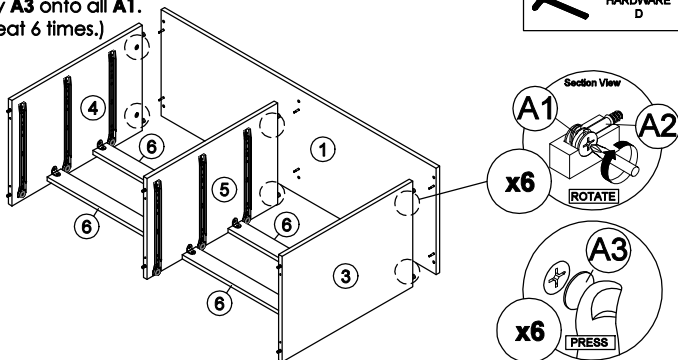


**STEP 9**

- Attach panel (1) to panel (3), (4) and (5).  
- Insert all hardware A2 into A1.  
- Rotate all A1 until tight.  
- Apply A3 onto all A1.  
(Repeat 6 times.)



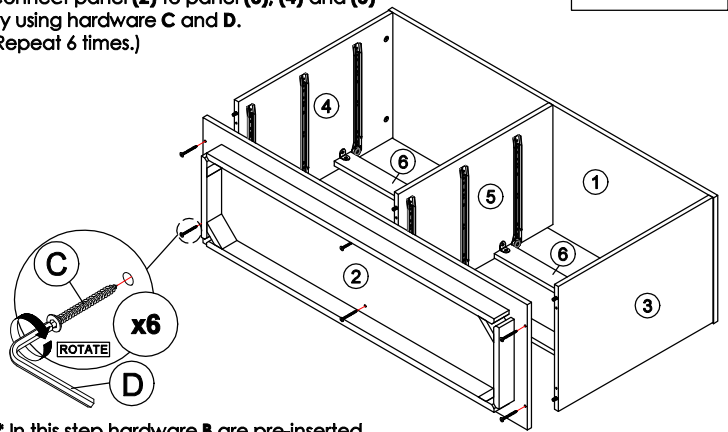
OR



\* In this step hardware B are pre-inserted.

**STEP 10**

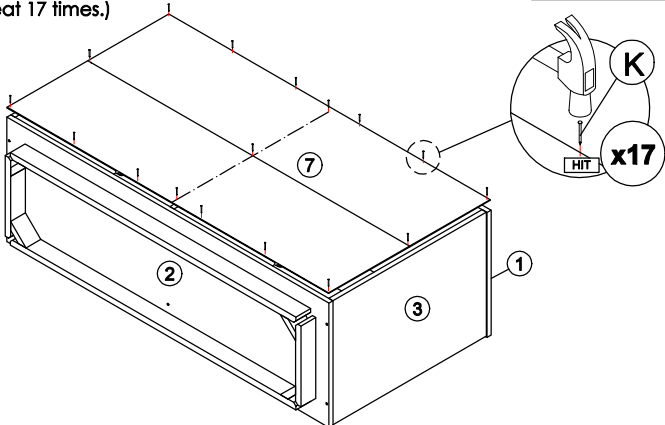
Connect panel (2) to panel (3), (4) and (5) by using hardware C and D.  
(Repeat 6 times.)



\* In this step hardware A1, A2 and B are pre-inserted.

**STEP 11**

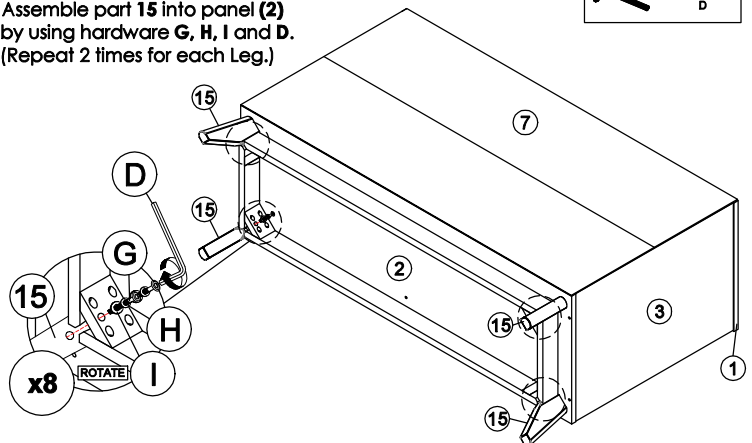
Assemble panel (7) to entire body with hardware K.  
(Repeat 17 times.)



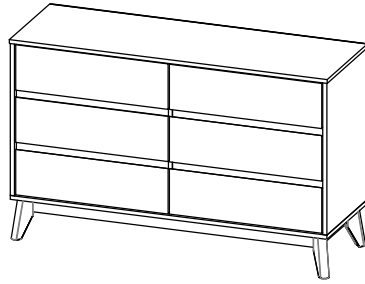
\* In this step hardware B are pre-inserted.

**STEP 12**

Assemble part 15 into panel (2) by using hardware G, H, I and D.  
(Repeat 2 times for each Leg.)



**CODING**  
- 344032



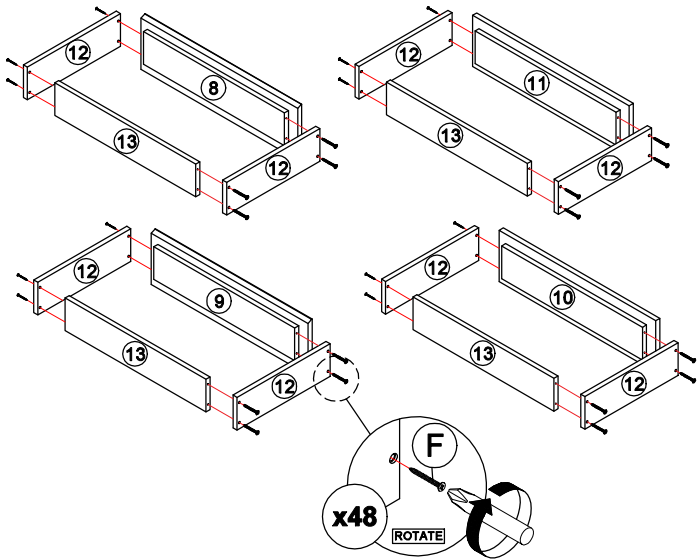
ISO 9001:2015  
Reg. No. 000435-1-MY-1-QMS

nuhoom.com

**STEP 13**

Assemble panel (12) to panel (8) / (9) / (10) / (11) and (13) by using hardware F. (Repeat 48 times.)

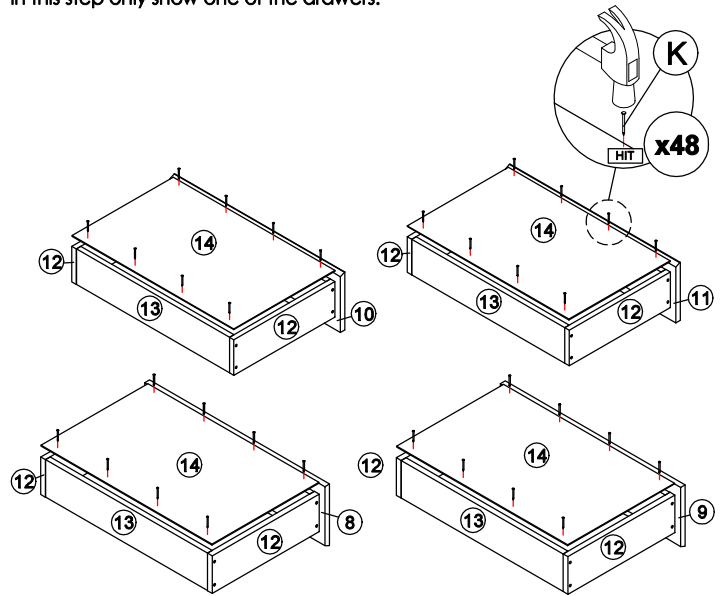
\* In this step only show one of the drawers.



**STEP 14**

Assemble panel (14) to entire body with hardware K. (Repeat 48 times.)

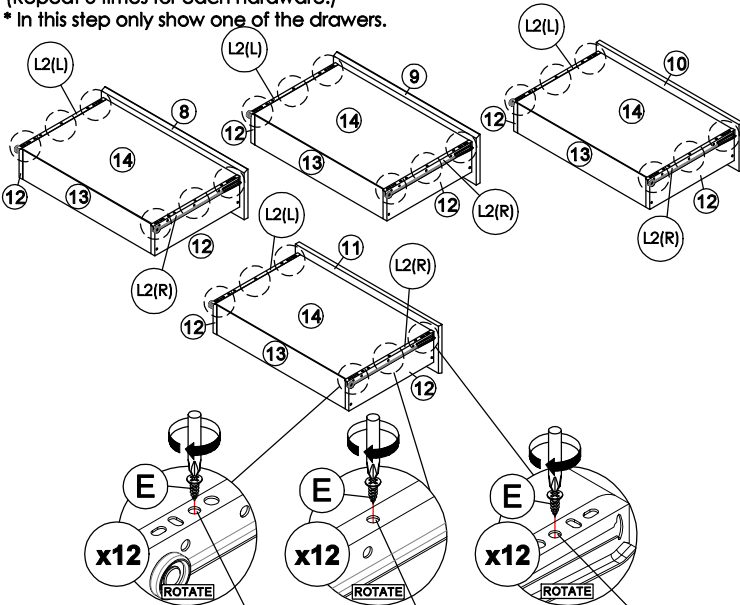
\* In this step only show one of the drawers.



**STEP 15**

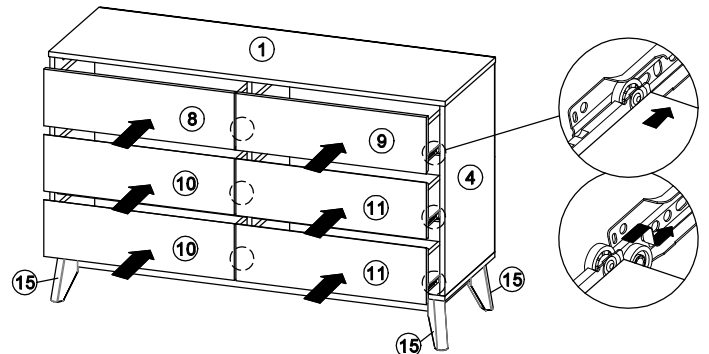
Assemble hardware L2 (L/R) to panel (14) by using hardware E. (Repeat 3 times for each hardware.)

\* In this step only show one of the drawers.



**STEP 16**

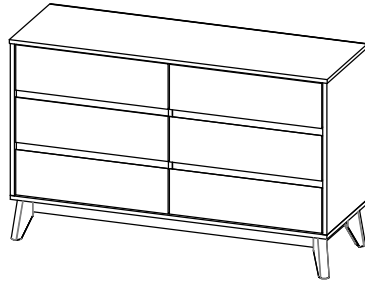
Put all the drawer in place along the drawer slides.



Third hole from the edge.    Hole at the center.    Third hole from the edge.

\*Hardware L2 (L/R) shall be leaning against panel (8), (9), (10) and (11) when assembling.

**CODING**  
- 344032

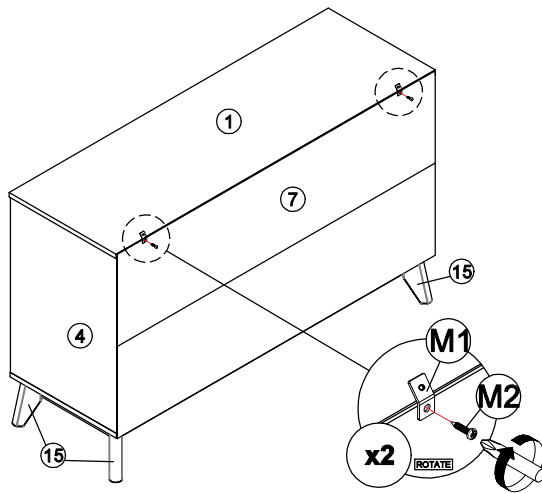


ISO 9001:2015  
Reg. No. 000435-1-MY-1-QMS

nuhoom.com

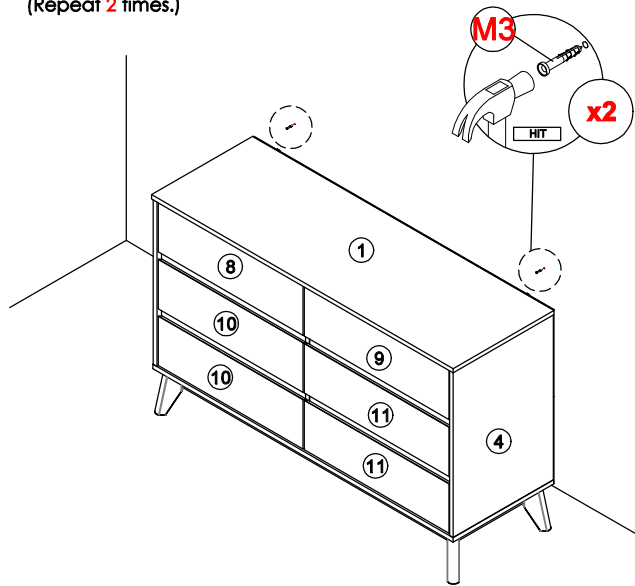
**STEP 17**

Assemble hardware **M1** into panel **(1)** and **(7)** by using hardware **M2**.  
(Repeat **2** times.)



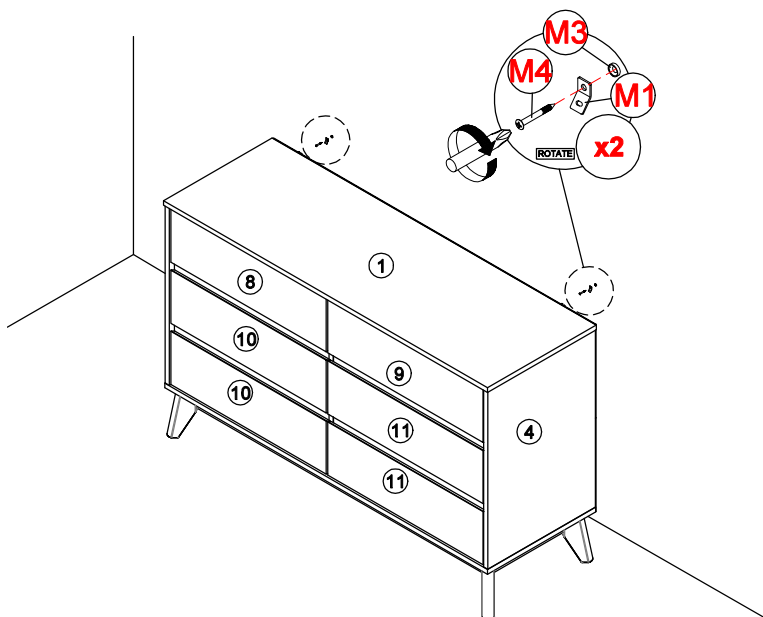
**STEP 18**

- Mark and use the power drill to drill a hole on the wall.  
- Hit hardware **M3** into the wall.  
(Repeat **2** times.)



**STEP 19**

- Assemble hardware **M1** to **M3** by using hardware **M4**.  
(Repeat **2** times.)



**STEP 20**

- Connect both of the hardware **M1** by using hardware **M5**.  
- Tighten the hardware **M5**.  
(Repeat **2** times.)

