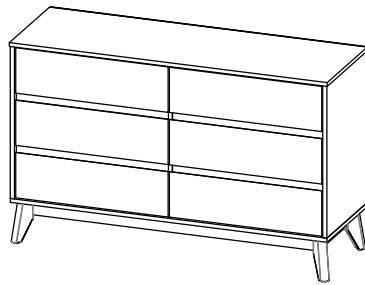


**CODING**  
- 344031



ISO 9001:2015  
Reg. No. 000435-1-MY-1-QMS

**nuhoom.com**

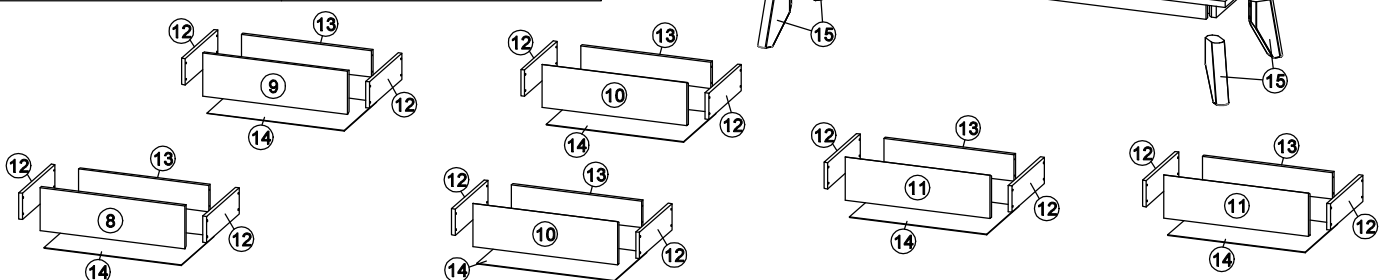
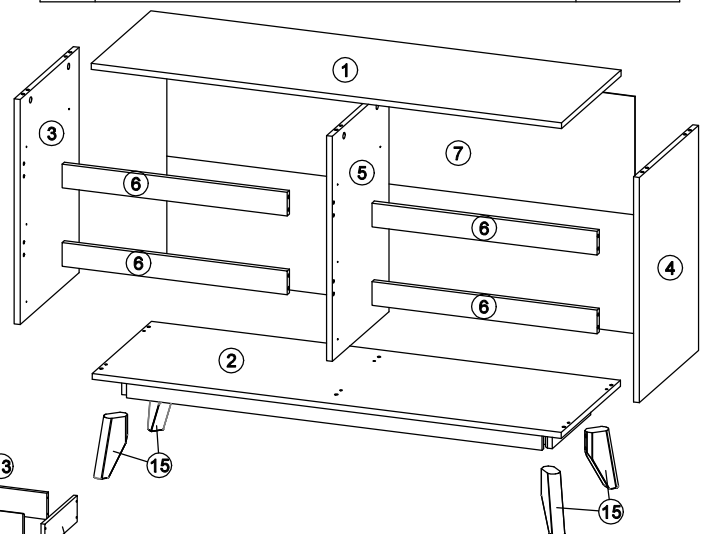
Read the instructions carefully. Remove all the wrappings, staples and straps from the carton. Refer to the hardware and furniture part list for guidance. Make sure that you have all the parts before you start assembling. Place all the wooden furniture parts on a clean, flat and soft surface, such as a carpet or rubbermat to prevent scratches.

CAUTION  
KEEP ALL THE PARTS OUT OF CHILDREN'S REACH.

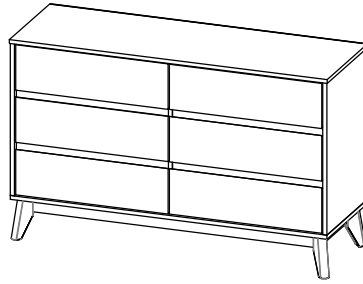
| PART LIST |                       | QTY    |
|-----------|-----------------------|--------|
| 1         | TOP PANEL             | 1 PC   |
| 2         | BOTTOM PANEL          | 1 PC   |
| 3         | SIDE PANEL (L)        | 1 PC   |
| 4         | SIDE PANEL (R)        | 1 PC   |
| 5         | CENTER PANEL          | 1 PC   |
| 6         | BONE PANEL            | 4 PCS  |
| 7         | BACK PANEL            | 1 PC   |
| 8         | DRAWER FRONT UP (L)   | 1 PC   |
| 9         | DRAWER FRONT UP (R)   | 1 PC   |
| 10        | DRAWER FRONT DOWN (L) | 2 PCS  |
| 11        | DRAWER FRONT DOWN (R) | 2 PCS  |
| 12        | DRAWER SIDE           | 12 PCS |
| 13        | DRAWER BACK           | 6 PCS  |
| 14        | DRAWER BOTTOM         | 6 PCS  |
| 15        | LEG                   | 4 PCS  |

| HARDWARE |                              |                      |        |
|----------|------------------------------|----------------------|--------|
| A        | MINI FIX                     | A1  A2  A3           | 6 SETS |
| B        | M8 X 30MM WOOD DOWEL         |                      | 28 PCS |
| C        | M6 X 50MM CSK CAP WOOD SCREW |                      | 6 PCS  |
| D        | ALLEN KEY M4                 |                      | 1 PC   |
| E        | M3.5 X 16MM C.B SCREW        |                      | 88 PCS |
| F        | M4 X 38MM C.B SCREW          |                      | 48 PCS |
| G        | JCBC Screw M6 x 70           |                      | 8 PCS  |
| H        | SPRING WASHER M6             |                      | 8 PCS  |
| I        | FLAT WASHER M6               |                      | 8 PCS  |
| J        | ONE HOLE L BRACKET (2MM)     |                      | 8 PCS  |
| K        | 5/8 NAIL                     |                      | 65 PCS |
| L        | 14" DRAWER SLIDE             | L1 (L/R)<br>L2 (L/R) | 6 SETS |
| M        | TIPPING PACK                 |                      | 2 SETS |

| SELF-PREPARED TOOLS: Tools below are NOT included in package. |             |
|---|-------------|
|   | SCREWDRIVER |
|   | HAMMER      |



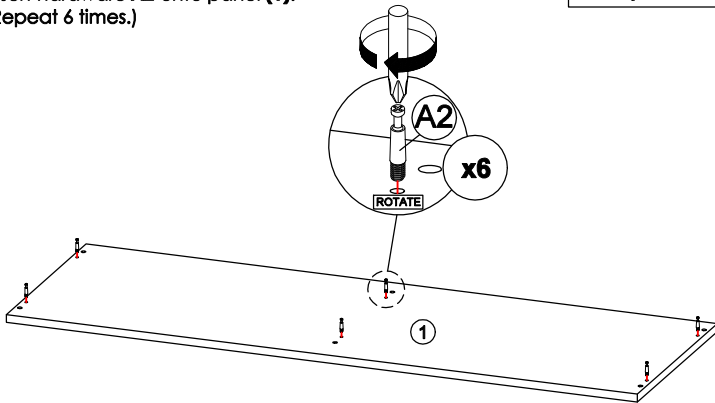
**CODING**  
- 344031



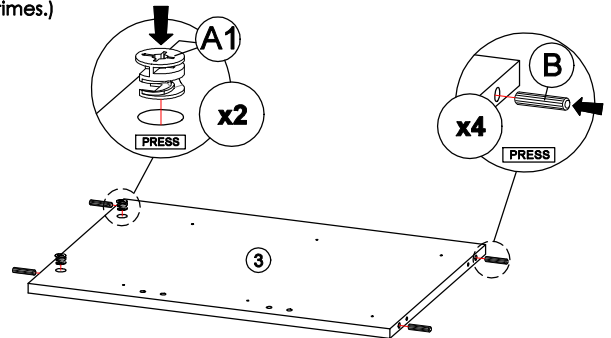
ISO 9001:2015  
Reg. No. 000435-1-MY-1-QMS

nuhoom.com

**STEP 1**  
Insert hardware **A2** onto panel (1).  
(Repeat 6 times.)

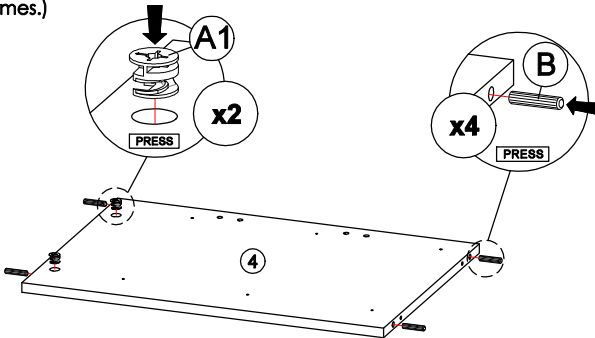


**STEP 2**  
- Insert hardware **A1** onto panel (3).  
(Repeat 2 times.)  
- Insert hardware **B** onto panel (3).  
(Repeat 4 times.)



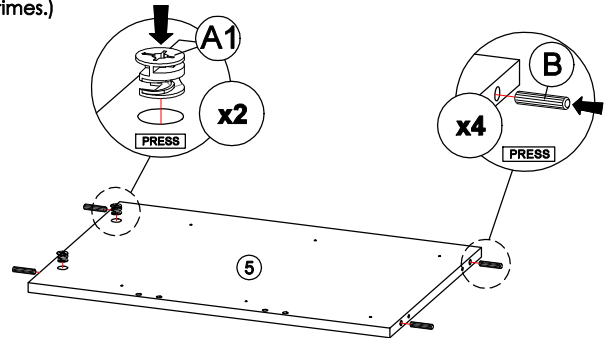
\* Ensure the arrows on hardware **A1** point towards mounting positions.

**STEP 3**  
- Insert hardware **A1** onto panel (4).  
(Repeat 2 times.)  
- Insert hardware **B** onto panel (4).  
(Repeat 4 times.)



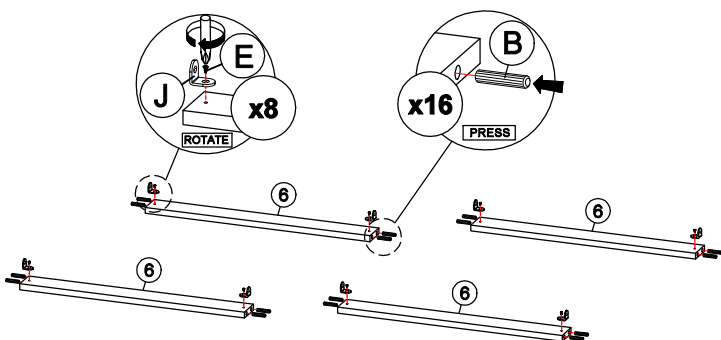
\* Ensure the arrows on hardware **A1** point towards mounting positions.

**STEP 4**  
- Insert hardware **A1** onto panel (5).  
(Repeat 2 times.)  
- Insert hardware **B** onto panel (5).  
(Repeat 4 times.)

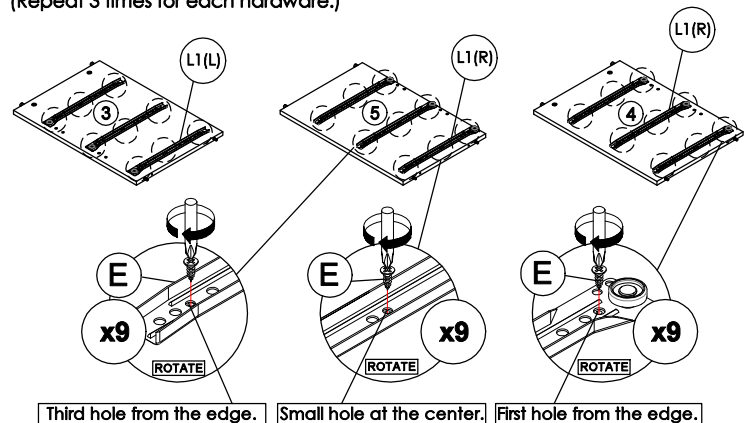


\* Ensure the arrows on hardware **A1** point towards mounting positions.

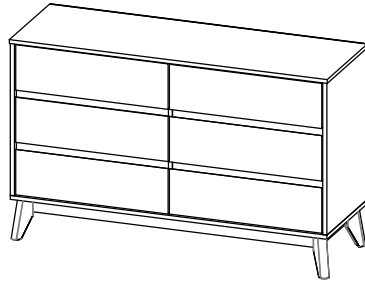
**STEP 5**  
- Insert hardware **B** onto panel (6).  
(Repeat 16 times.)  
- Fix hardware **J** onto panel (6) by using hardware **E**.  
(Repeat 8 times.)



**STEP 6**  
Fix hardware **L1 (L/R)** into panel (3), (4) and (5) with hardware **E**.  
(Repeat 3 times for each hardware.)



**CODING**  
- 344031

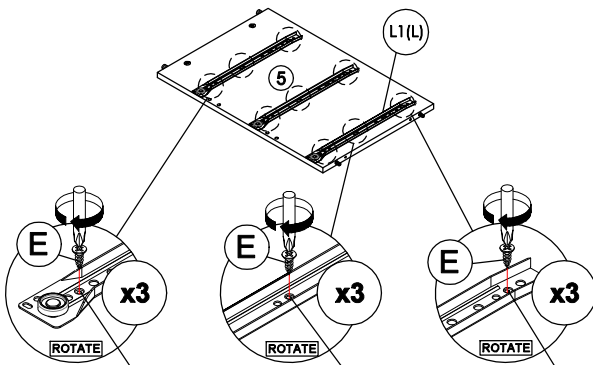


ISO 9001:2015  
Reg. No. 070435-1-MY-1-QMS

nuhoom.com

**STEP 7**

Fix hardware L1 (L) into panel (5) with hardware E.  
(Repeat 3 times for each hardware.)



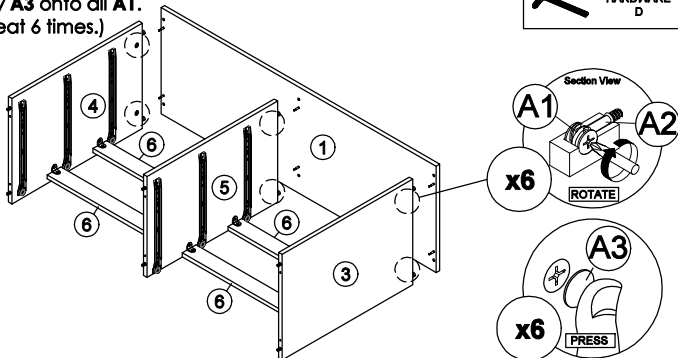
Second hole from the edge. Big hole at the center. Second hole from the edge.

**STEP 9**

- Attach panel (1) to panel (3), (4) and (5).  
- Insert all hardware A2 into A1.  
- Rotate all A1 until tight.  
- Apply A3 onto all A1.  
(Repeat 6 times.)



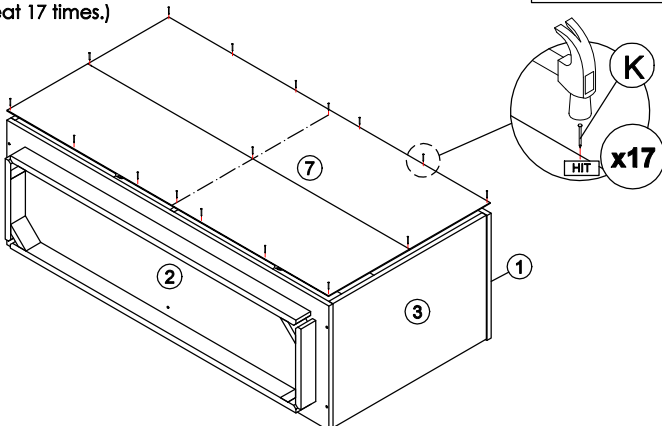
OR



\* In this step hardware A1, A2 and B are pre-inserted.

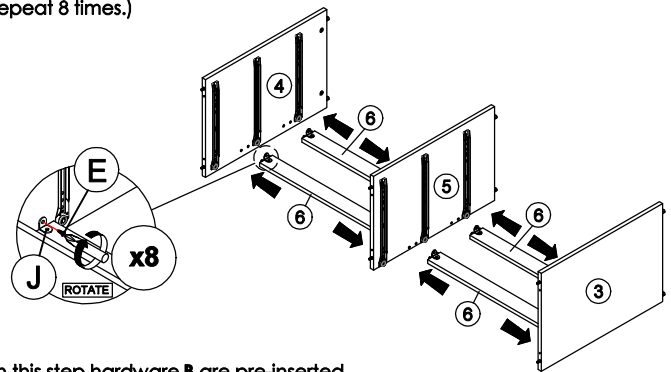
**STEP 11**

Assemble panel (7) to entire body with hardware K.  
(Repeat 17 times.)



**STEP 8**

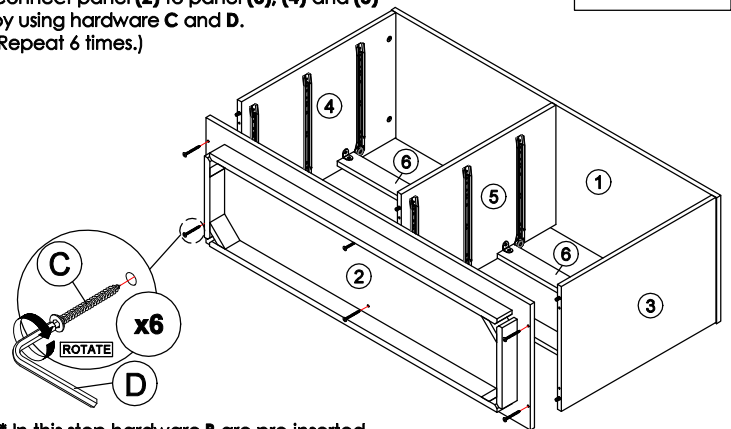
- Attach panel (6) to panel (3), (4) and (5).  
(Repeat 4 times.)  
- Assemble hardware J to the side panel (3), (4) and (5) with hardware E.  
(Repeat 8 times.)



\* In this step hardware B are pre-inserted.

**STEP 10**

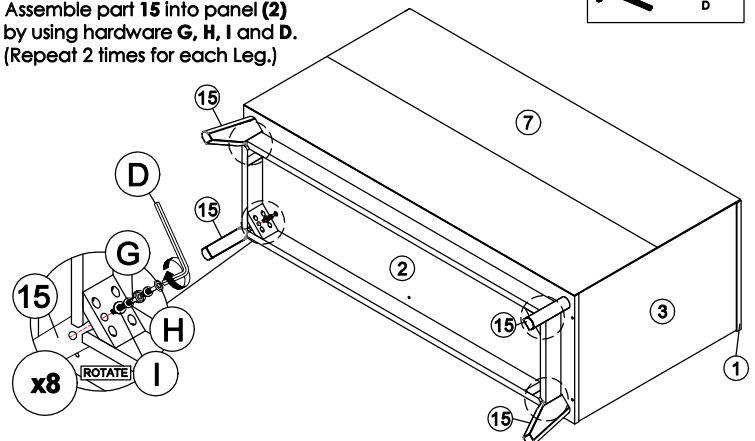
Connect panel (2) to panel (3), (4) and (5) by using hardware C and D.  
(Repeat 6 times.)



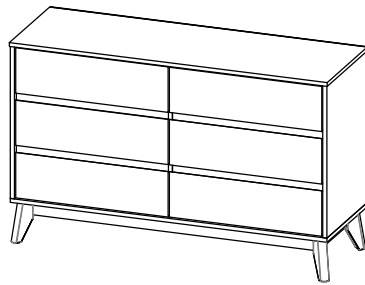
\* In this step hardware B are pre-inserted.

**STEP 12**

Assemble part 15 into panel (2) by using hardware G, H, I and D.  
(Repeat 2 times for each Leg.)



**CODING**  
- 344031



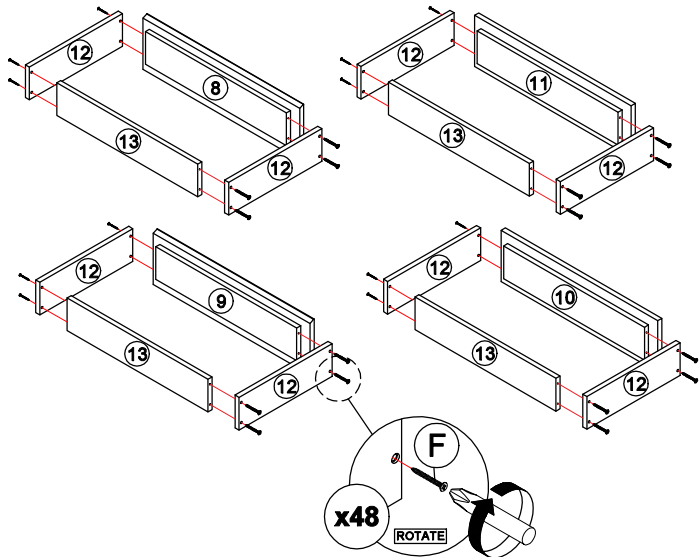
ISO 9001:2015  
Reg. No. 000435-1-MY-1-QMS

nuhoom.com

**STEP 13**

Assemble panel (12) to panel (8) / (9) / (10) / (11) and (13) by using hardware F. (Repeat 48 times.)

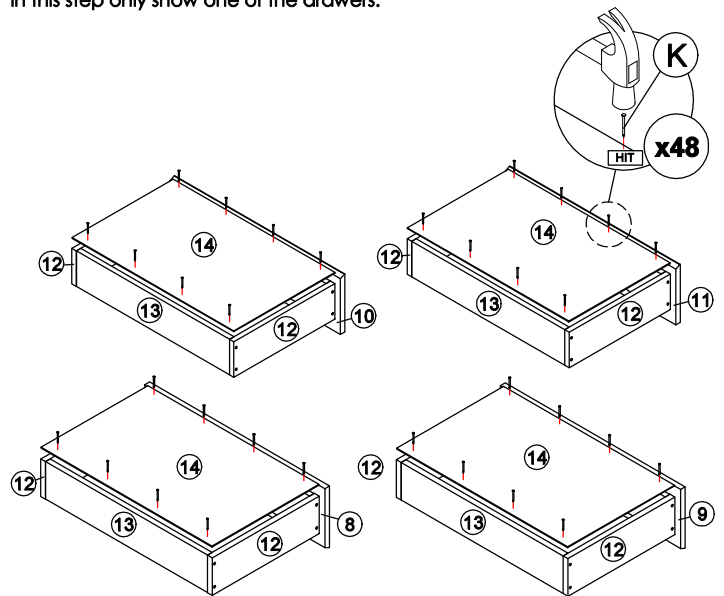
\* In this step only show one of the drawers.



**STEP 14**

Assemble panel (14) to entire body with hardware K. (Repeat 48 times.)

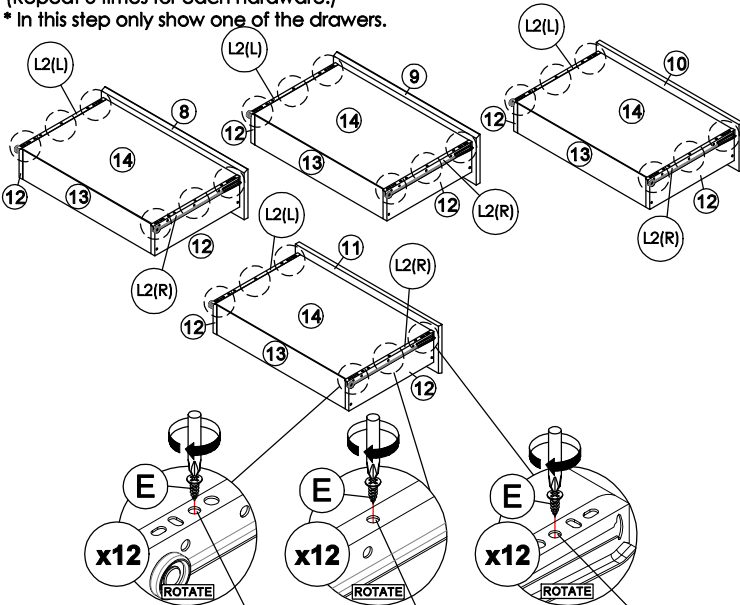
\* In this step only show one of the drawers.



**STEP 15**

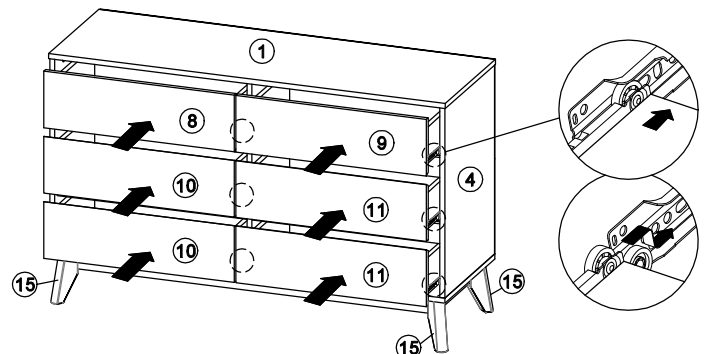
Assemble hardware L2 (L/R) to panel (14) by using hardware E. (Repeat 3 times for each hardware.)

\* In this step only show one of the drawers.



**STEP 16**

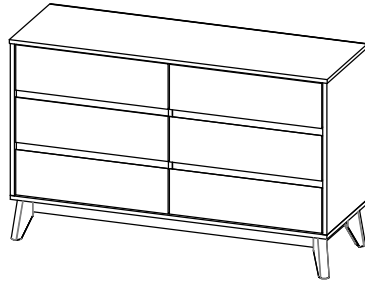
Put all the drawer in place along the drawer slides.



Third hole from the edge. Hole at the center. Third hole from the edge.

\*Hardware L2 (L/R) shall be leaning against panel (8), (9), (10) and (11) when assembling.

**CODING**  
- 344031

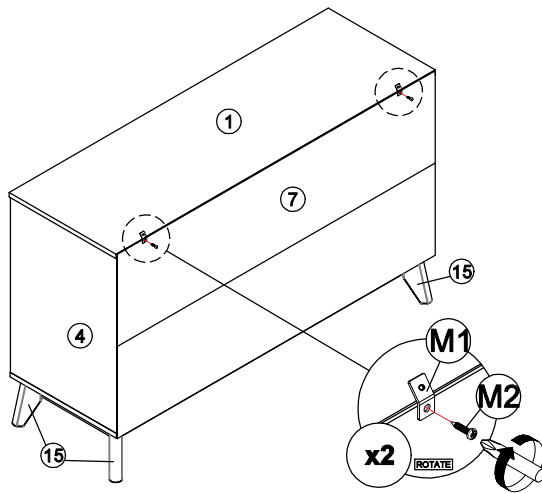


ISO 9001:2015  
Reg. No. 000435-1-MY-1-QMS

nuhoom.com

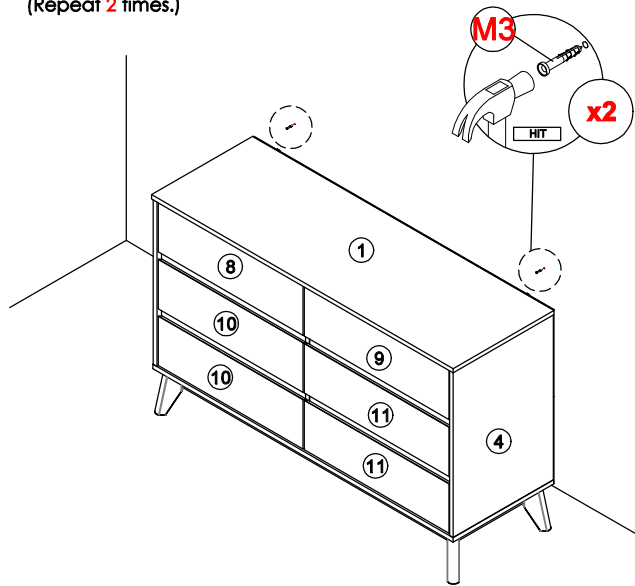
**STEP 17**

Assemble hardware **M1** into panel **(1)** and **(7)** by using hardware **M2**.  
(Repeat **2** times.)



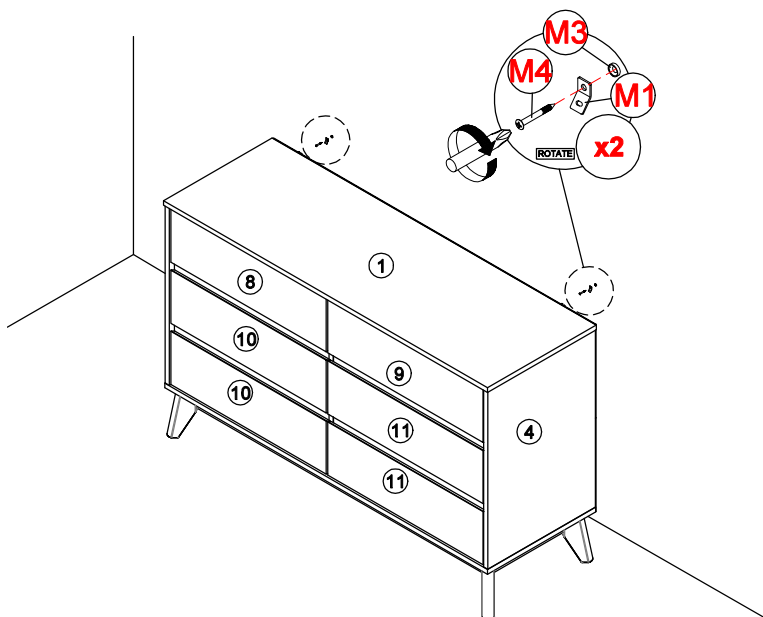
**STEP 18**

- Mark and use the power drill to drill a hole on the wall.  
- Hit hardware **M3** into the wall.  
(Repeat **2** times.)



**STEP 19**

- Assemble hardware **M1** to **M3** by using hardware **M4**.  
(Repeat **2** times.)



**STEP 20**

- Connect both of the hardware **M1** by using hardware **M5**.  
- Tighten the hardware **M5**.  
(Repeat **2** times.)

