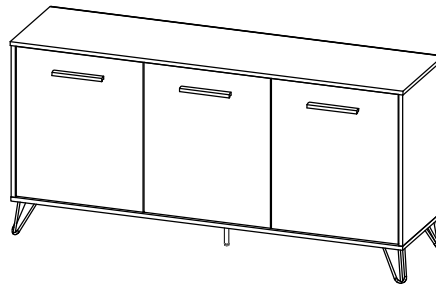


**CODING**  
- 344029



ISO 9001:2015  
Reg. No. 000435-1-MY-1-QMS

**nuhoom.com**

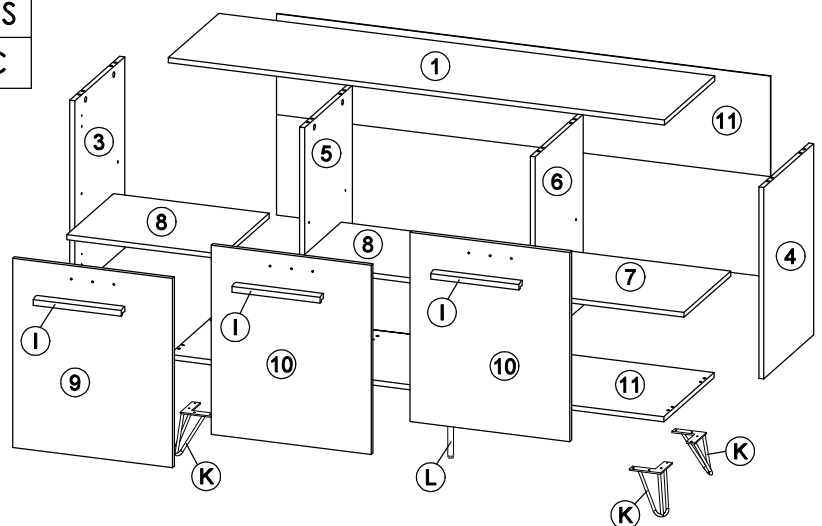
Read the instructions carefully. Remove all the wrappings , staples and straps from the carton. Refer to the hardware and furniture part list for guidance. Make sure that you have all the parts before you start assembling. Place all the wooden furniture parts on a clean, flat and soft surface, such as a carpet or rubbermat to prevent scratches.

CAUTION  
KEEP ALL THE PARTS OUT OF CHILDREN'S REACH.

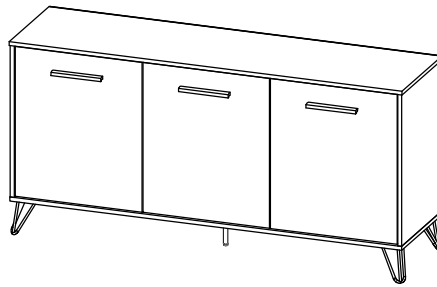
PART LIST		QTY
1	TOP PANEL	1 PC
2	BOTTOM PANEL	1 PC
3	SIDE PANEL (L)	1 PC
4	SIDE PANEL (R)	1 PC
5	CENTER PANEL (L)	1 PC
6	CENTER PANEL (R)	1 PC
7	SHELF PANEL (R)	1 PC
8	SHELF PANEL (L) & (CENTER)	2 PCS
9	DOOR PANEL (L)	1 PC
10	DOOR PANEL (R)	2 PCS
11	BACK PANEL	1 PC

HARDWARE			
A	MINI FIX	A1  A2  A3	8 PCS
B	M8 X 30MM WOOD DOWEL		16 PCS
C	M6 X 50MM CSK CAP WOOD SCREW		8 PCS
D	M3.5 X 16MM C.B SCREW		56 PCS
E	METAL SHELF SUPPORT		12 PCS
F	ALLEN KEY M4		1 PC
G	5/8 NAIL		30 PCS
H	SOFT CLOSING 7/8 HINGES		6 PCS
I	WOOD HANDLE		3 PCS
J	M4 X 32MM C.B SCREW		9 PCS
K	METAL LEG 90 x 90 x 8 x H145MM		4 PCS
L	METAL LEG 50 x 50 x H140MM (CENTER)		1 PC

SELF-PREPARED TOOLS: Tools below are NOT included in package.	
SCREWDRIVER	HAMMER



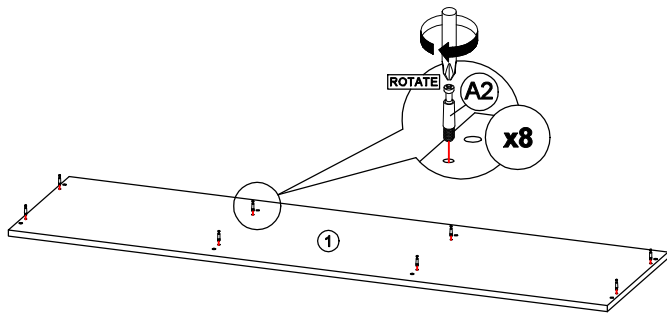
**CODING**  
- 344029



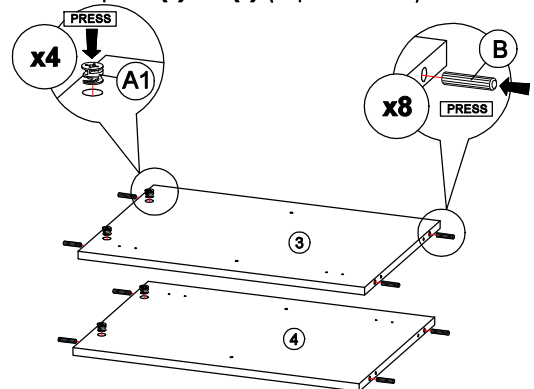
ISO 9001:2015  
Reg. No. 000435-1-MY-1-QM

nuhoom.com

**STEP 1**  
Insert hardware **A2** onto panel **(1)**.  
(Repeat 8 times.)

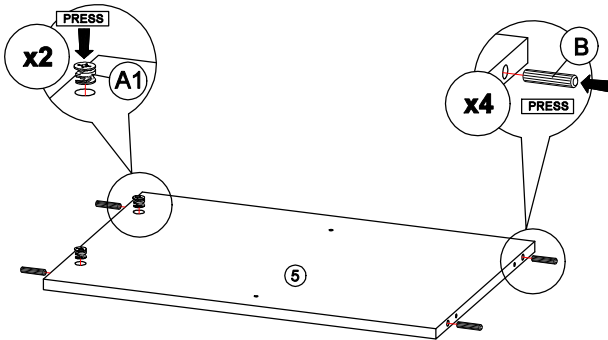


**STEP 2**  
- Insert hardware **A1** onto panel **(3)** and **(4)**. (Repeat 4 times.)  
- Insert hardware **B** onto panel **(3)** and **(4)**. (Repeat 8 times.)

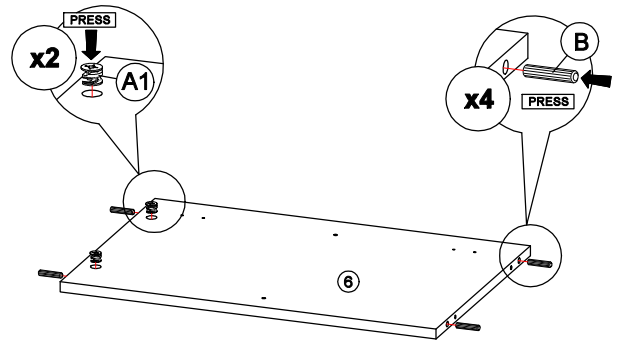


\* Ensure the arrows on hardware **A1** point towards mounting positions.

**STEP 3**  
- Insert hardware **A1** onto panel **(5)**. (Repeat 2 times.)  
- Insert hardware **B** onto panel **(5)**. (Repeat 4 times.)



**STEP 4**  
- Insert hardware **A1** onto panel **(6)**. (Repeat 2 times.)  
- Insert hardware **B** onto panel **(6)**. (Repeat 4 times.)

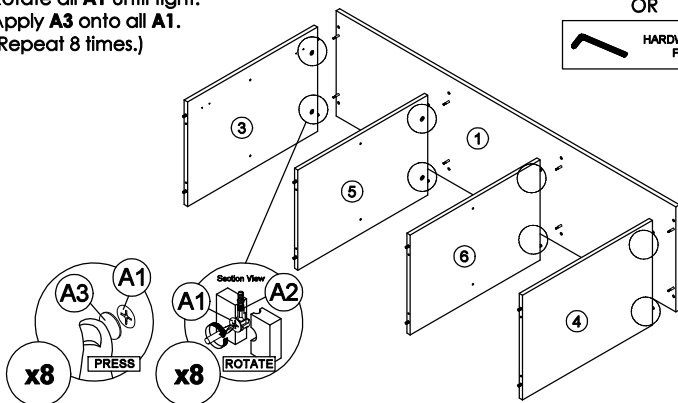


\* Ensure the arrows on hardware **A1** point towards mounting positions.

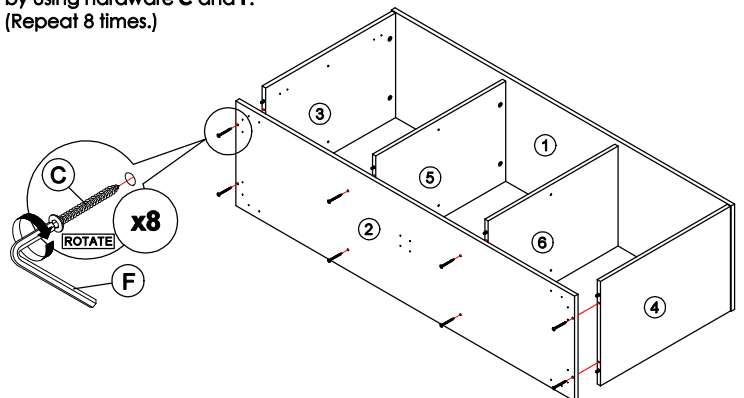
**STEP 5**  
- Connect **A2** from panel **(1)** into **A1** in panel **(3)**, **(4)**, **(5)** and **(6)**.  
- Rotate all **A1** until tight.  
- Apply **A3** onto all **A1**.  
(Repeat 8 times.)



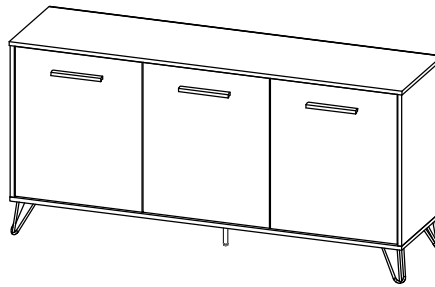
OR



**STEP 6**  
Connect panel **(2)** to panel **(3)**, **(4)**, **(5)** and **(6)**  
by using hardware **C** and **F**.  
(Repeat 8 times.)



**CODING**  
- 344029



ISO 9001:2015  
Reg. No. 000435-1-MY-1-QMS

nuhoom.com

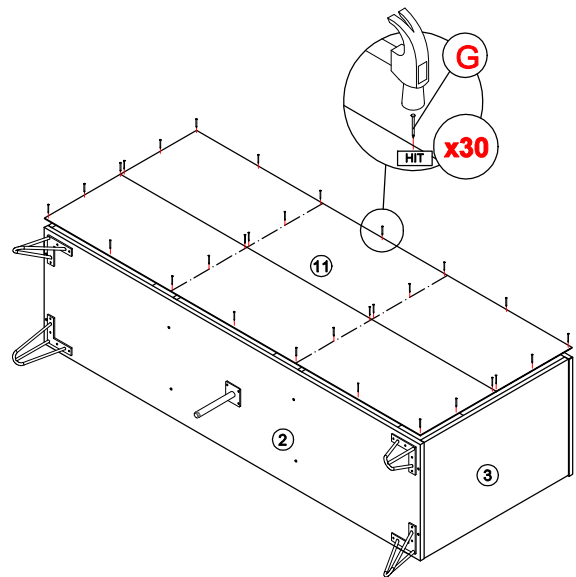
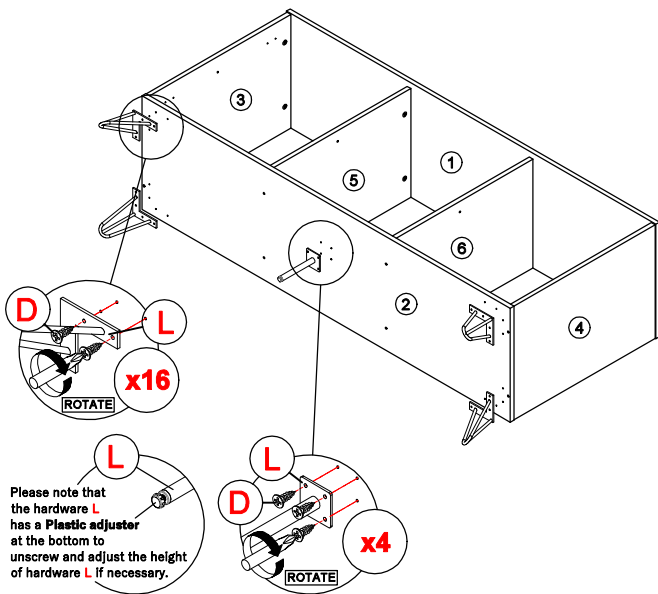
**STEP 7**

Assemble hardware **K** and **L** onto panel **(2)** by using hardware **D**.  
(Repeat 20 times.)



**STEP 8**

Hit hardware **G** into back of panel **(11)**.  
(Repeat 30 times.)

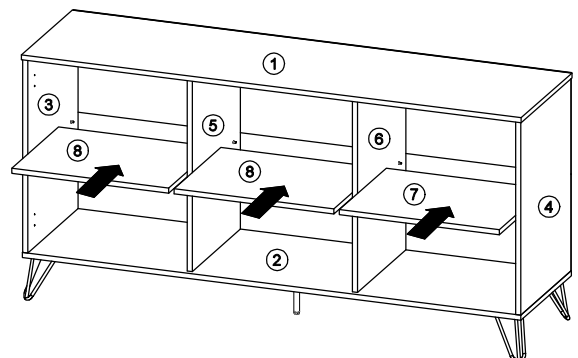
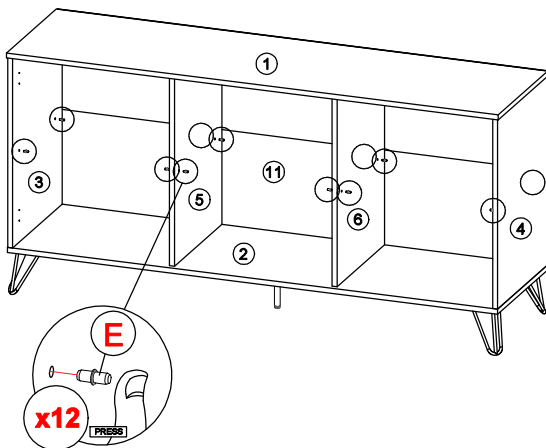


**STEP 9**

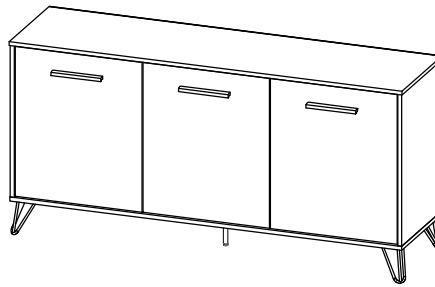
Fix hardware **E** into panel **(3), (4), (5)** and **(6)**.  
(Repeat 12 times.)

**STEP 10**

Assemble the panel **(7)** and **(8)** into between panel **(3), (4), (5)** and **(6)**.  
(Repeat 3 times.)



**CODING**  
- 344029



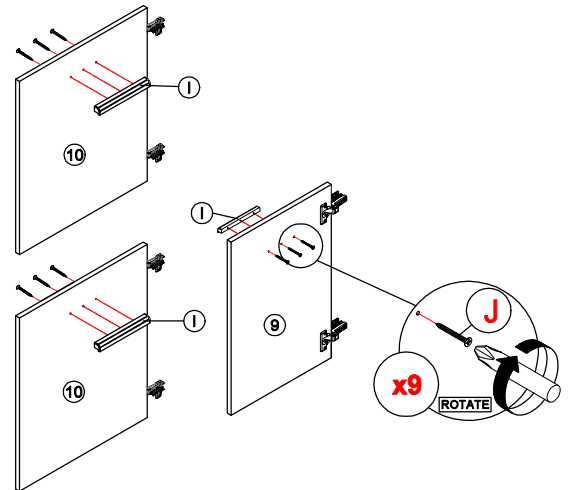
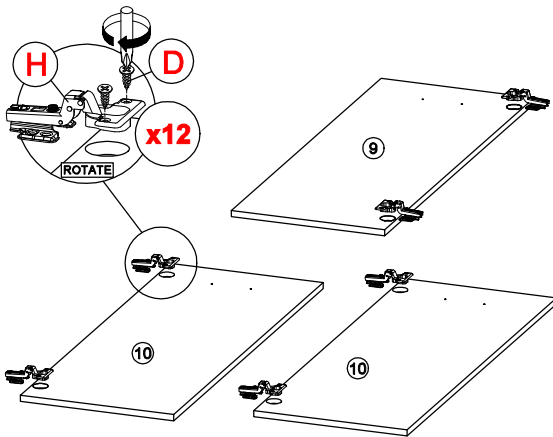
ISO 9001:2015  
Reg. No. 000435-1-MY-1-QMS

nuhoom.com

**STEP 11**  
Fix hardware **H** onto panel **(9)** and **(10)** by using hardware **D**.  
(Repeat 12 times.)



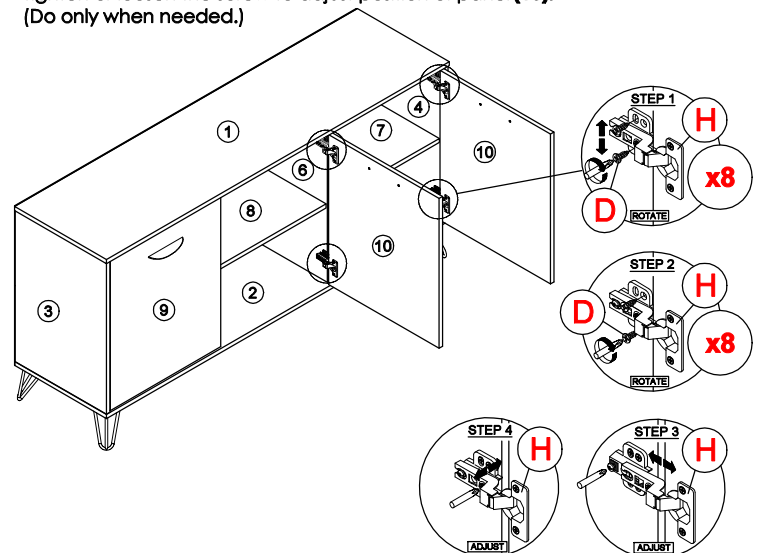
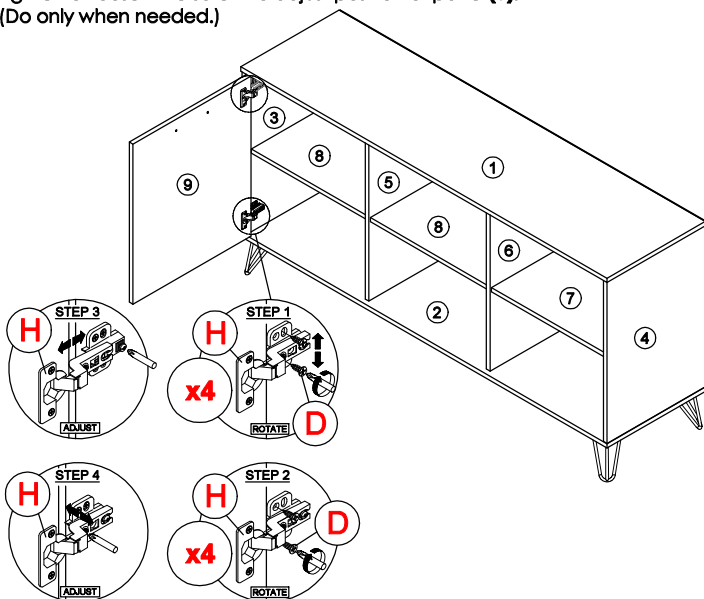
**STEP 12**  
Fix hardware **I** onto panel **(9)** and **(10)** by using hardware **J**.  
(Repeat 9 times.)



**STEP 13**  
- Fix hardware **H** into panel **(3)** by using hardware **D**.  
(Repeat 4 times for each hardware.)  
- Tighten or loosen the screw to adjust position of panel **(9)**.  
(Do only when needed.)



**STEP 14**  
- Fix hardware **H** into panel **(4)** by using hardware **D**.  
(Repeat 4 times for each hardware.)  
- Fix hardware **H** into panel **(6)** by using hardware **D**.  
(Repeat 4 times for each hardware.)  
- Tighten or loosen the screw to adjust position of panel **(10)**.  
(Do only when needed.)



\* In this step hardware **H** have been assembled in panel **(9)**.

\* In this step hardware **H** have been assembled in panel **(10)**.