

**CODING**  
-344009



**ISO 9001:2015**  
Reg.No. 000435-1-MY-1-QMS

**LUOMA.COM**

Read the instruction carefully. Remove all the wrapping material, staples and straps from the carton. Refer to the hardware and furniture part list for guidance. Be sure that you have all the parts before you start assembling. Place all the wooden furniture part on a clean and flat soft surface, such as carpet or rubbermat to prevent from scratches.

**CAUTION**  
KEEP ALL THE PARTS OUT OF REACH OF CHILDREN.

ITEM	PHOTO	HARDWARE NAME	QTY
(A)		Connecting Bolts Ø6,3x45	8
(B)		Connecting House Ø15x12	8
(C)		Dowel Ø8x30	16
(D)		Connecting screw Ø7/38	8
(E)		Shelf support Ø5x20	12
(F)		Screw Ø3,5x14	44
(G)		Hinge FK9	2
(H)		Hinge FK17	4
(J)		Pressure lock 72	3
(K)		Pressure lock 120/80	3

ITEM	PHOTO	HARDWARE NAME	QTY
(L)		Screw Ø3x10	3
(M)		Washer Ø3/Ø16	3
(N)		Allen key 4 mm	1
(P)		Bolt M6x30	6
(Q)		Bolt M6x15	14
(R)		Safety string 150	1
(S)		Washer Ø6/Ø16	3
(T)		Adjustable foot M6/Ø20x10	1
(U)		Panel holder 9x9x14	8
(V)		Screw Ø3,5x16	8

**CODING**  
-344009



**ISO 9001:2015**  
Reg.No. 000435-1-MY-1-QMS

**LUOMA.COM**

**CAUTION**  
KEEP ALL THE PARTS OUT OF REACH OF CHILDREN.

ITEM	PHOTO	PARTS NAME	QTY
①		Top plate	1
②		Bottom plate	1
③		Left side	1
④		Right side	1
⑤		Middle plate left	1
⑥		Middle plate right	1
⑦		Back plate	2
⑧		Back plate	1

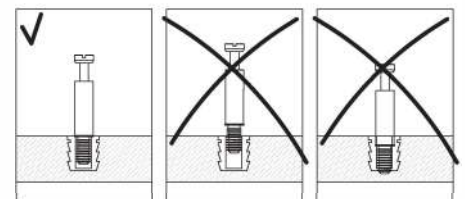
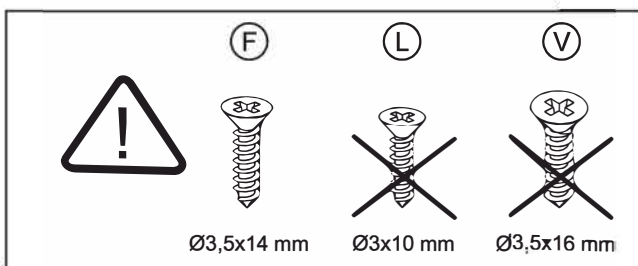
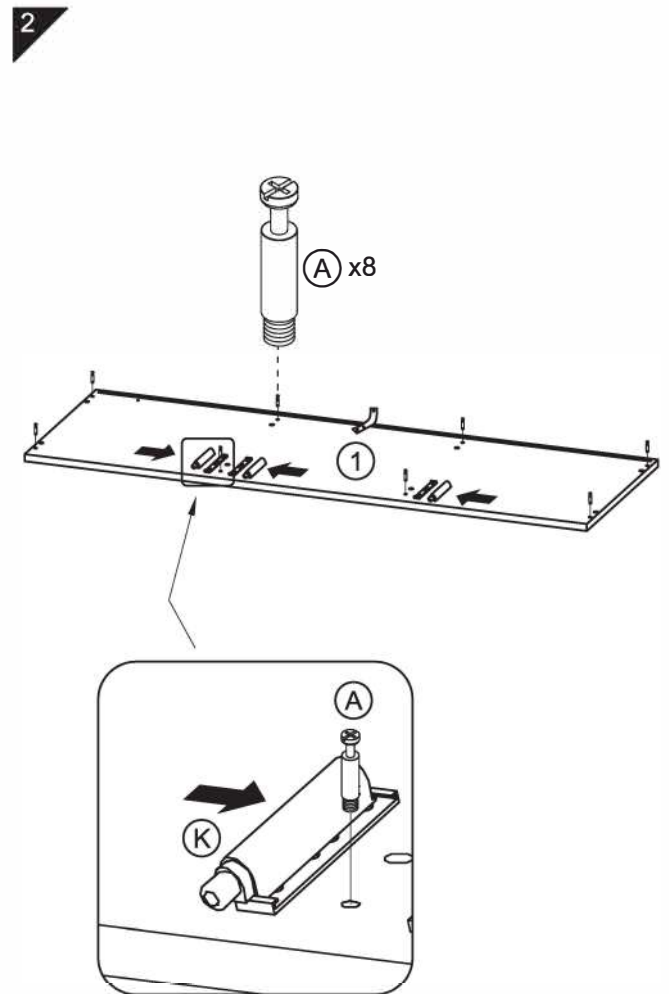
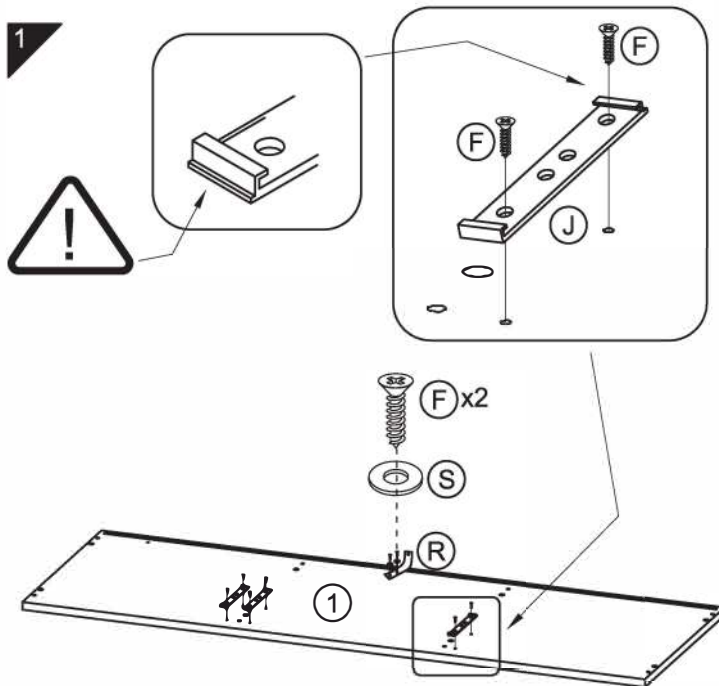
ITEM	PHOTO	PARTS NAME	QTY
⑨		Shelf	3
⑩		Left door	1
⑪		Middle door	1
⑫		Right door	1
⑬		Leg (H=220mm)	2
⑭		Leg support (L=353mm)	2
⑮		Leg support middle (L=353mm)	1
⑯		Middle leg (H=185mm)	1

**CODING**  
-344009



**ISO 9001:2015**  
Reg.No. 000435-1-MY-1-QMS

**LUOMA.COM**



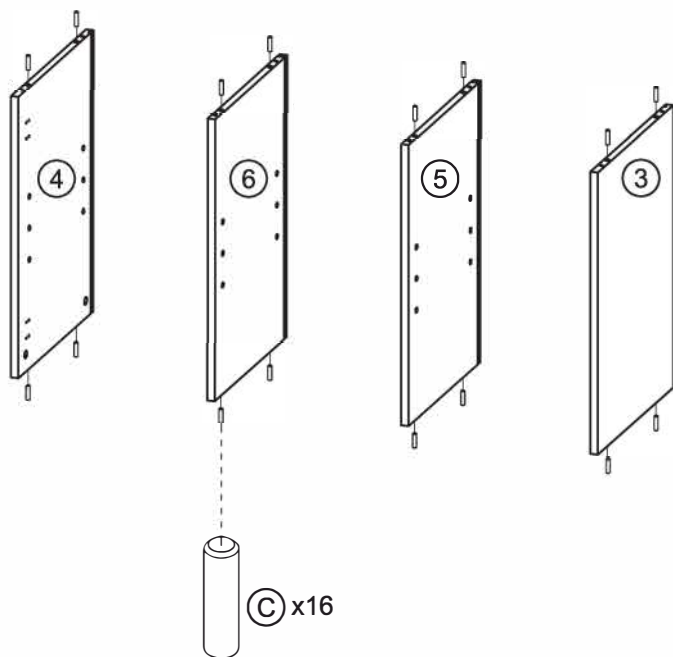
**CODING**  
-344009



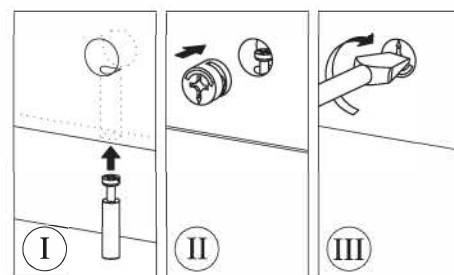
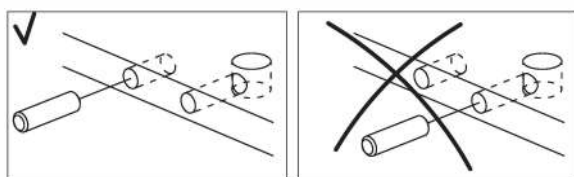
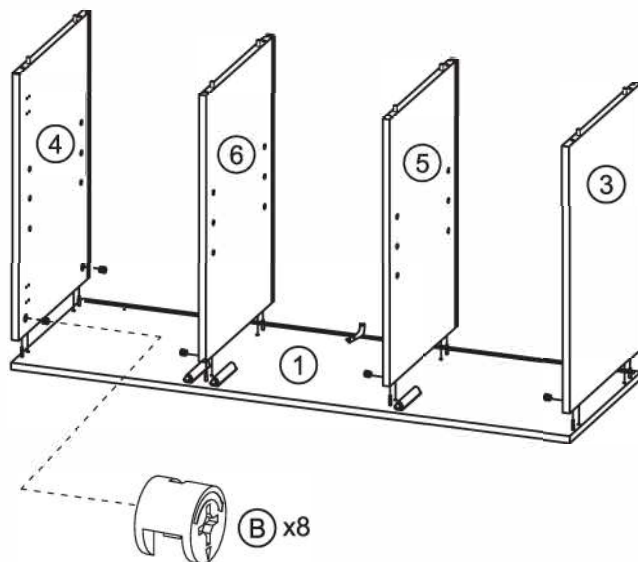
**ISO 9001:2015**  
Reg.No. 000435-1-MY-1-QMS

**LUOMA.COM**

3



4



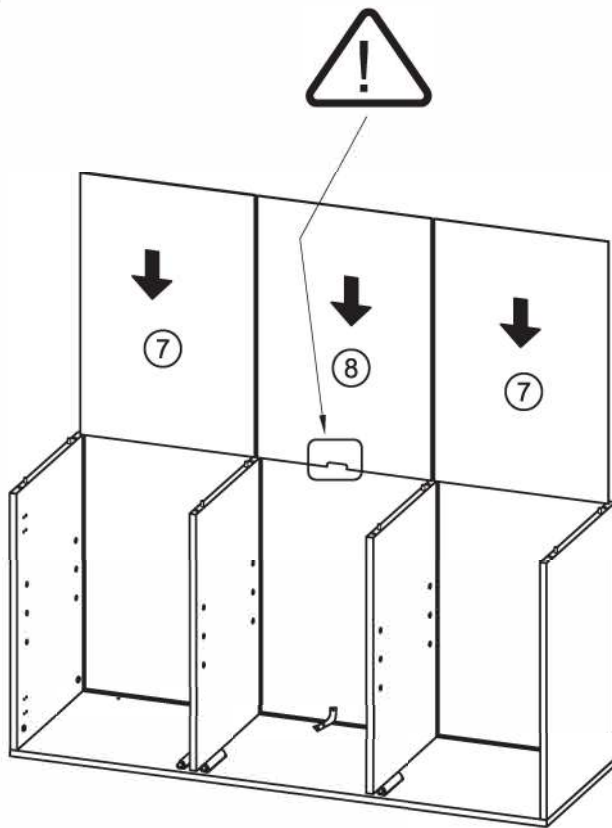
**CODING**  
-344009



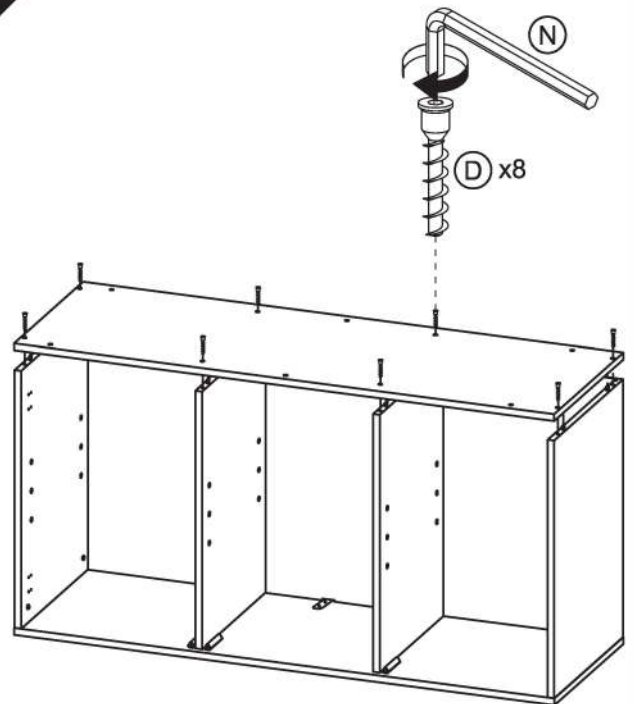
**ISO 9001:2015**  
Reg.No. 000435-1-MY-1-QMS

**LUOMA.COM**

5



6

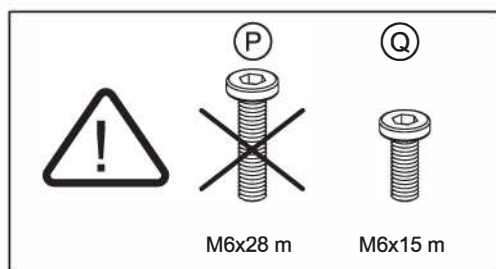
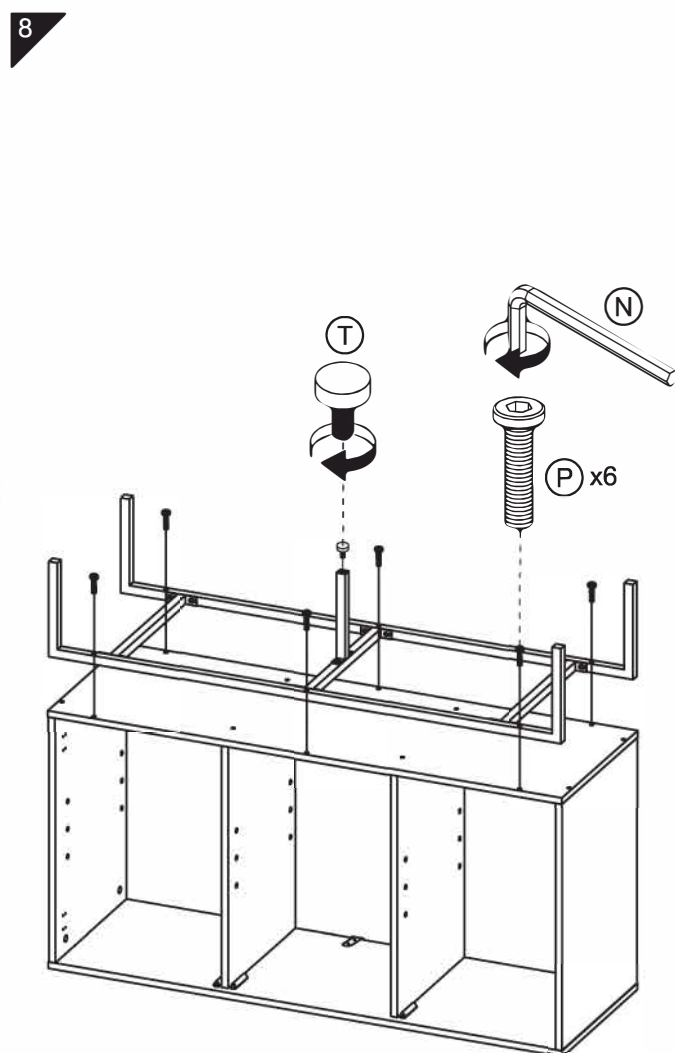
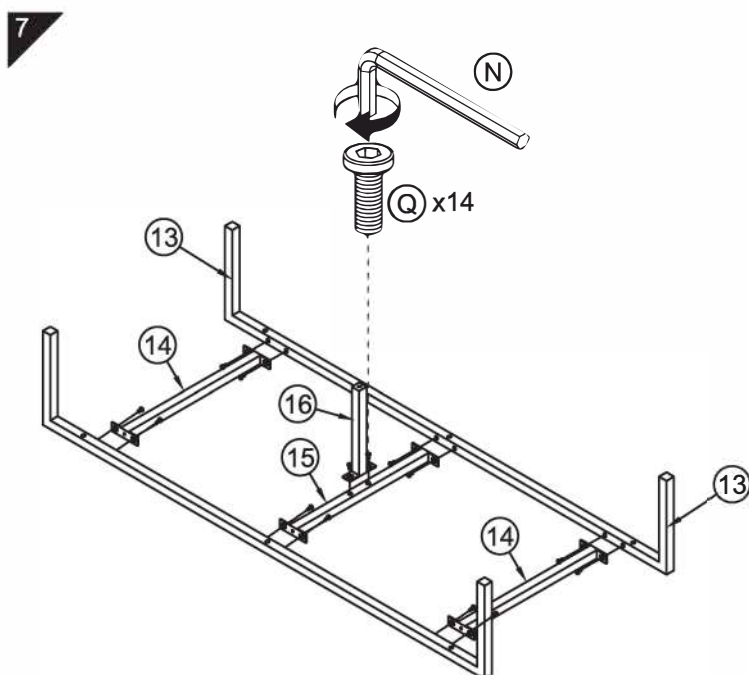


CODING  
-344009



ISO 9001:2015  
Reg.No. 000435-1-MY-1-QMS

LUOMA.COM



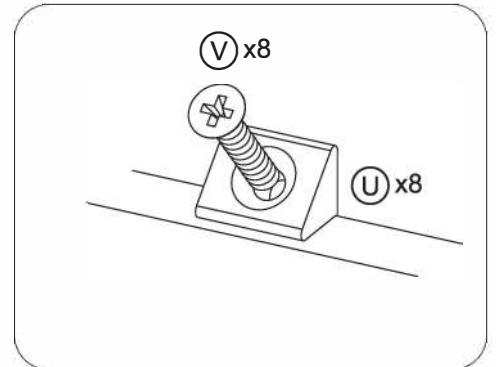
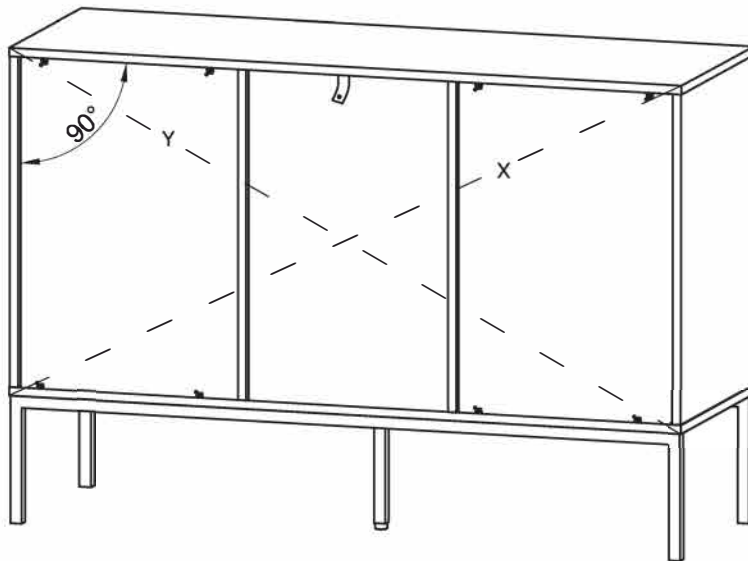
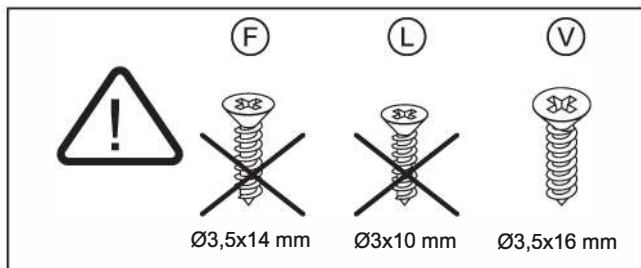
**CODING**  
-344009



**ISO 9001:2015**  
Reg.No. 000435-1-MY-1-QMS

**LUOMA.COM**

9



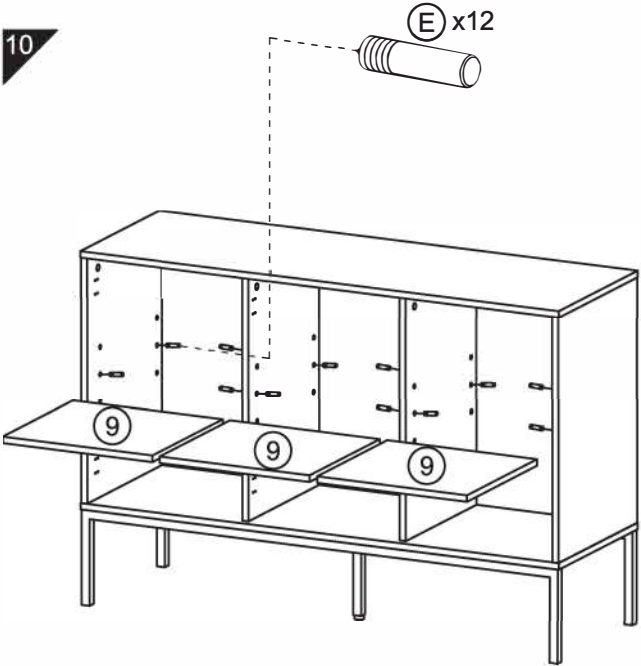
**CODING**  
-344009



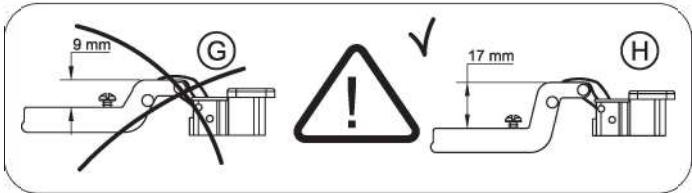
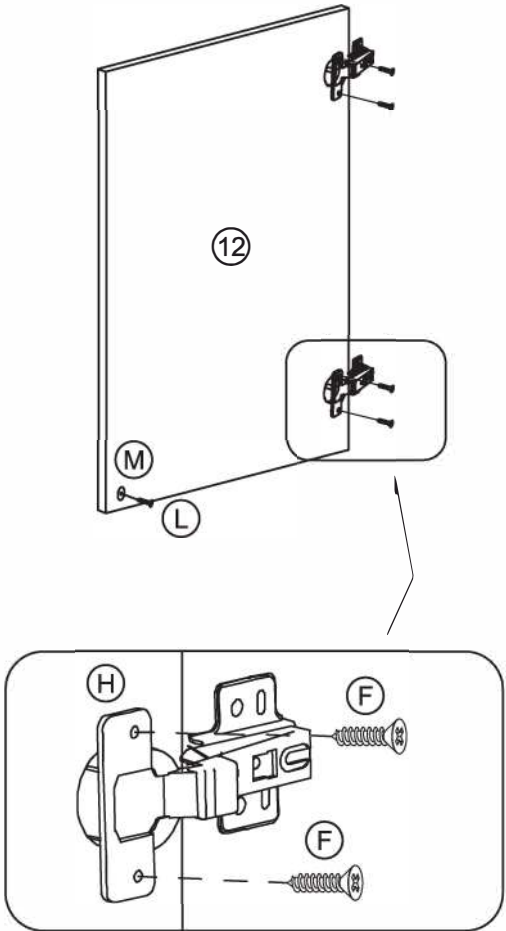
**ISO 9001:2015**  
Reg.No. 000435-1-MY-1-QMS

**LUOMA.COM**

**10**



**11**





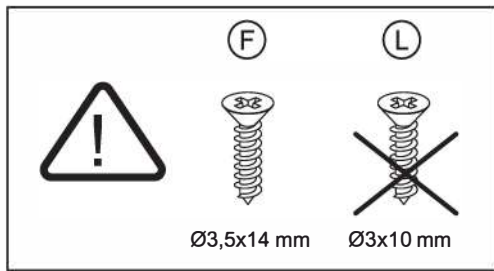
**CODING**  
-344009



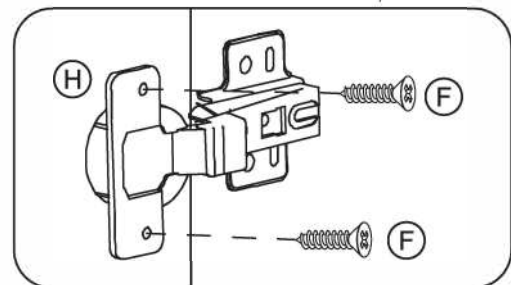
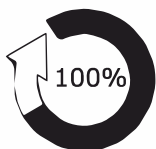
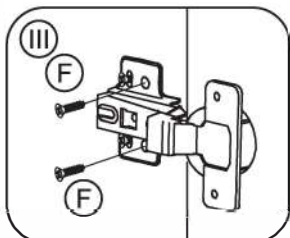
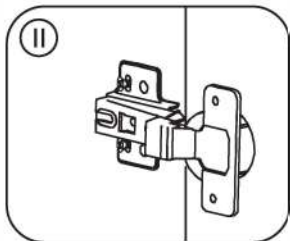
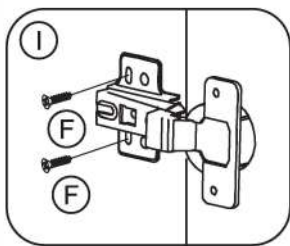
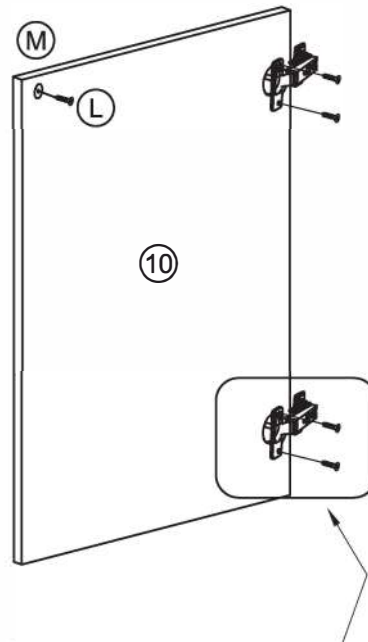
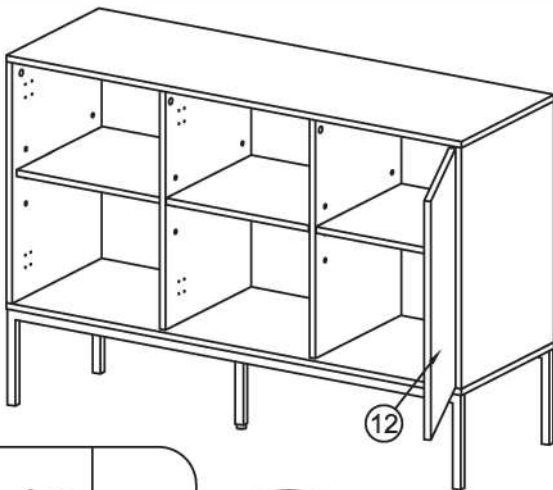
**ISO 9001:2015**  
Reg.No. 000435-1-MY-1-QMS

**LUOMA.COM**

12



13



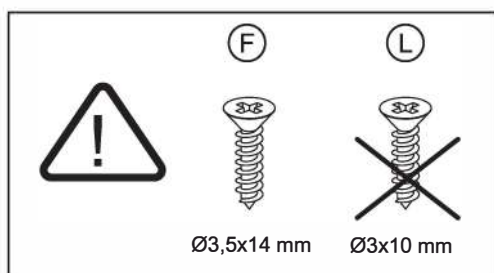
**CODING**  
-344009



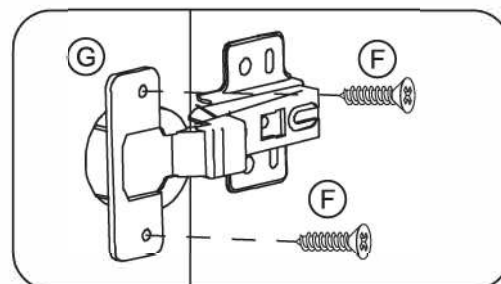
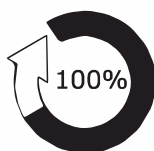
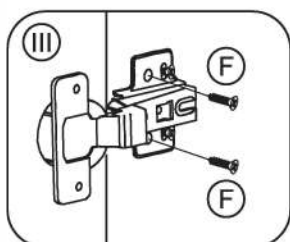
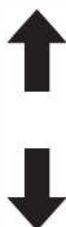
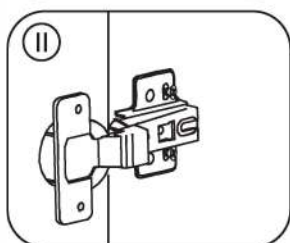
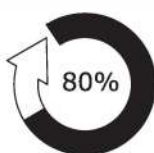
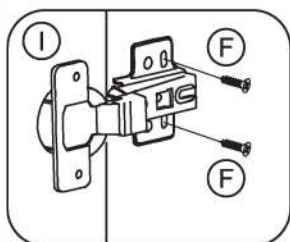
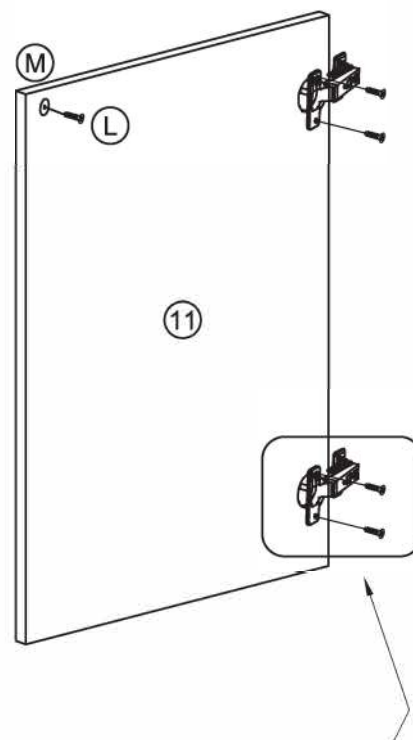
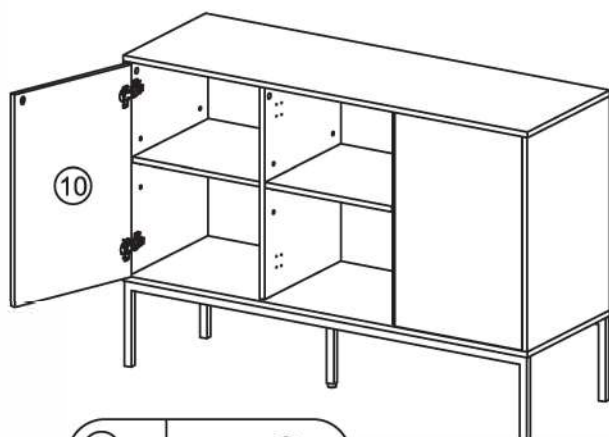
ISO 9001:2015  
Reg.No. 000435-1-MY-1-QMS

LUOMA.COM

14



15



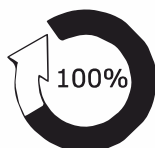
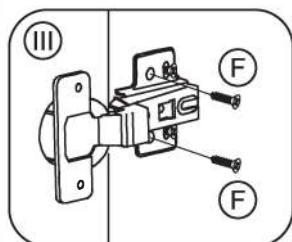
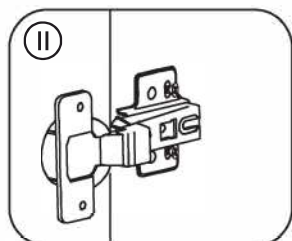
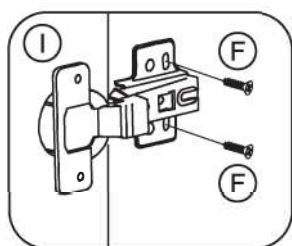
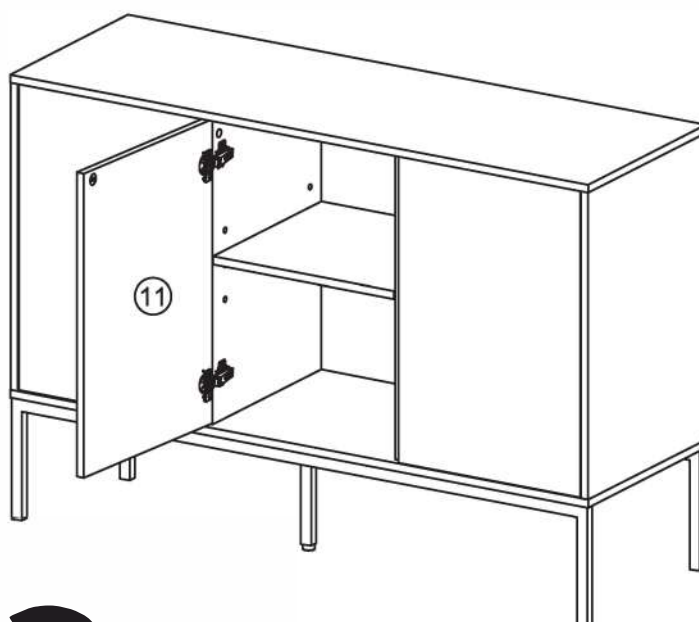
**CODING**  
-344009



ISO 9001:2015  
Reg.No. 000435-1-MY-1-QMS

**LUOMA.COM**

16



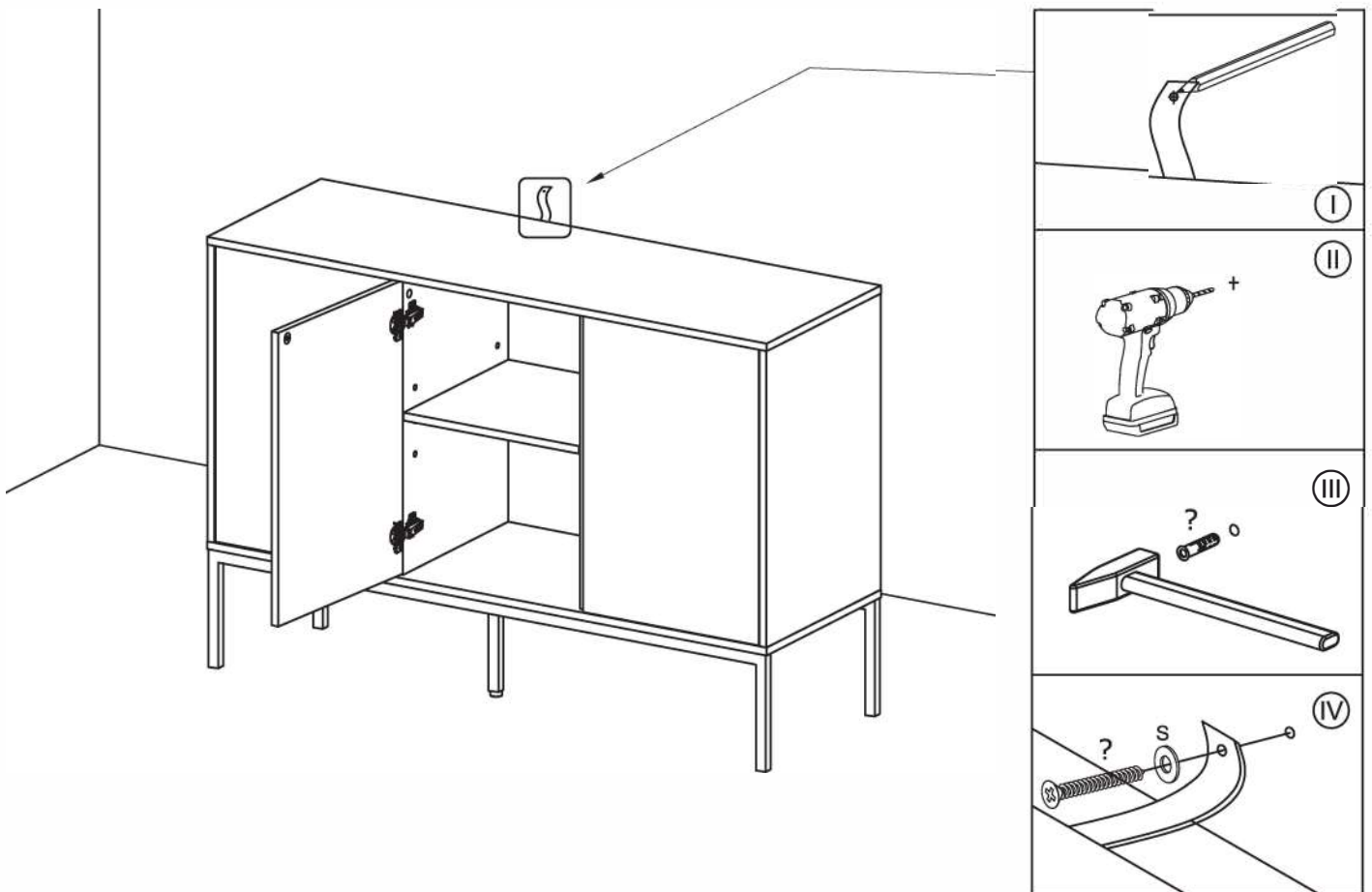
CODING  
-344009



ISO 9001:2015  
Reg.No. 000435-1-MY-1-QMS

LUOMA.COM

17



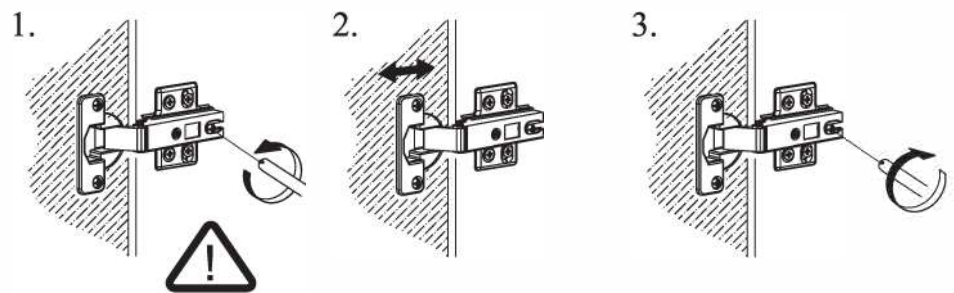
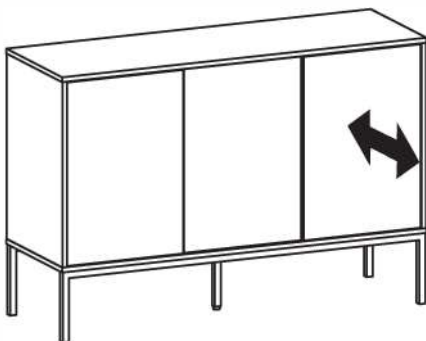
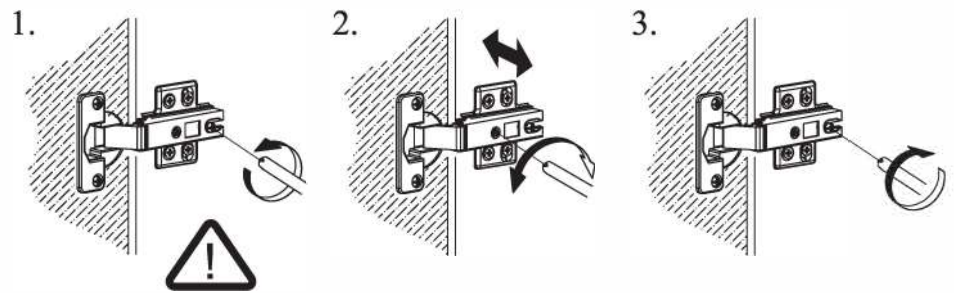
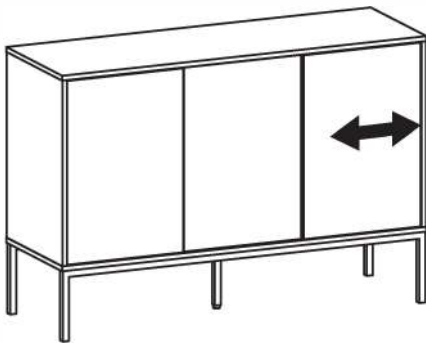
**CODING**  
-344009



**ISO 9001:2015**  
Reg.No. 000435-1-MY-1-QMS

**LUOMA.COM**

18



**CODING**  
-344009



**ISO 9001:2015**  
Reg.No. 000435-1-MY-1-QMS

**LUOMA.COM**

19

