

CODING  
-343019



ISO 9001:2015  
Reg. No. 000435-1-MY-1-QMS

fyndfurniture.com

Read the instructions carefully. Remove all the wrappings, staples and straps from the carton. Refer to the hardware and furniture part list for guidance. Make sure that you have all the parts before you start assembling. Place all the wooden furniture parts on a clean, flat and soft surface, such as a carpet or rubbermat to prevent scratches.

**CAUTION**

KEEP ALL THE PARTS OUT OF CHILDREN'S REACH

| ITEM | PHOTO | HARDWARE NAME       | QTY |
|------|-------|---------------------|-----|
| (A)  |       | Bolts M6x20         | 12  |
| (B)  |       | Washers M6 x 19     | 12  |
| (C)  |       | Lock washer M6 x 11 | 12  |
| (D)  |       | Allen key K4        | 1   |

| ITEM | PHOTO | PARTS NAME | QTY |
|------|-------|------------|-----|
| (1)  |       | Main Body  | 1   |
| (2)  |       | Leg        | 2   |

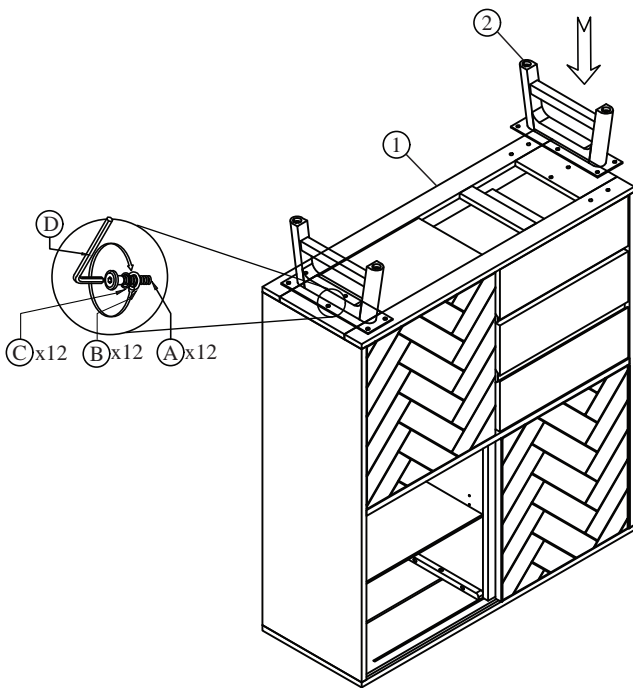
CODING  
-343019



ISO 9001:2015  
Reg. No. 000435-1-MY-1-QMS

fyndfurniture.com

1



2

