

CODING
- 343017








ISO 9001:2015
Reg. No. 000435-1-MY-1-QMS

fyndfurniture.com

Read the instructions carefully. Remove all the wrappings, staples and straps from the carton. Refer to the hardware and furniture part list for guidance. Make sure that you have all the parts before you start assembling. Place all the wooden furniture parts on a clean, flat and soft surface, such as a carpet or rubbermat to prevent scratches.

CAUTION
KEEP ALL THE PARTS OUT OF CHILDREN'S REACH.

ITEM	HARDWARE LIST	QTY
(A)	Allen key 4mm 	1
(B)	Bolts (M6x20) 	16
(C)	Flat washers (Ø8xØ18) 	16

ITEM	HARDWARE LIST	SPARE QTY
1	Main body 	1
2	Leg 	4

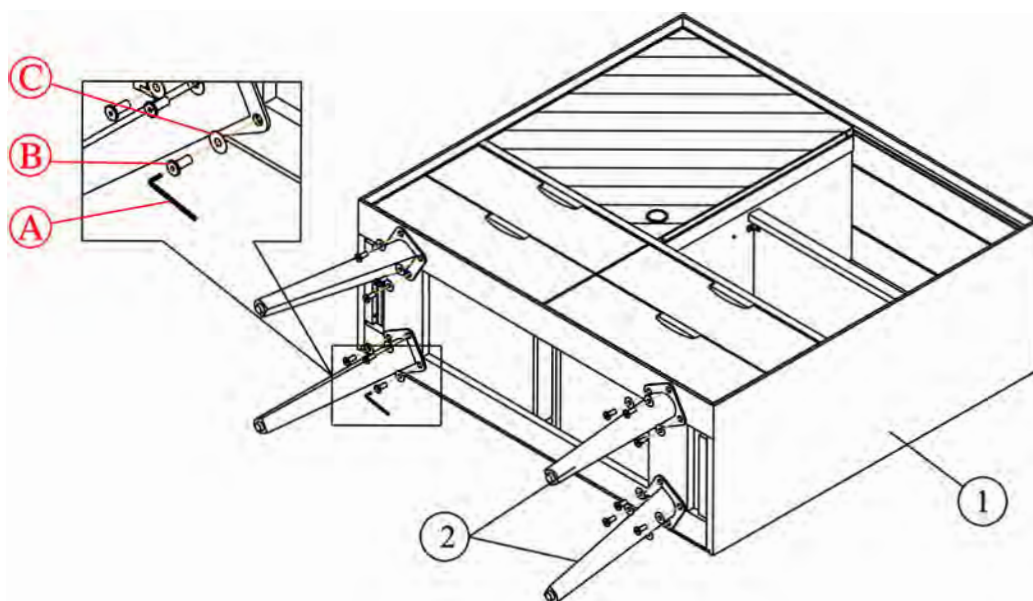
CODING
-343017



ISO 9001:2015
Reg. No. 000435-1-MY-1-QMS

fyndfurniture.com

1



2

