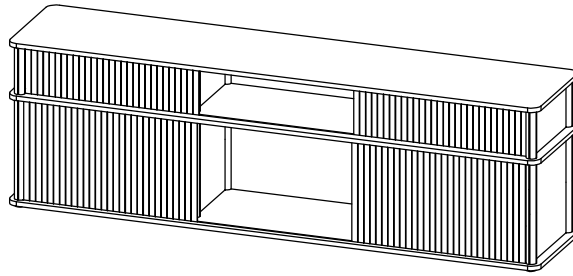


CODING
- 336121

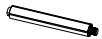
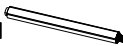



ISO 9001:2015
Reg. No. 00003-1-007-1-QMS

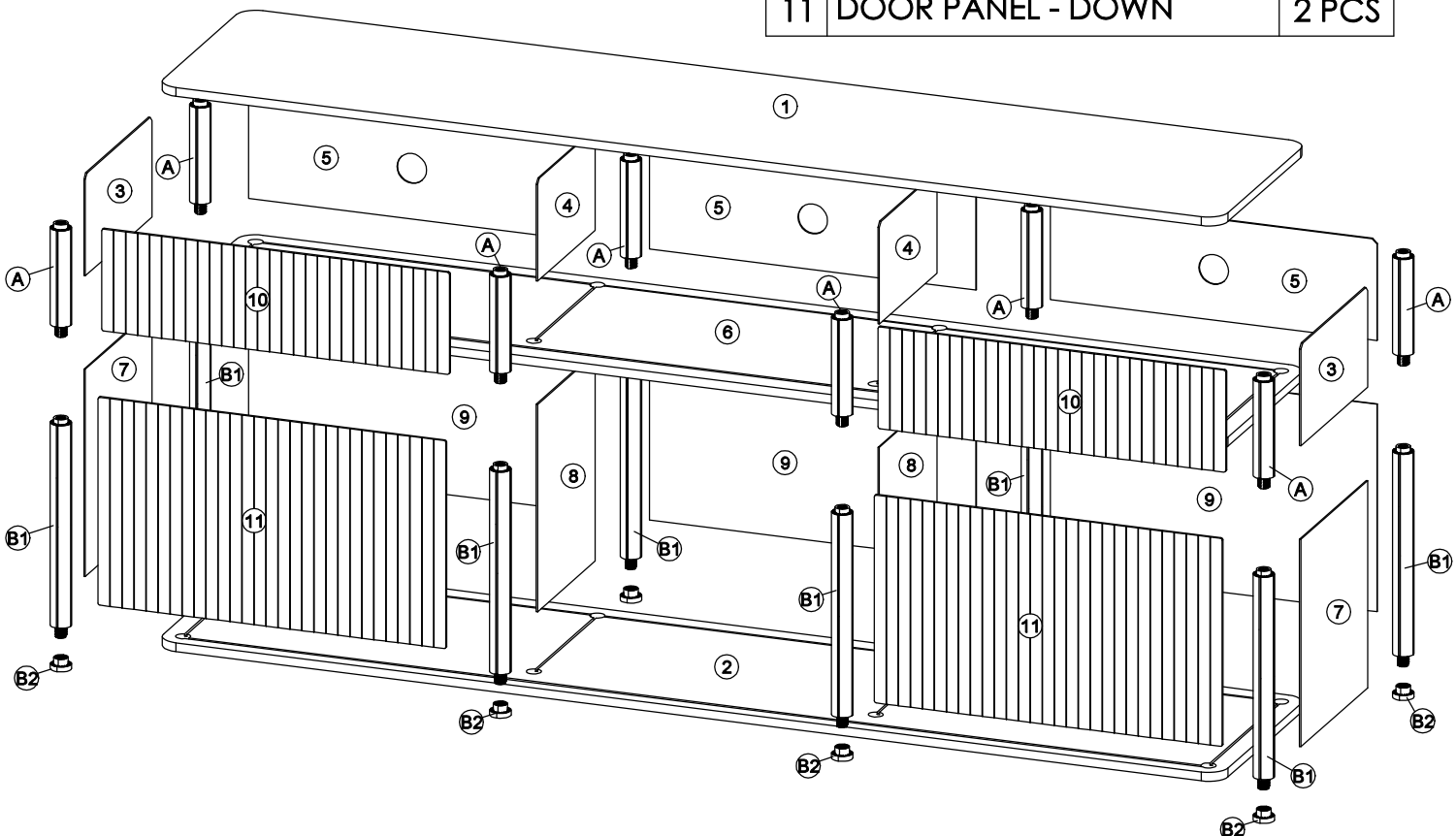
nuhoom.com

Read the instructions carefully. Remove all the wrappings, staples and straps from the carton. Refer to the hardware and furniture part list for guidance. Make sure that you have all the parts before you start assembling. Place all the wooden furniture parts on a clean, flat and soft surface, such as a carpet or rubbermat to prevent scratches.

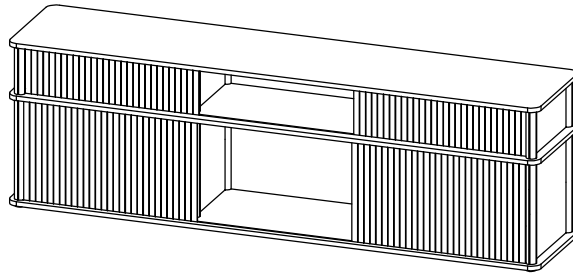
CAUTION
KEEP ALL THE PARTS OUT OF CHILDREN'S REACH.

HARDWARE			
A	SHORT POLE		8 PCS
B	LONG POLE	 B1  B2	8 SETS

PART LIST		QTY
1	TOP PANEL	1 PC
2	BOTTOM PANEL	1 PC
3	SIDE PANEL - UP	2 PCS
4	CENTER PANEL - UP	2 PCS
5	BACK PANEL - UP	3 PCS
6	MIDDLE PANEL	1 PC
7	SIDE PANEL - DOWN	2 PCS
8	CENTER PANEL - DOWN	2 PCS
9	BACK PANEL - DOWN	3 PCS
10	DOOR PANEL - UP	2 PCS
11	DOOR PANEL - DOWN	2 PCS



CODING
- 336121

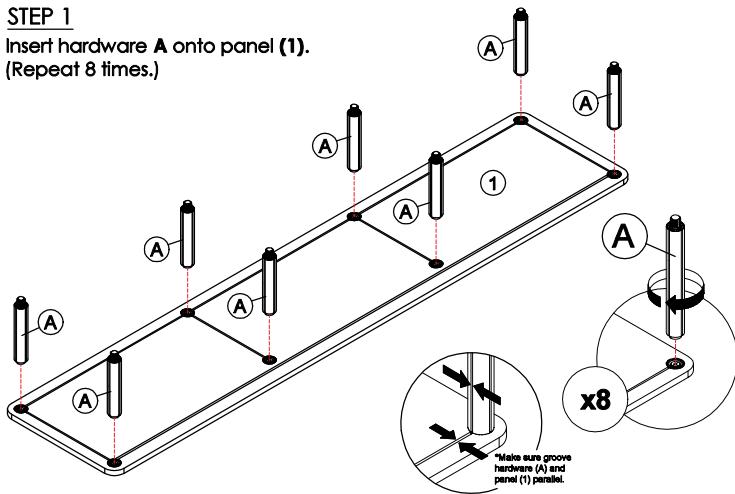


ISO 9001:2015
Reg. No. 00035-1-MY-1-QMS

nuhoom.com

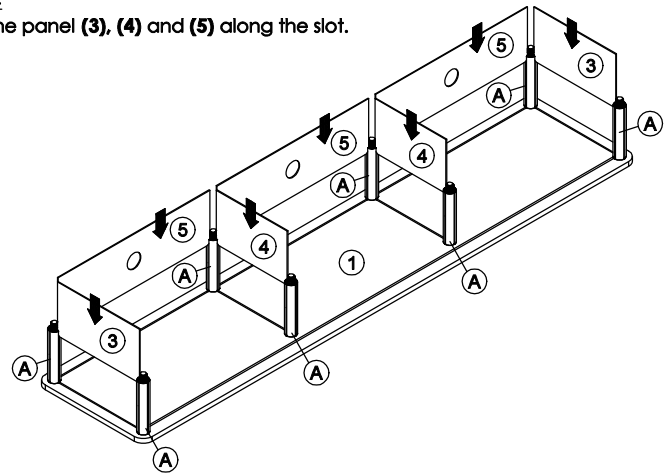
STEP 1

Insert hardware **A** onto panel **(1)**.
(Repeat 8 times.)



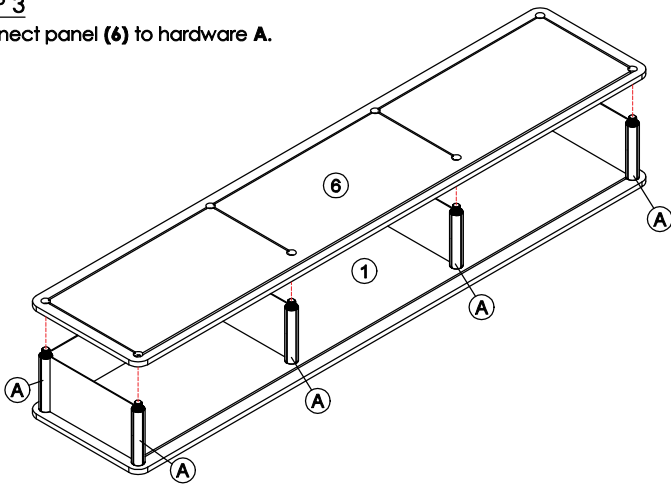
STEP 2

Insert the panel **(3)**, **(4)** and **(5)** along the slot.



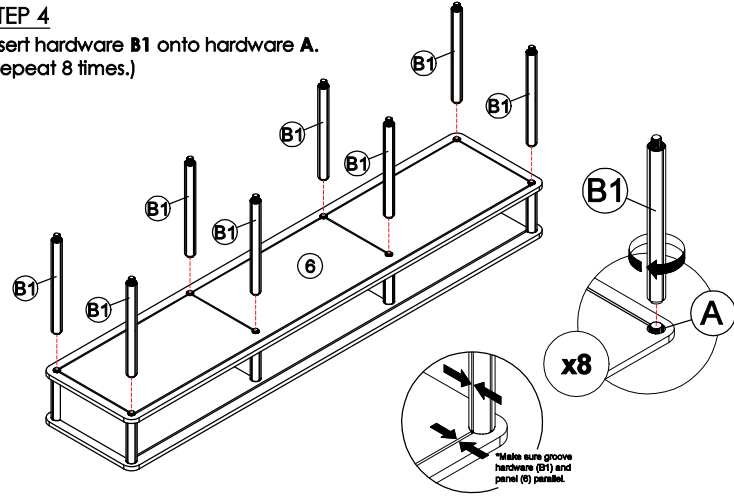
STEP 3

Connect panel **(6)** to hardware **A**.



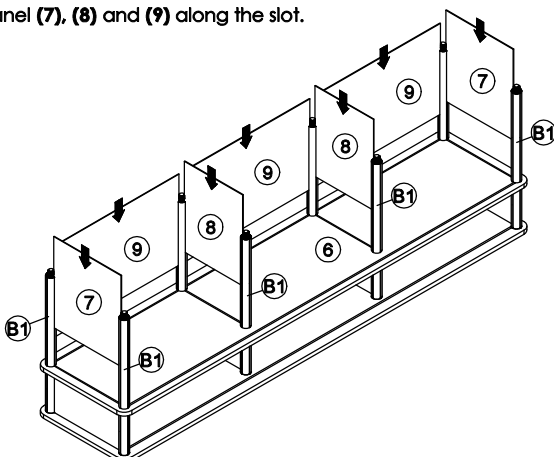
STEP 4

Insert hardware **B1** onto hardware **A**.
(Repeat 8 times.)



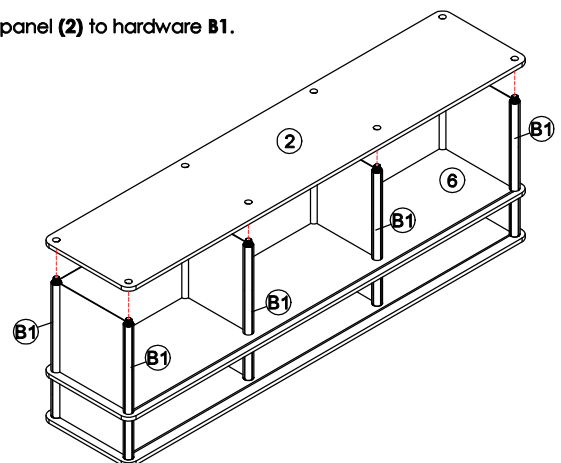
STEP 5

Insert the panel **(7)**, **(8)** and **(9)** along the slot.

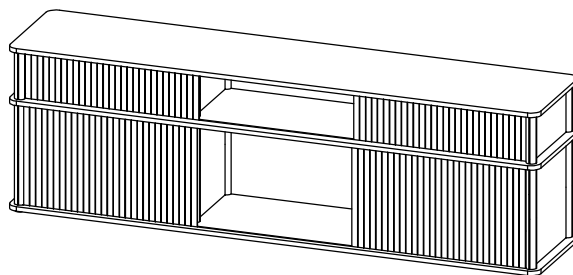


STEP 6

Connect panel **(2)** to hardware **B1**.



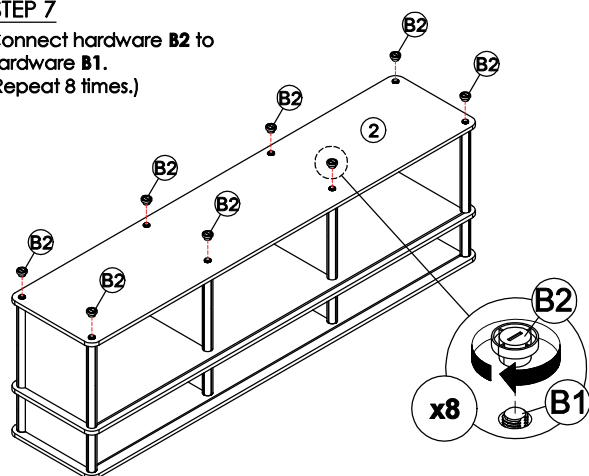
CODING
- 336121



ISO 9001:2015
Reg. No. 00043-1-017-1-QMS

nuhoom.com

STEP 7
Connect hardware **B2** to hardware **B1**.
(Repeat 8 times.)



STEP 8
Insert the panel (**10**) and (**11**) in the top groove first, then enter through the bottom groove.

