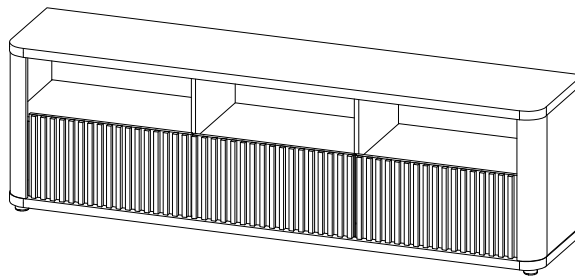


**CODING**  
- 336119



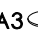

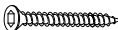




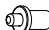

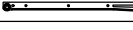



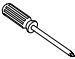

ISO 9001:2015  
Reg. No. 00005-1-MY-1-QMS

**nuhoom.com**

Read the instructions carefully. Remove all the wrappings, staples and straps from the carton. Refer to the hardware and furniture part list for guidance. Make sure that you have all the parts before you start assembling. Place all the wooden furniture parts on a clean, flat and soft surface, such as a carpet or rubbermat to prevent scratches.

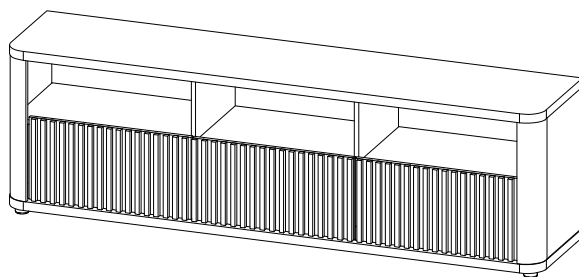
**CAUTION**  
KEEP ALL THE PARTS OUT OF CHILDREN'S REACH.

HARDWARE			
A	MINI FIX	A1  A2  A3 	38 SETS
B	M8 X 30MM WOOD DOWEL		42 PCS
C	M6 X 60MM CSK CAP WOOD SCREW		8 PCS
D	ALLEN KEY M4		1 PC
E	M3.5 X 16MM C.B SCREW		36 PCS
F	M4 X 30MM C.B SCREW		6 PCS
G	M4 X 38MM C.B SCREW		12 PCS
H	SPRING DOOR SUPPORT		8 PCS
I	14" DRAWER SLIDE	 11 (L/R)  12 (L/R)	3 SETS
J	SOFA LEG 25MM		6 PCS

SELF-PREPARED TOOLS: Tools below are NOT included in package.	
 SCREWDRIIVER	 HAMMER

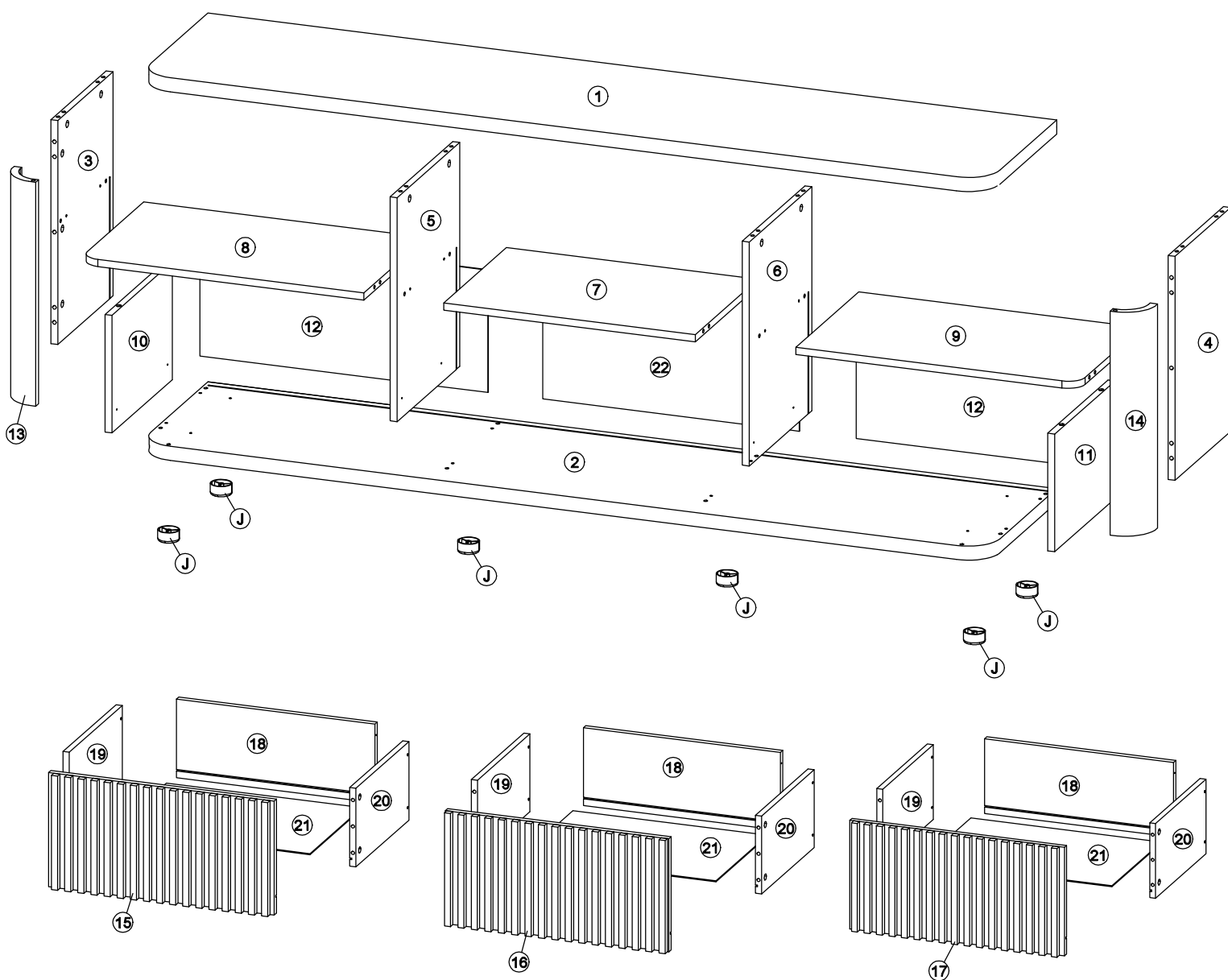
PART LIST		QTY
1	TOP PANEL	1 PC
2	BOTTOM PANEL	1 PC
3	SIDE PANEL (L)	1 PC
4	SIDE PANEL (R)	1 PC
5	CENTER PANEL (L)	1 PC
6	CENTER PANEL (R)	1 PC
7	MIDDLE PANEL	1 PC
8	MIDDLE PANEL (L)	1 PC
9	MIDDLE PANEL (R)	1 PC
10	SIDE SUPPORT (L)	1 PC
11	SIDE SUPPORT (R)	1 PC
12	BACK PANEL (L) & (R)	2 PCS
13	LEG CORNER (L)	1 PC
14	LEG CORNER (R)	1 PC
15	DRAWER FRONT (L)	1 PC
16	DRAWER FRONT (C)	1 PC
17	DRAWER FRONT (R)	1 PC
18	DRAWER BACK	3 PCS
19	DRAWER SIDE (L)	3 PCS
20	DRAWER SIDE (R)	3 PCS
21	DRAWER BOTTOM	3 PCS
22	BACK PANEL (CENTER)	1 PC

**CODING**  
- 336119

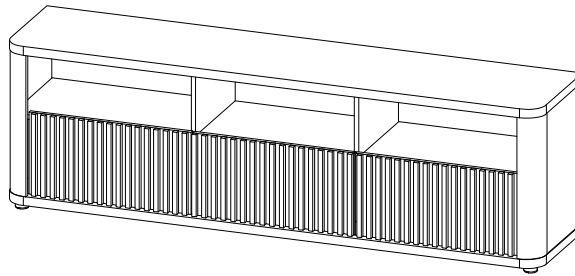


**ISO 9001:2015**  
Reg. No. 00045-1-MY-1-QMS

**nuhoom.com**



**CODING**  
- 336119

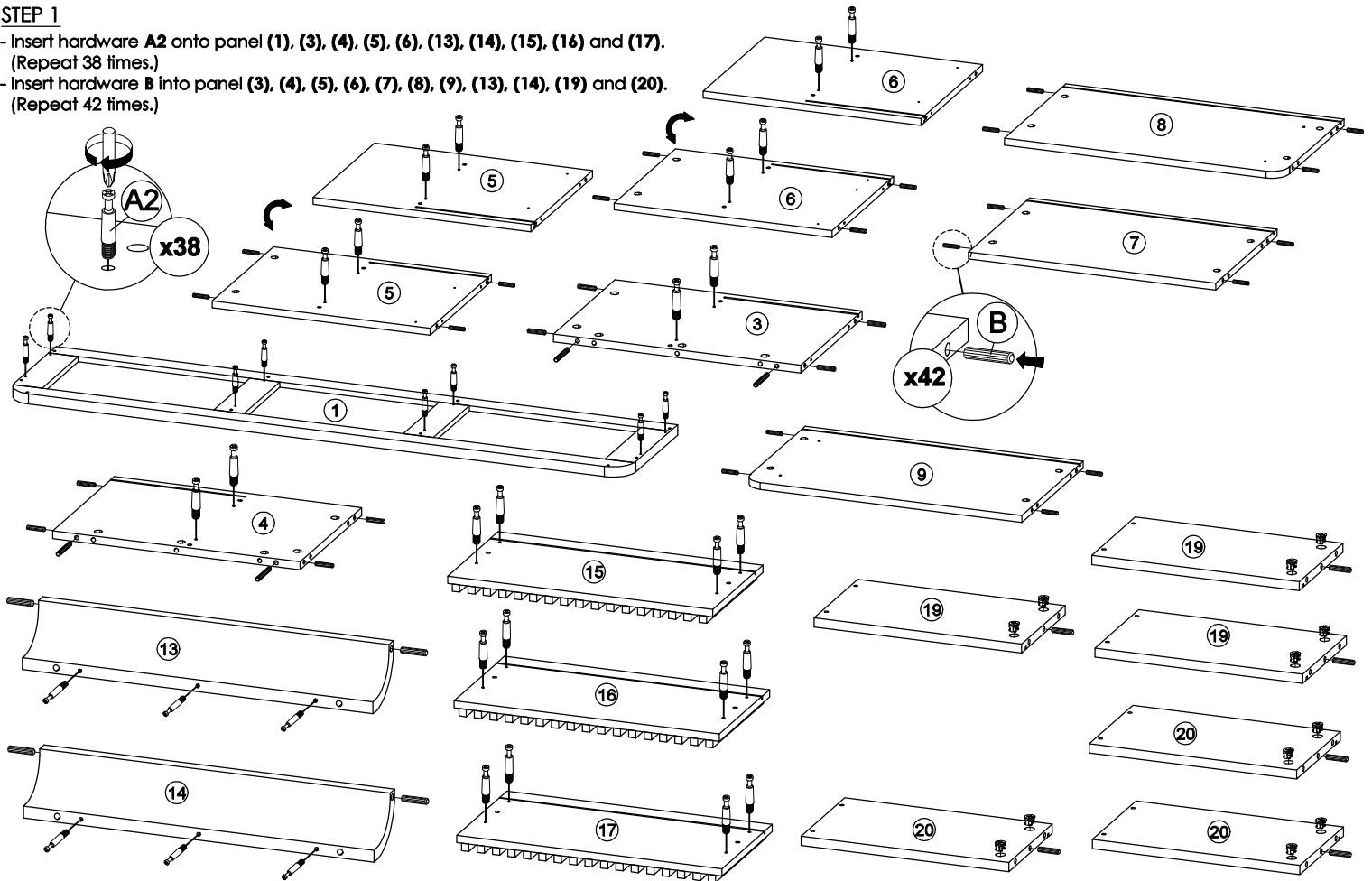


ISO 9001:2015  
Reg. No. 00035-1-MY-1-QMS

**nuhoom.com**

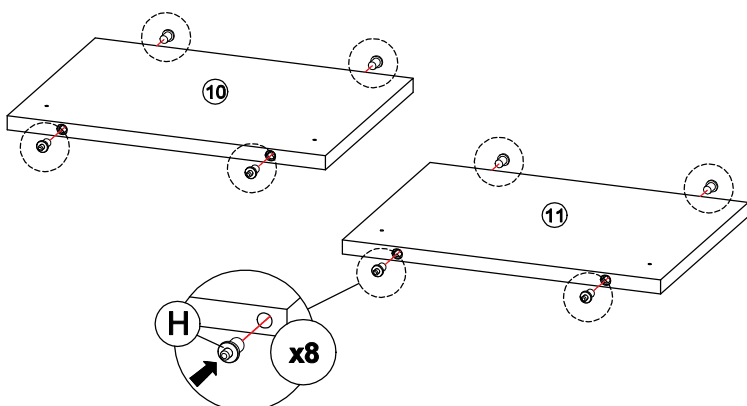
**STEP 1**

- Insert hardware **A2** onto panel (1), (3), (4), (5), (6), (13), (14), (15), (16) and (17).  
(Repeat 38 times.)
- Insert hardware **B** into panel (3), (4), (5), (6), (7), (8), (9), (13), (14), (19) and (20).  
(Repeat 42 times.)



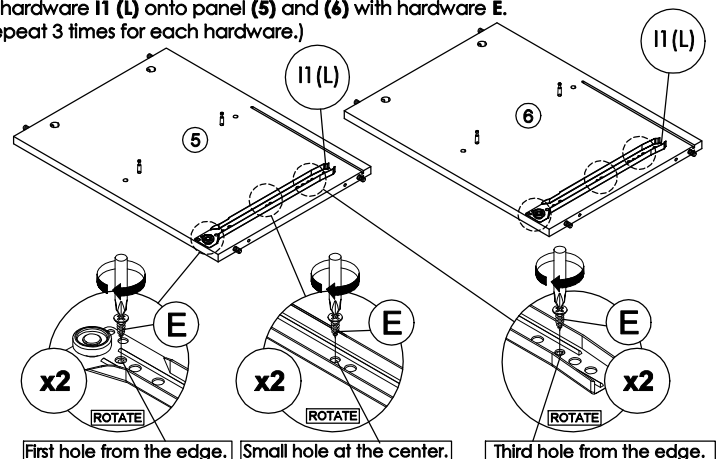
**STEP 2**

- Fix hardware **H** into panel (10) and (11).  
(Repeat 8 times.)



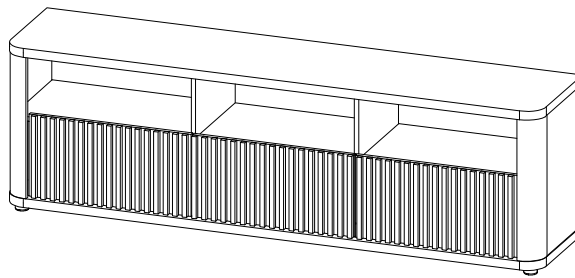
**STEP 3**

- Fix hardware **I1 (L)** onto panel (5) and (6) with hardware **E**.  
(Repeat 3 times for each hardware.)



First hole from the edge. Small hole at the center. Third hole from the edge.

**CODING**  
- 336119

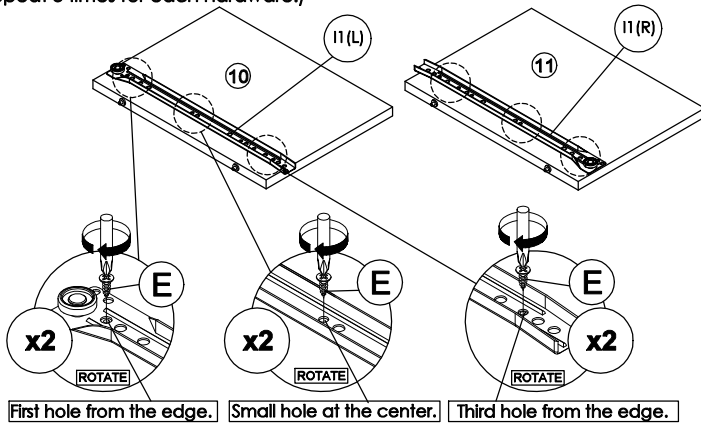


ISO 9001:2015  
Reg. No. 00045-1-KY-1-QMS

**nuhoom.com**

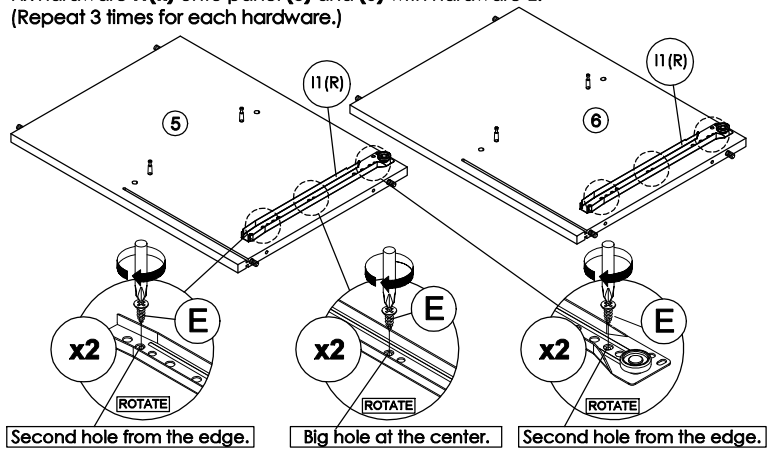
**STEP 4**

Fix hardware **11(L/R)** onto panel **(10)** and **(11)** with hardware **E**.  
(Repeat 3 times for each hardware.)



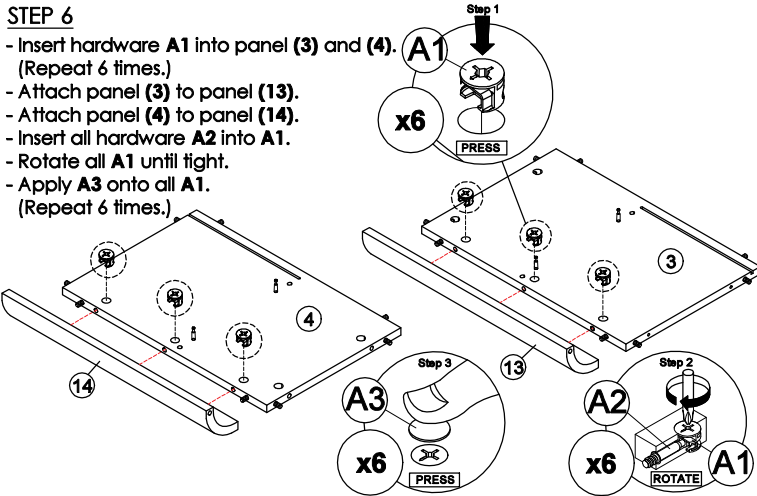
**STEP 5**

Fix hardware **11(R)** onto panel **(5)** and **(6)** with hardware **E**.  
(Repeat 3 times for each hardware.)



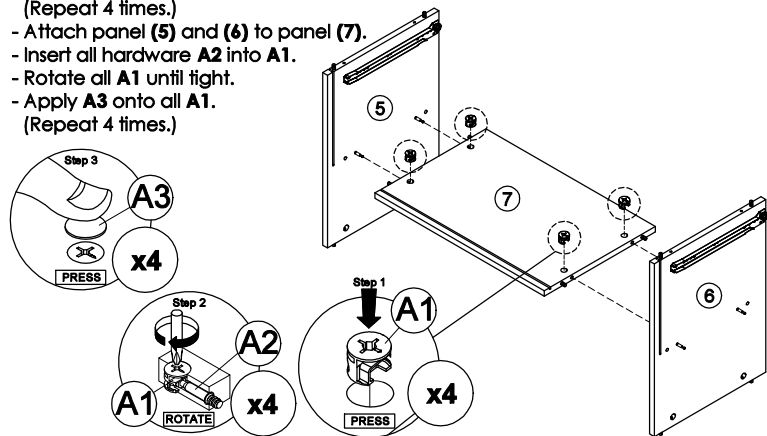
**STEP 6**

- Insert hardware **A1** into panel **(3)** and **(4)**.  
(Repeat 6 times.)
- Attach panel **(3)** to panel **(13)**.
- Attach panel **(4)** to panel **(14)**.
- Insert all hardware **A2** into **A1**.
- Rotate all **A1** until tight.
- Apply **A3** onto all **A1**.  
(Repeat 6 times.)



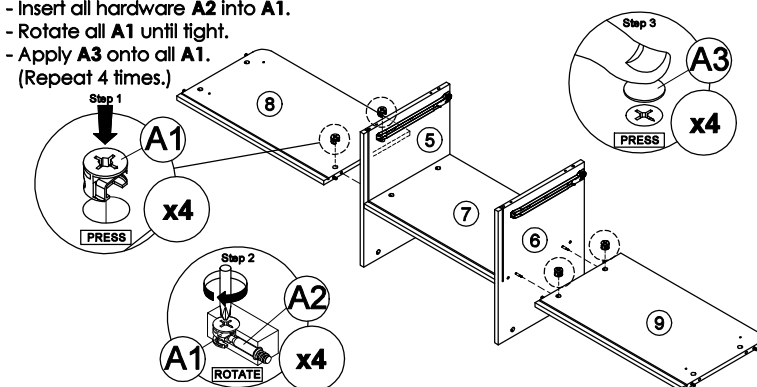
**STEP 7**

- Insert hardware **A1** into panel **(7)**.  
(Repeat 4 times.)
- Attach panel **(5)** and **(6)** to panel **(7)**.
- Insert all hardware **A2** into **A1**.
- Rotate all **A1** until tight.
- Apply **A3** onto all **A1**.  
(Repeat 4 times.)



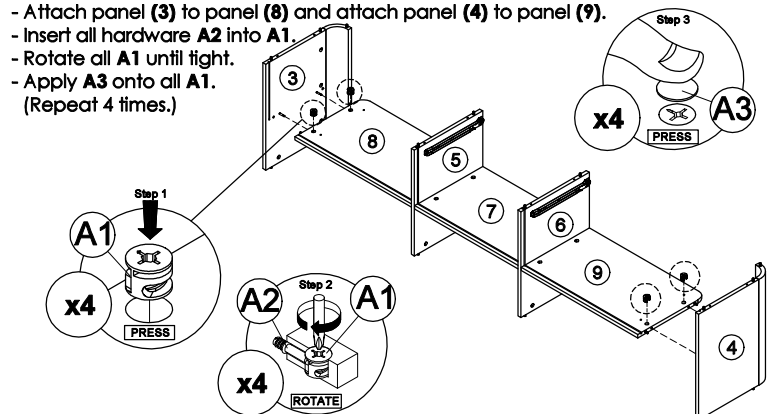
**STEP 8**

- Insert hardware **A1** into panel **(8)** and **(9)**.  
(Repeat 4 times.)
- Attach panel **(8)** to panel **(5)** and attach panel **(9)** to panel **(6)**.
- Insert all hardware **A2** into **A1**.
- Rotate all **A1** until tight.
- Apply **A3** onto all **A1**.  
(Repeat 4 times.)

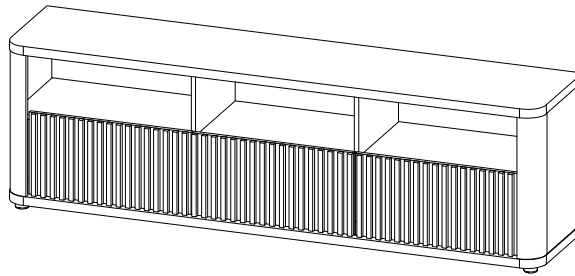


**STEP 9**

- Insert hardware **A1** into panel **(8)** and **(9)**.  
(Repeat 4 times.)
- Attach panel **(3)** to panel **(8)** and attach panel **(4)** to panel **(9)**.
- Insert all hardware **A2** into **A1**.
- Rotate all **A1** until tight.
- Apply **A3** onto all **A1**.  
(Repeat 4 times.)



**CODING**  
- 336119

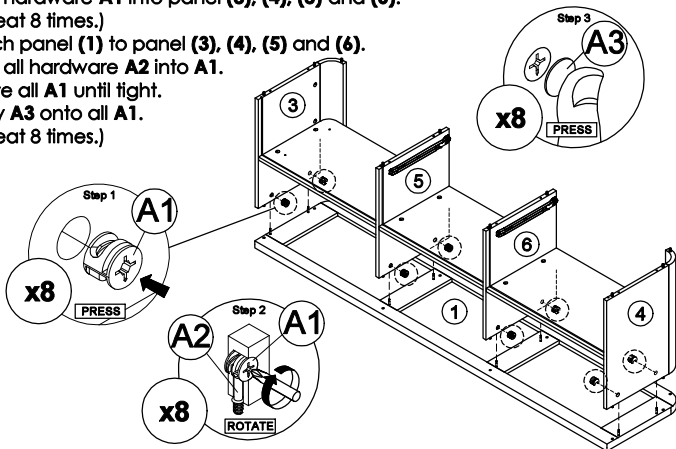


ISO 9001:2015  
Reg. No. 00045-1-KY-1-QMS

**nuhoom.com**

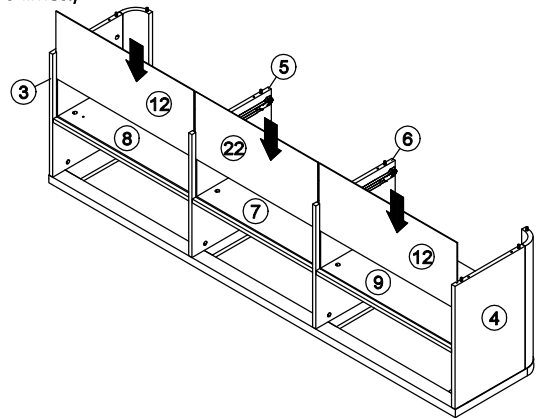
**STEP 10**

- Insert hardware **A1** into panel **(3)**, **(4)**, **(5)** and **(6)**.  
(Repeat 8 times.)
- Attach panel **(1)** to panel **(3)**, **(4)**, **(5)** and **(6)**.
- Insert all hardware **A2** into **A1**.
- Rotate all **A1** until tight.
- Apply **A3** onto all **A1**.  
(Repeat 8 times.)



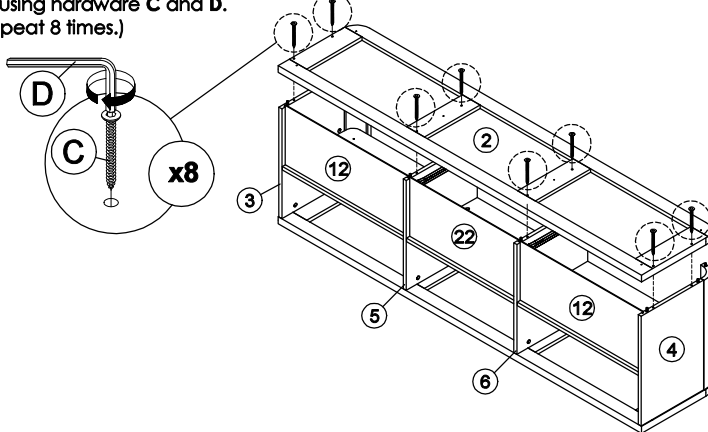
**STEP 11**

- Insert the panel **(12)** and **(22)** along the slot.  
(Repeat 3 times.)



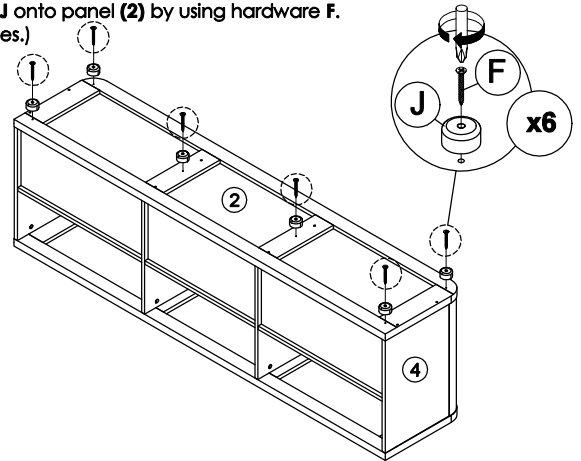
**STEP 12**

- Connect panel **(2)** to panel **(3)**, **(4)**, **(5)** and **(6)** by using hardware **C** and **D**.  
(Repeat 8 times.)



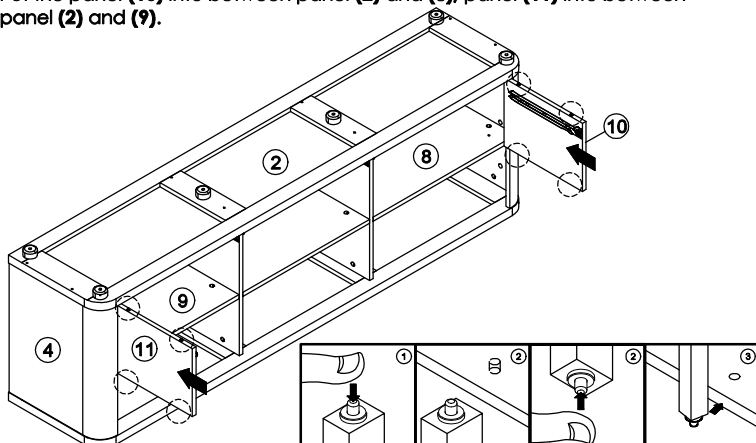
**STEP 13**

- Fix hardware **J** onto panel **(2)** by using hardware **F**.  
(Repeat 6 times.)



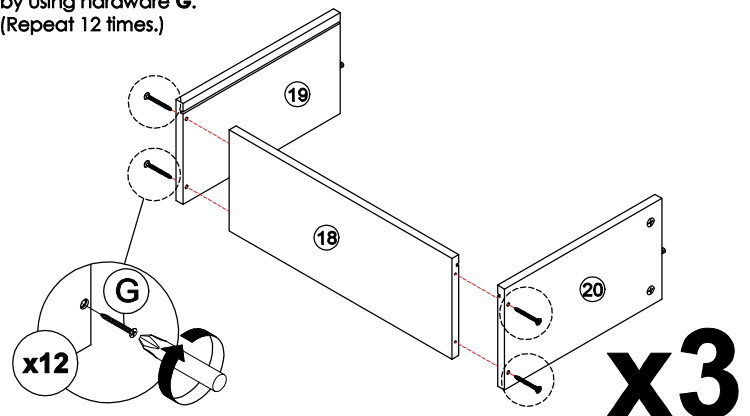
**STEP 14**

- Put the panel **(10)** into between panel **(2)** and **(8)**, panel **(11)** into between panel **(2)** and **(9)**.

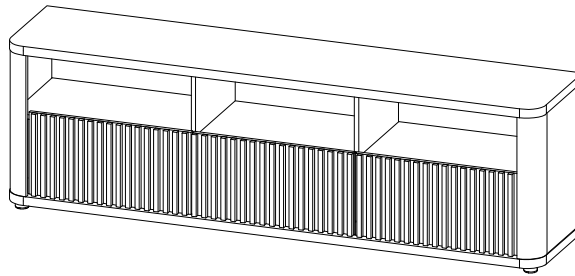


**STEP 15**

- Assemble panel **(18)** with panel **(19)** and **(20)** by using hardware **G**.  
(Repeat 12 times.)



**CODING**  
- 336119

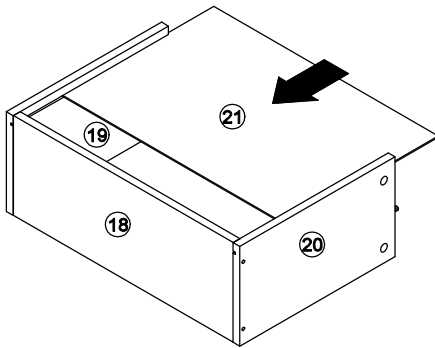


ISO 9001:2015  
Reg. No. 00043-1-KY-1-QMS

**nuhoom.com**

**STEP 16**

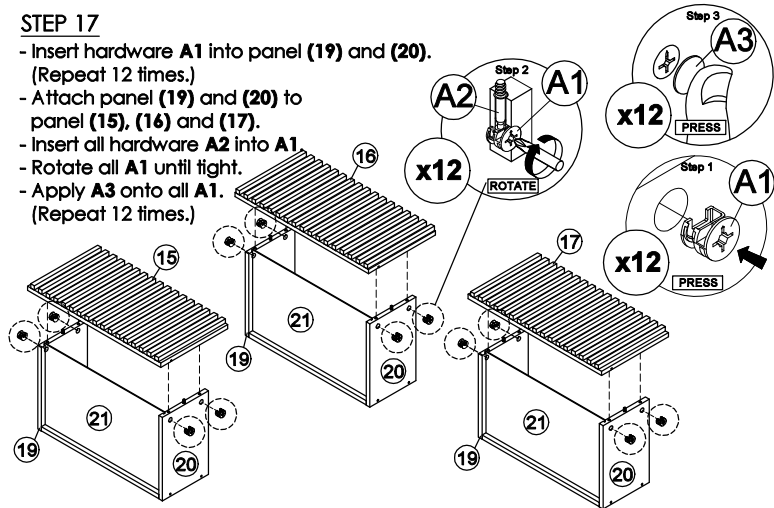
Insert the panel (21) along the slot.  
(Repeat 3 times.)



**x3**

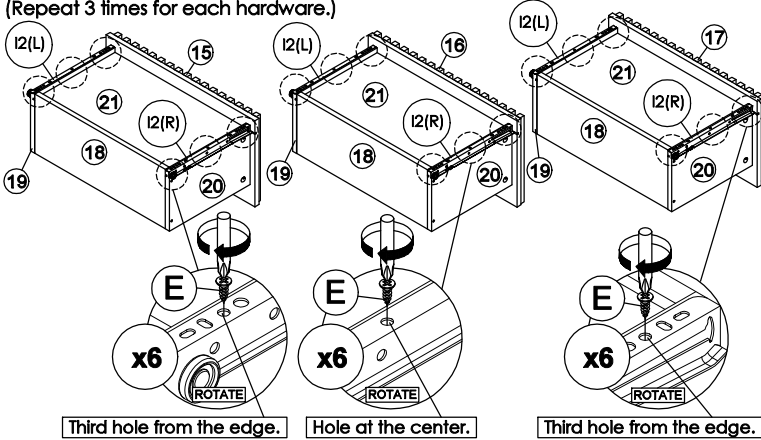
**STEP 17**

- Insert hardware **A1** into panel (19) and (20).  
(Repeat 12 times.)
- Attach panel (19) and (20) to panel (15), (16) and (17).
- Insert all hardware **A2** into **A1**.
- Rotate all **A1** until tight.
- Apply **A3** onto all **A1**.  
(Repeat 12 times.)



**STEP 18**

Assemble hardware **I2 (L/R)** to panel (19) and (20) by using hardware **E**.  
(Repeat 3 times for each hardware.)



**STEP 19**

Put all the drawer in place along the drawer slides.

