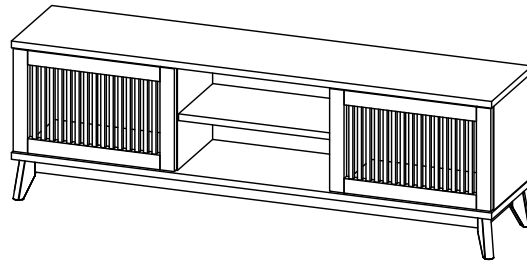


CODING
- 336118



ISO 9001:2015
Reg. No. 00003-L-ART-1-QM8

nuhoom.com

Read the instructions carefully. Remove all the wrappings, staples and straps from the carton. Refer to the hardware and furniture part list for guidance. Make sure that you have all the parts before you start assembling. Place all the wooden furniture parts on a clean, flat and soft surface, such as a carpet or rubbermat to prevent scratches.

CAUTION
KEEP ALL THE PARTS OUT OF CHILDREN'S REACH.

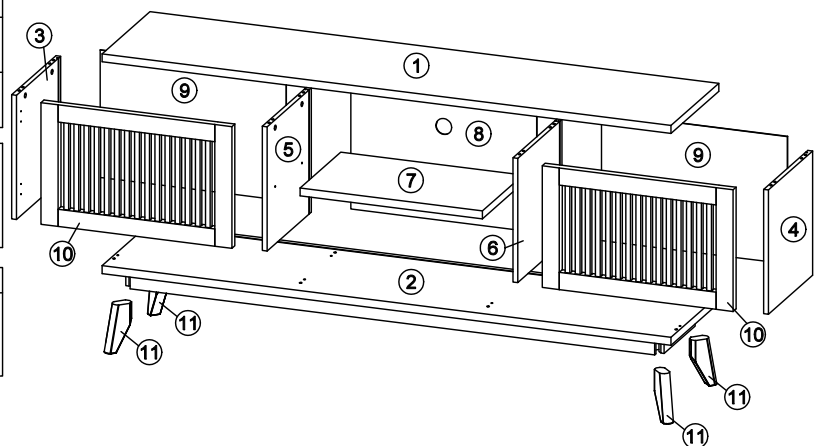
| PART LIST | | QTY |
|-----------|-------------------|-------|
| 1 | TOP PANEL | 1 PC |
| 2 | BOTTOM PANEL | 1 PC |
| 3 | SIDE PANEL (L) | 1 PC |
| 4 | SIDE PANEL (R) | 1 PC |
| 5 | CENTER PANEL (L) | 1 PC |
| 6 | CENTER PANEL (R) | 1 PC |
| 7 | SHELF PANEL | 1 PC |
| 8 | BACK PANEL (CTR) | 1 PC |
| 9 | BACK PANEL (SIDE) | 2 PCS |
| 10 | DOOR PANEL | 2 PCS |
| 11 | CABINET LEG | 4 PCS |

| HARDWARE | | | |
|----------|------------------------------|------------|--------|
| A | MINI FIX | A1 A2 A3 | 8 SETS |
| B | M8 X 30MM WOOD DOWEL | | 16 PCS |
| C | M6 X 60MM CSK CAP WOOD SCREW | | 8 PCS |
| D | ALLEN KEY M4 | | 1 PC |
| E | M3.5 X 16MM C.B SCREW | | 24 PCS |
| F | JCBC SCREW M6 X 70MM | | 8 PCS |
| G | SPRING WASHER M6 | | 8 PCS |
| H | FLAT WASHER M6 | | 8 PCS |
| I | METAL SHELF SUPPORT | | 4 PCS |
| J | STUB 192 WITH SCREW | J1 J2 | 8 PCS |
| K | SOFT CLOSING 5/8 HINGES | | 4 PCS |

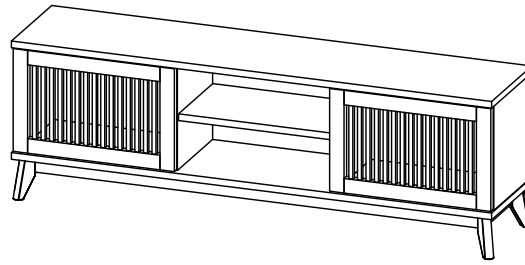
| | | |
|----------------------|--|--------|
| TIPPING PACK WITH A1 | | 2 SETS |
|----------------------|--|--------|

SELF-PREPARED TOOLS: Tools below are NOT included in package.

| | | | |
|--|-------------|--|--------|
| | SCREWDRIVER | | HAMMER |
|--|-------------|--|--------|



CODING
- 336118

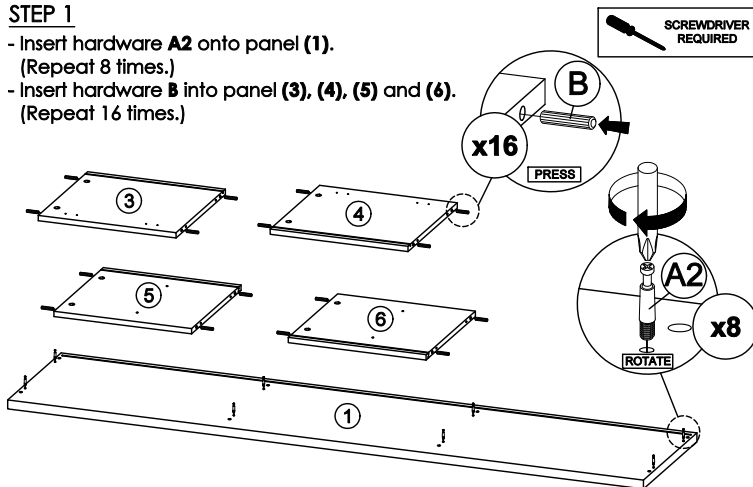


ISO 9001:2015
Reg. No. 00003-L-INT-1-QM8

nuhoom.com

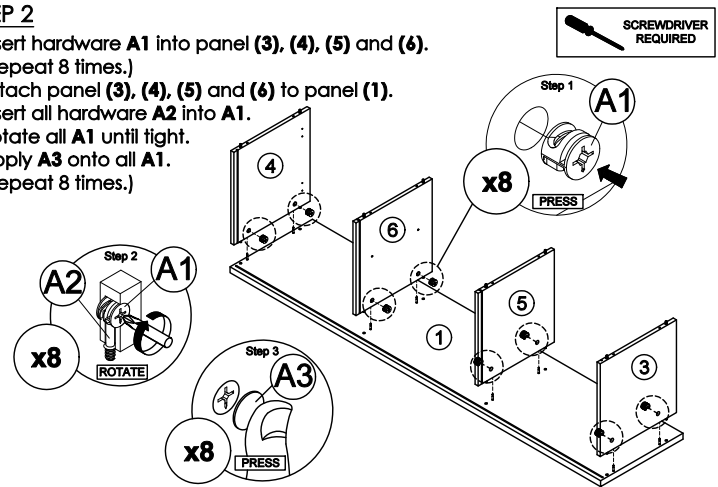
STEP 1

- Insert hardware **A2** onto panel **(1)**.
(Repeat 8 times.)
- Insert hardware **B** into panel **(3)**, **(4)**, **(5)** and **(6)**.
(Repeat 16 times.)



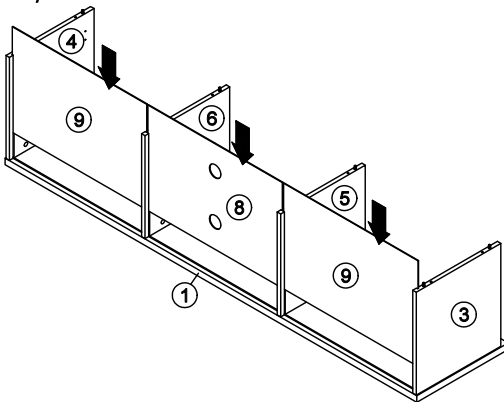
STEP 2

- Insert hardware **A1** into panel **(3)**, **(4)**, **(5)** and **(6)**.
(Repeat 8 times.)
- Attach panel **(3)**, **(4)**, **(5)** and **(6)** to panel **(1)**.
- Insert all hardware **A2** into **A1**.
- Rotate all **A1** until tight.
- Apply **A3** onto all **A1**.
(Repeat 8 times.)



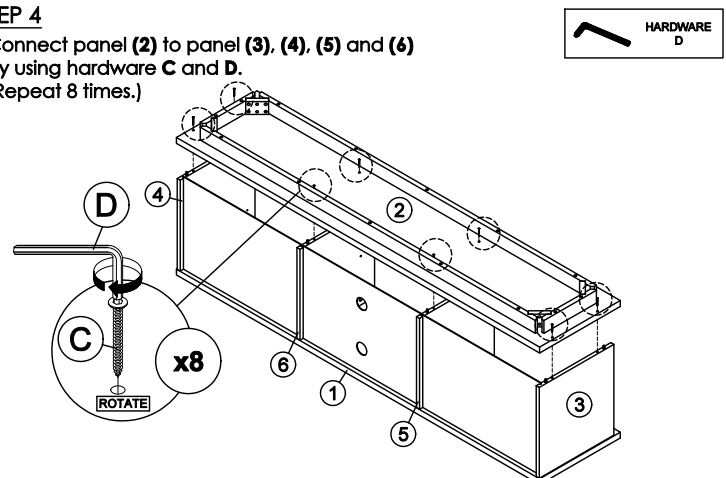
STEP 3

- Insert the panel **(8)** and **(9)** along the slot.
(Repeat 3 times.)



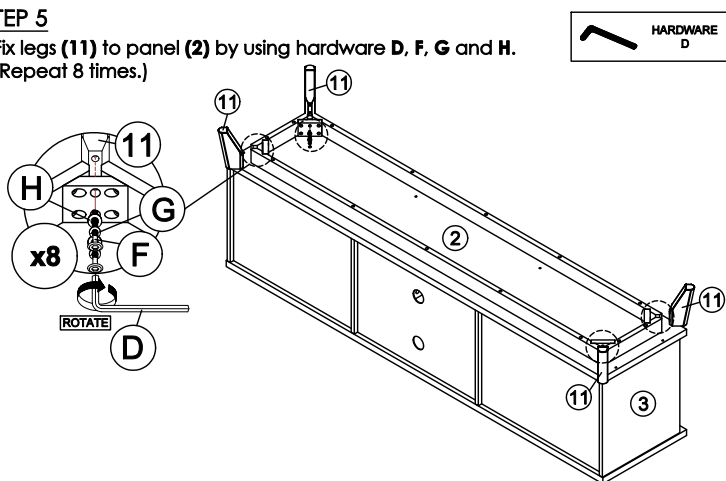
STEP 4

- Connect panel **(2)** to panel **(3)**, **(4)**, **(5)** and **(6)** by using hardware **C** and **D**.
(Repeat 8 times.)



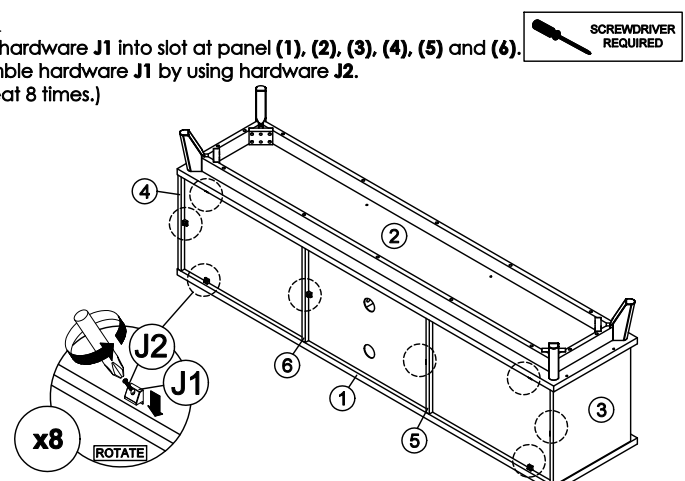
STEP 5

- Fix legs **(11)** to panel **(2)** by using hardware **D**, **F**, **G** and **H**.
(Repeat 8 times.)

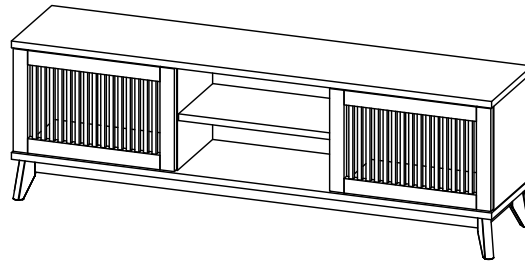


STEP 6

- Insert hardware **J1** into slot at panel **(1)**, **(2)**, **(3)**, **(4)**, **(5)** and **(6)**.
- Assemble hardware **J1** by using hardware **J2**.
(Repeat 8 times.)



CODING
- 336118

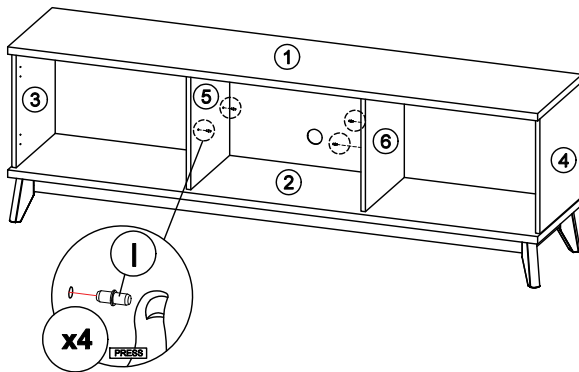


ISO 9001:2015
Reg. No. 00003-L-INT-1-Q08

nuhoom.com

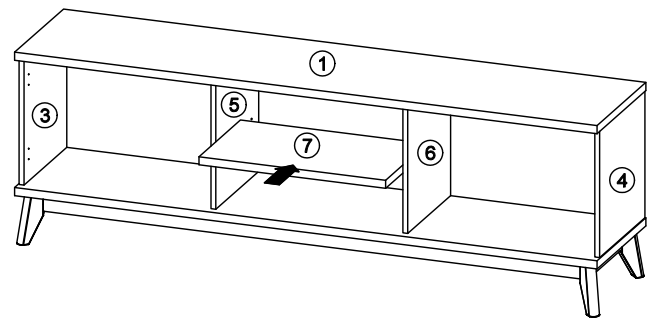
STEP 7

- Insert hardware **I** into mounting positions on panel **(5)** and **(6)** by hand.
(Repeat 4 times.)



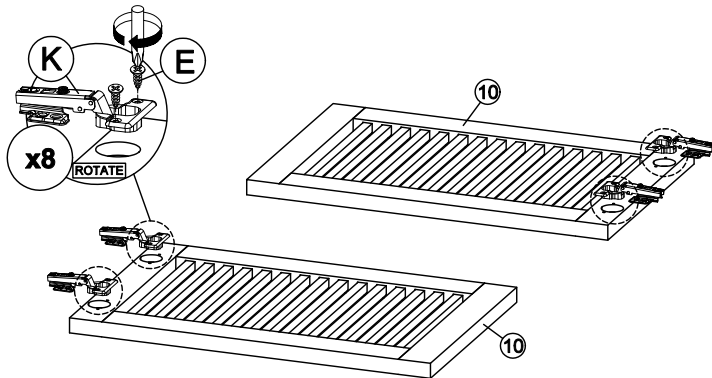
STEP 8

- Assemble the panel **(7)** into between panel **(5)** and **(6)**.



STEP 9

- Fix hardware **K** onto panel **(10)** by using hardware **E**.
(Repeat 2 times for each hardware.)



STEP 10

- Fix hardware **K** into panel **(3)** and **(4)** by using hardware **E**.
(Repeat 4 times for each hardware.)
- Tighten or loosen the screw to adjust position of panel **(10)**.
(Do only when needed.)

