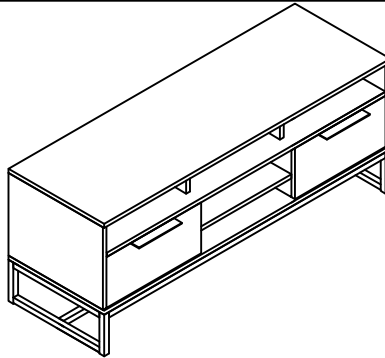


CODING
-336070



ISO 9001: 2015
Reg. No. 000435-1-MY-1-QMS

LUooma.com

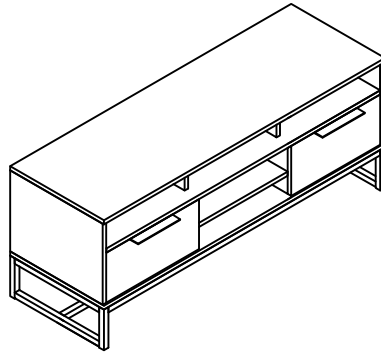
Read the instructions carefully. Remove all the wrappings , staples and straps from the carton. Refer to the hardware and furniture part list for guidance. Make sure that you have all the parts before you start assembling. Place all the wooden furniture parts on a clean, flat and soft surface, such as a carpet or rubbermat to prevent scratches.

CAUTION
KEEP ALL THE PARTS OUT OF CHILDREN'S REACH.

ITEM	PHOTO	HARDWARE NAME	QTY
(A)		Allen Key M4	1
(B)		Plastic Dowel M8x25	28
(C)		JCBC W Screw M6x40	12
(D)		JCBC Screw M6x50 Flat & Spring Washers	6
(E)		Mini Fix Bolt	16
(F)		Mini Fix Housing	16
(G)		Mini Fix Cap	16
(H)		CSK Screw M4x32mm	8
(I)		CSK Screw M4x50mm	16
(J)		CSK Screw M3.5x16mm	44
(K)		14" Drawer Slide	2
(L)		L Bracket	4
(M)		Handle	2
(N)		Shelf Support Metal	4

ITEM	PHOTO	PART NAME	QTY
(1)		Top Panel	1
(2)		Side Panel (L)	1
(3)		Upper Middle Panel	2
(4)		Lower Left Middle Panel	1
(5)		Lower Right Middle Panel	1
(6)		Side Panel (R)	1
(7)		Middle Support Panel	1
(8)		Middle Panel	1
(9)		Bottom Panel	1
(10)		Back Panel	1
(11)		Drawer Front Panel	2
(12)		Drawer Side Panel	4
(13)		Drawer Back Panel	2
(14)		Drawer Bottom Panel	2
(15)		Metal Frame Leg	2
(16)		Metal Support 1	2
(17)		Metal Support 2	1
(18)		U Metal Support Legs	2

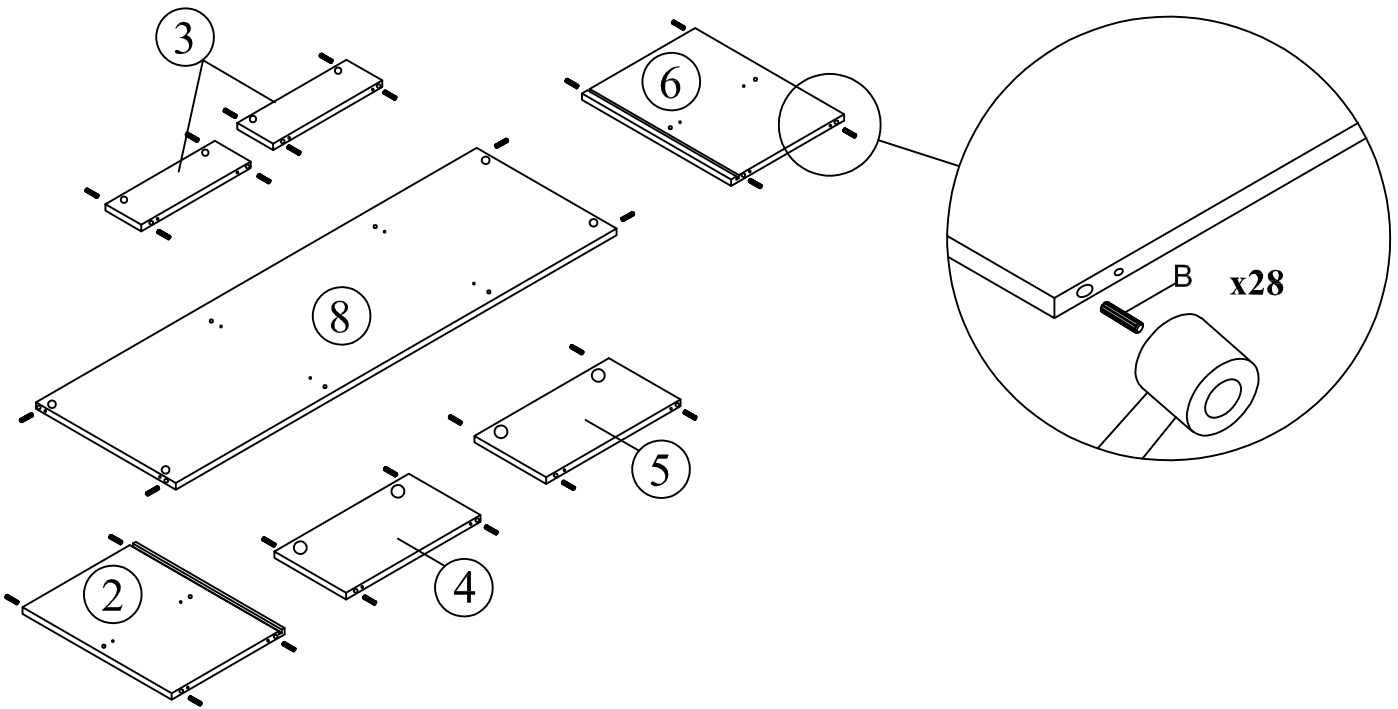
CODING
-336070



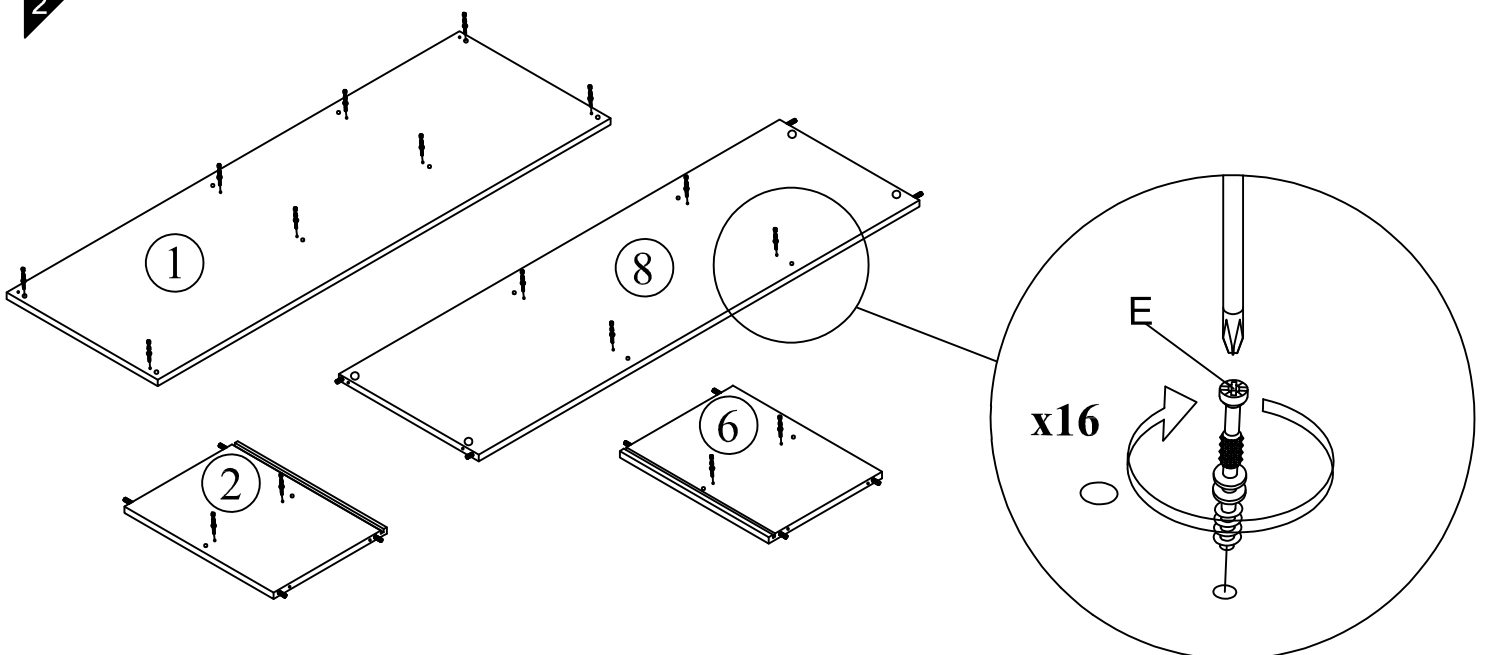
ISO 9001: 2015
Reg. No. 000435-1-MY-1-QMS

LUOMA.COM

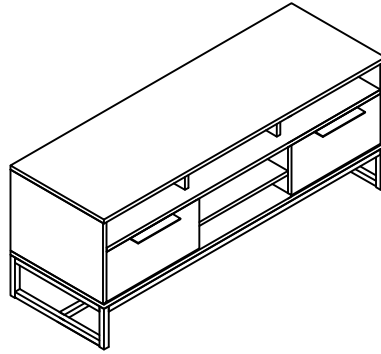
1



2



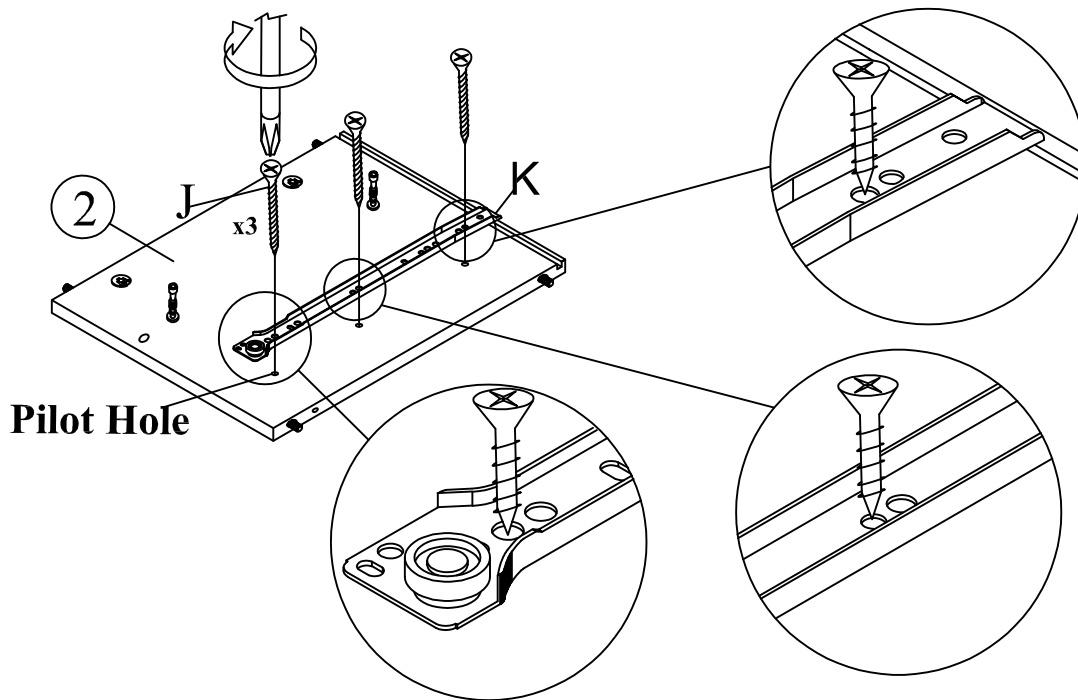
CODING
-336070



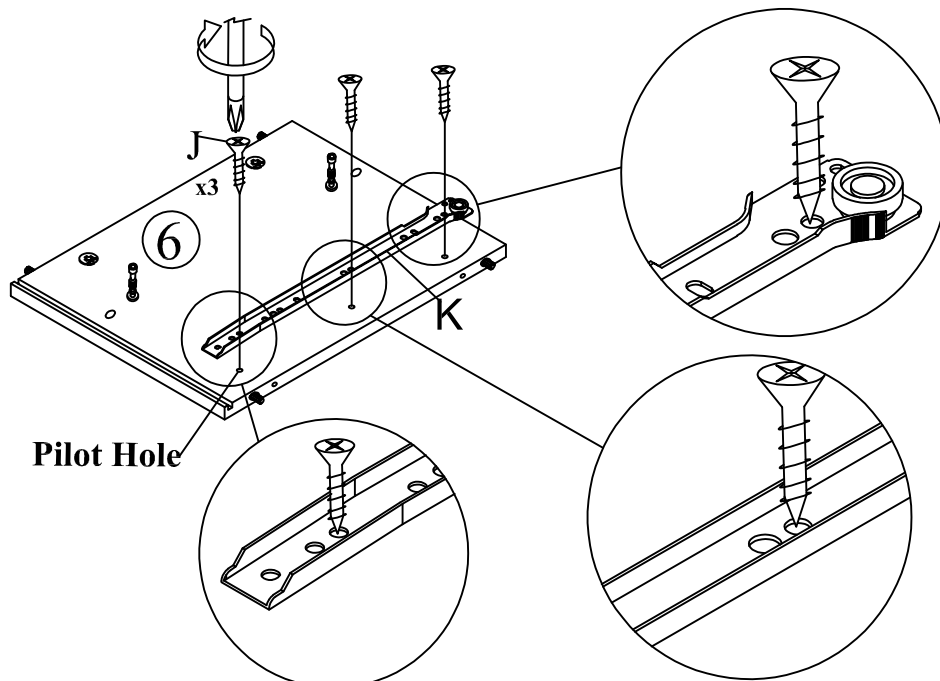
ISO 9001: 2015
Reg. No. 000435-1-MY-1-QMS

LUOMA.COM

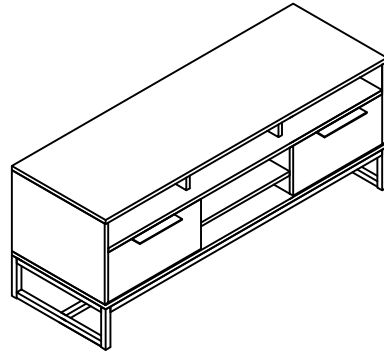
3



4



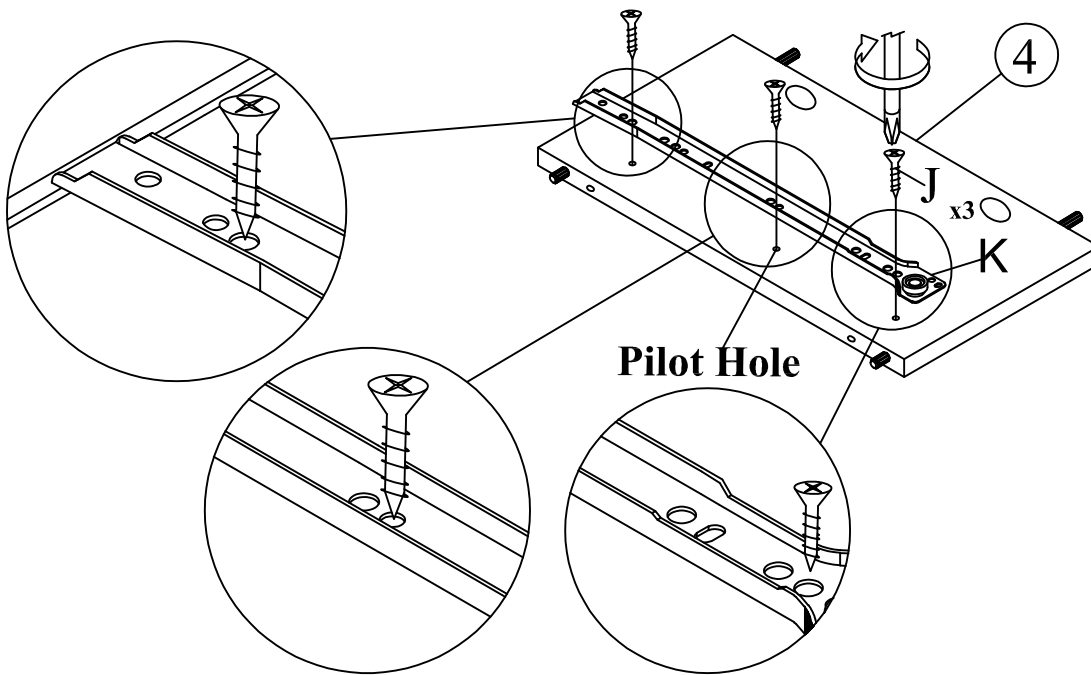
CODING
-336070



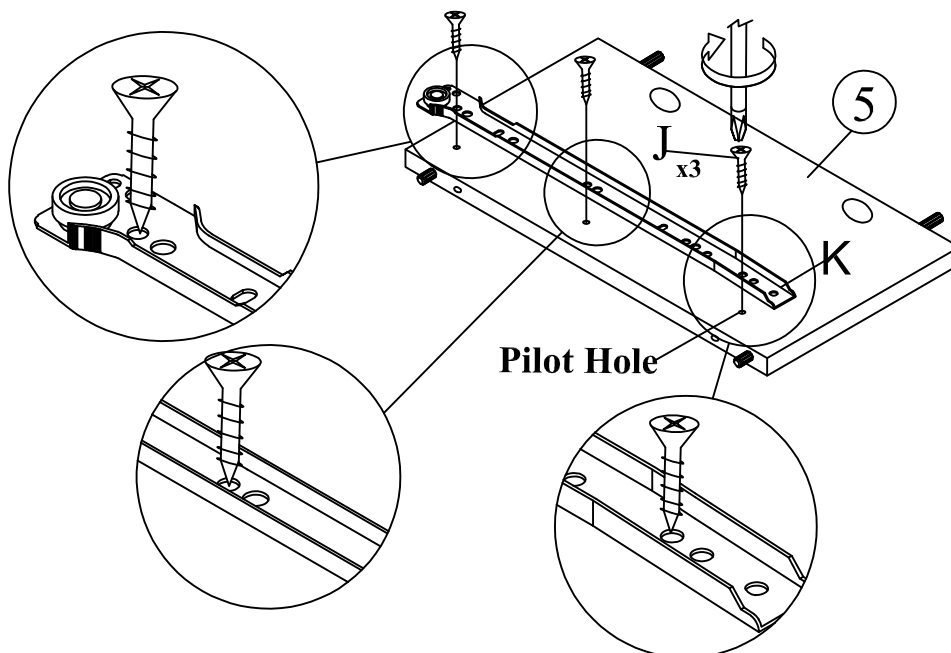
ISO 9001: 2015
Reg. No. 000435-1-MY-1-QMS

LUOMA.COM

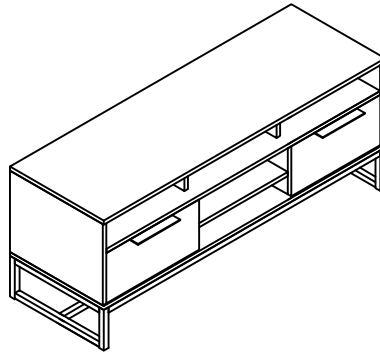
5



6



CODING
-336070



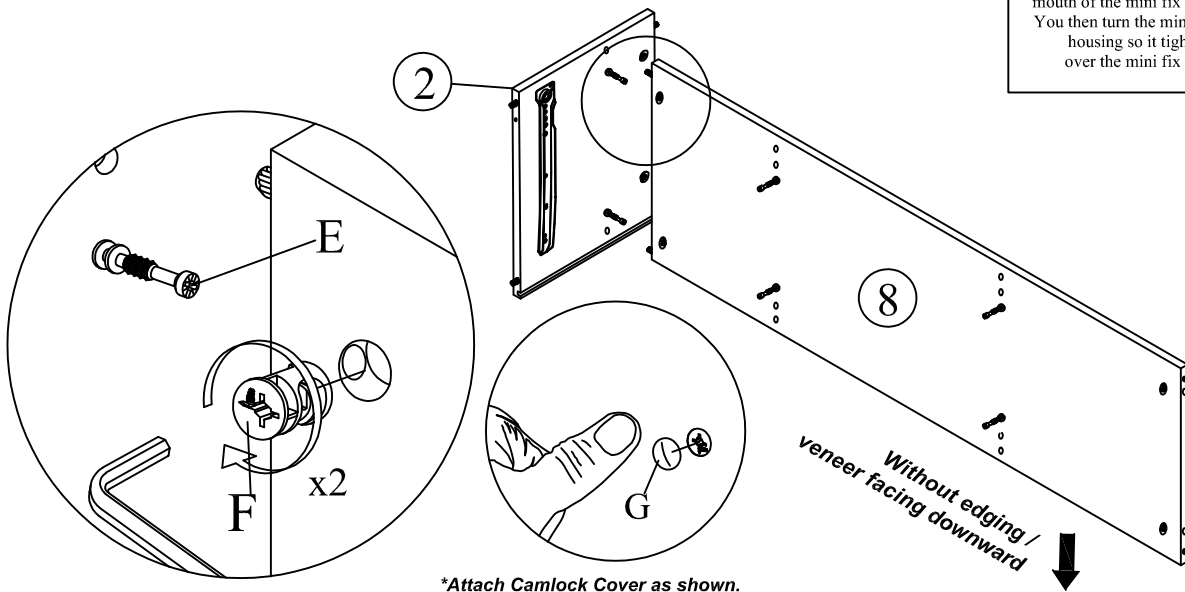
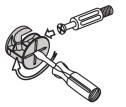
ISO 9001: 2015
Reg. No. 000435-1-MY-1-QMS

LUOMA.COM

7

This is how a mini fix works...

The head of the mini fix housing goes into the open mouth of the mini fix bolt. You then turn the mini fix housing so it tightens over the mini fix bolt.

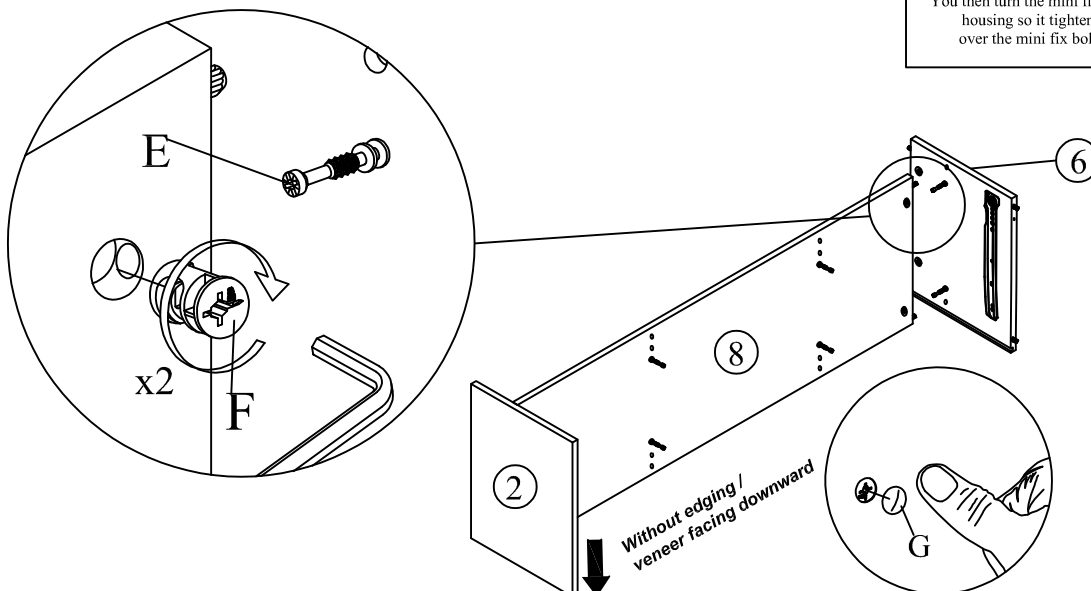


*Attach Camlock Cover as shown.

8

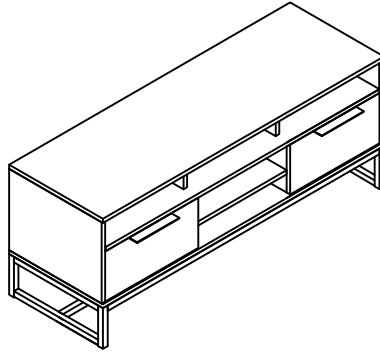
This is how a mini fix works...

The head of the mini fix housing goes into the open mouth of the mini fix bolt. You then turn the mini fix housing so it tightens over the mini fix bolt.



*Attach Camlock Cover as shown.

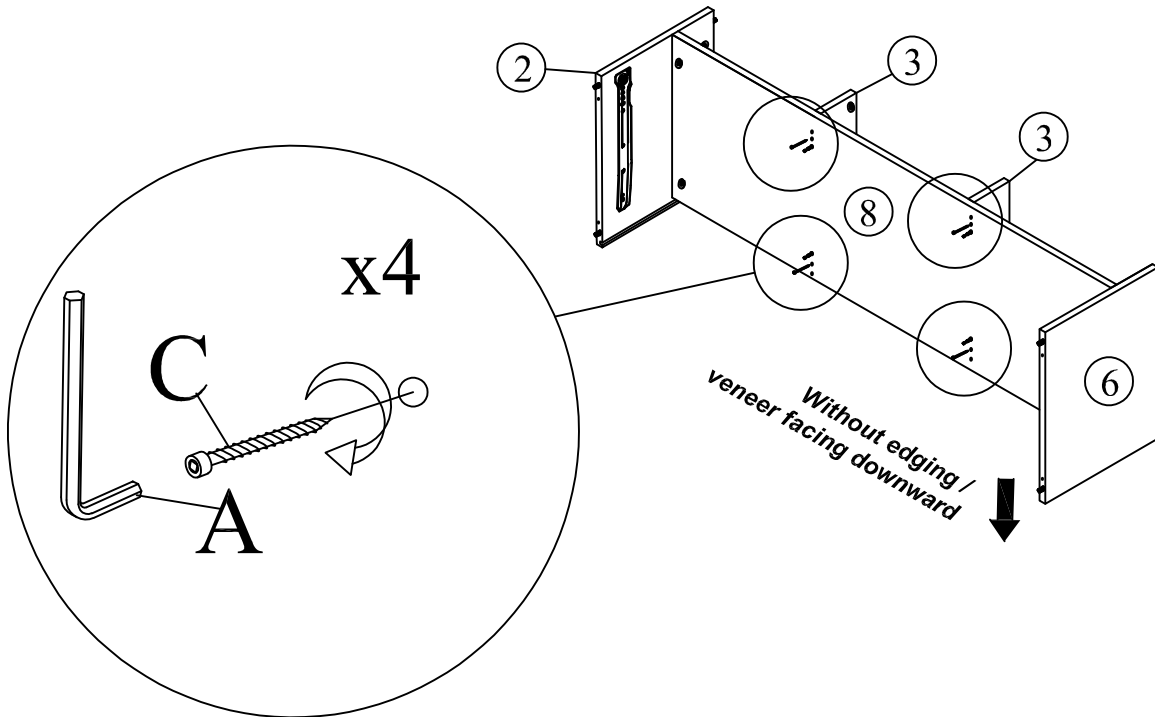
CODING
-336070



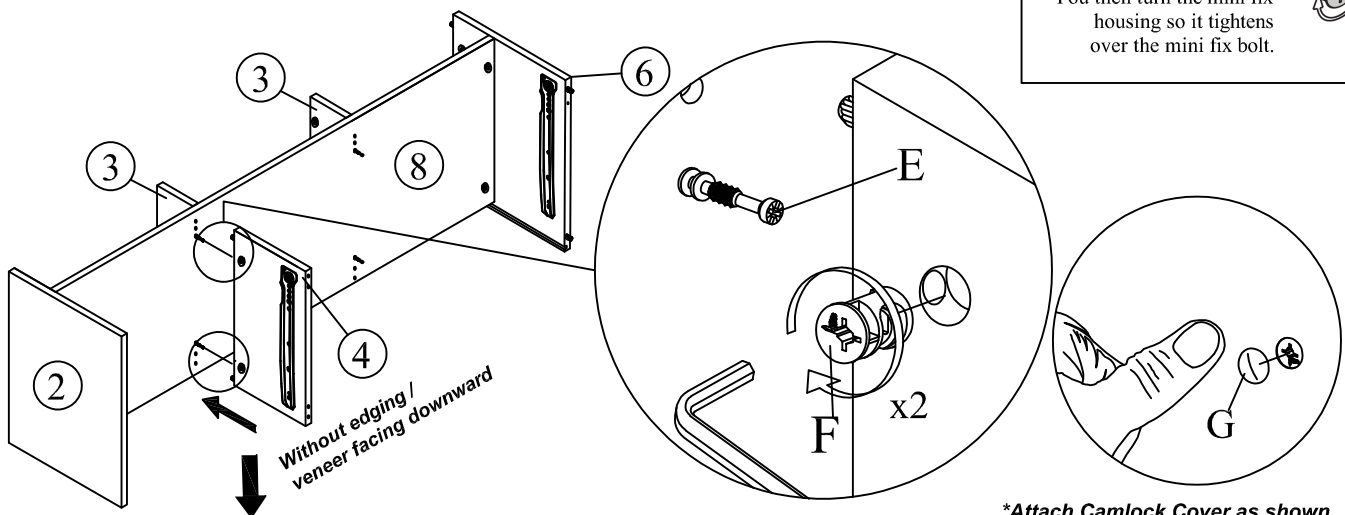
ISO 9001: 2015
Reg. No. 000435-1-MY-1-QMS

LUOMA.COM

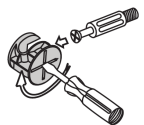
9



10

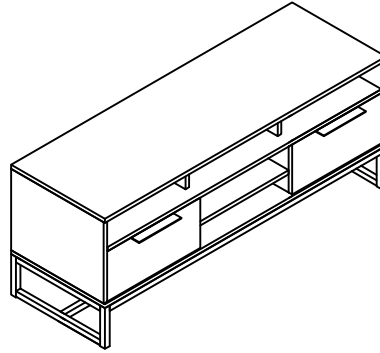


This is how a mini fix works...
The head of the mini fix housing goes into the open mouth of the mini fix bolt. You then turn the mini fix housing so it tightens over the mini fix bolt.



*Attach Camlock Cover as shown.

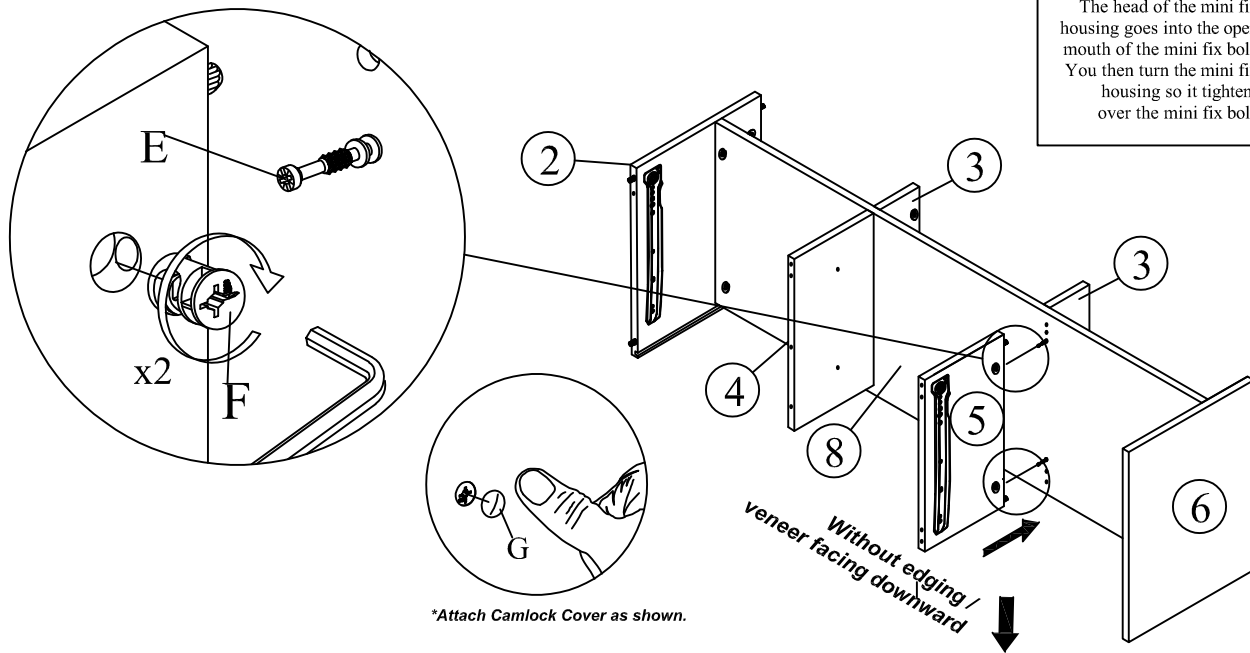
CODING
-336070



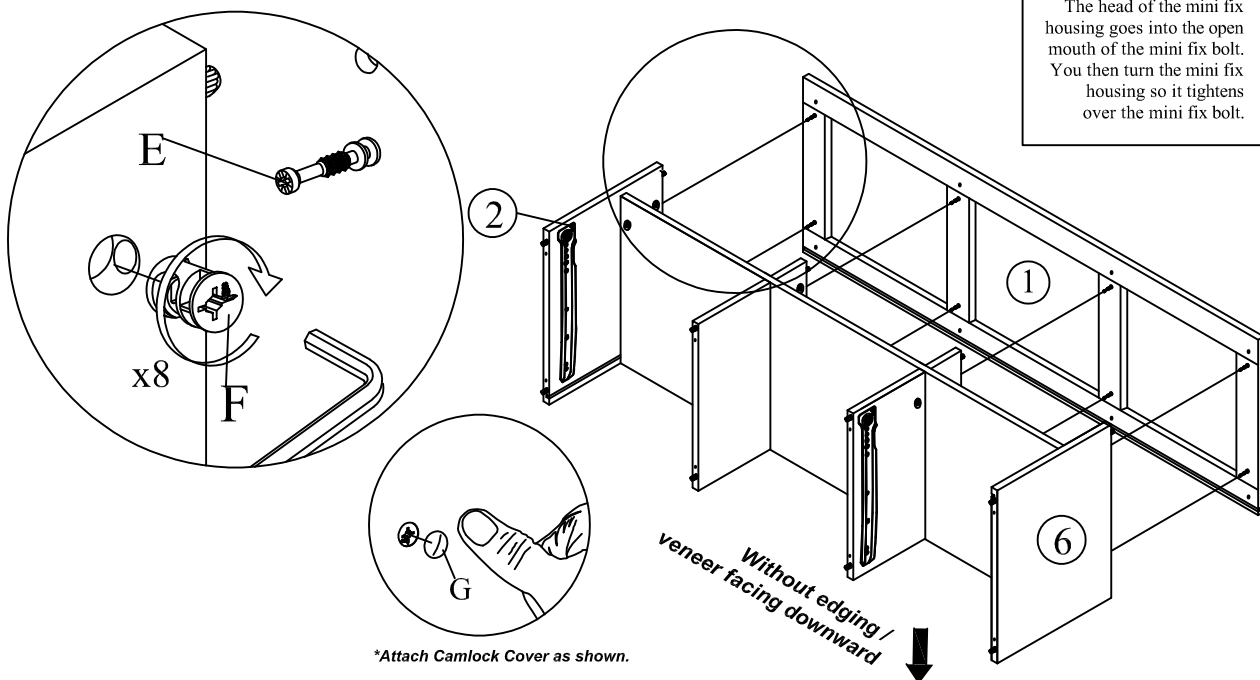
ISO 9001: 2015
Reg. No. 000435-1-MY-1-QMS

LUOMA.COM

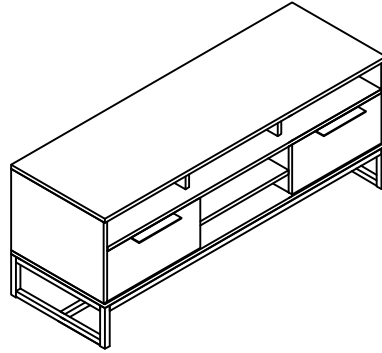
11



12



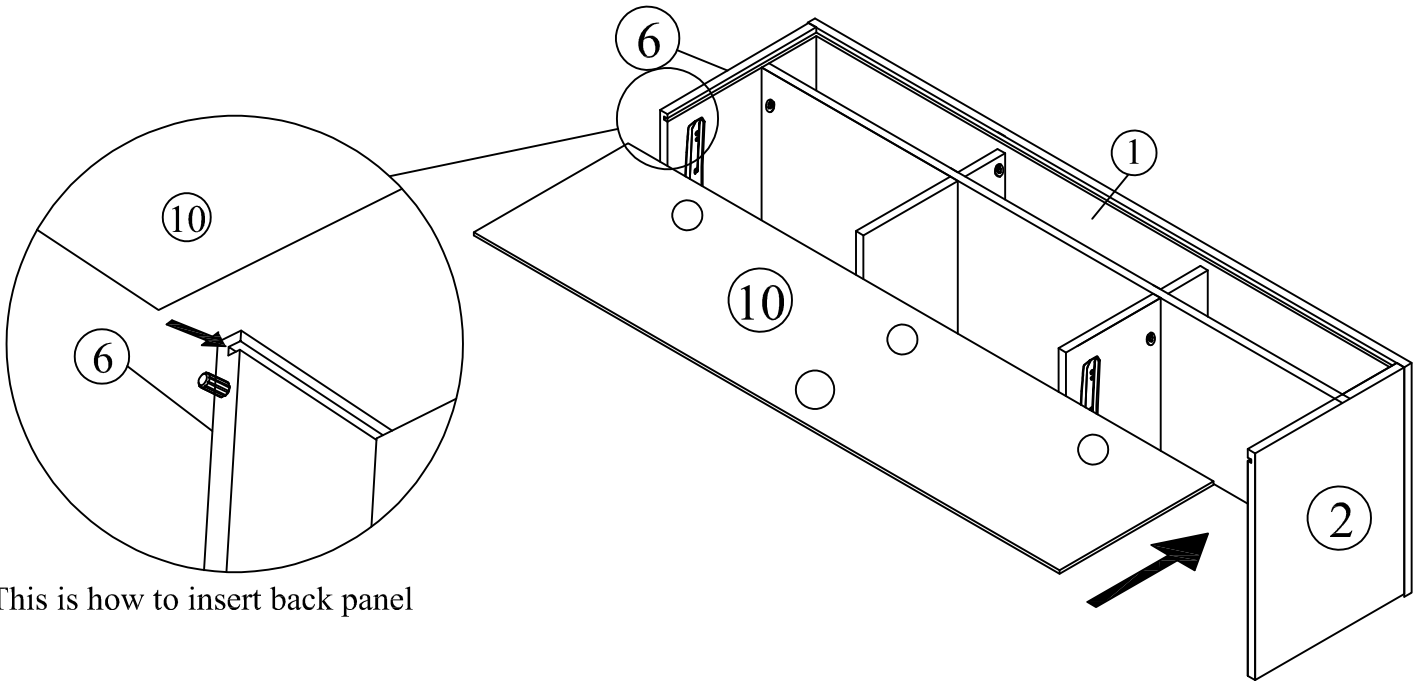
CODING
-336070



ISO 9001: 2015
Reg. No. 000435-1-MY-1-QMS

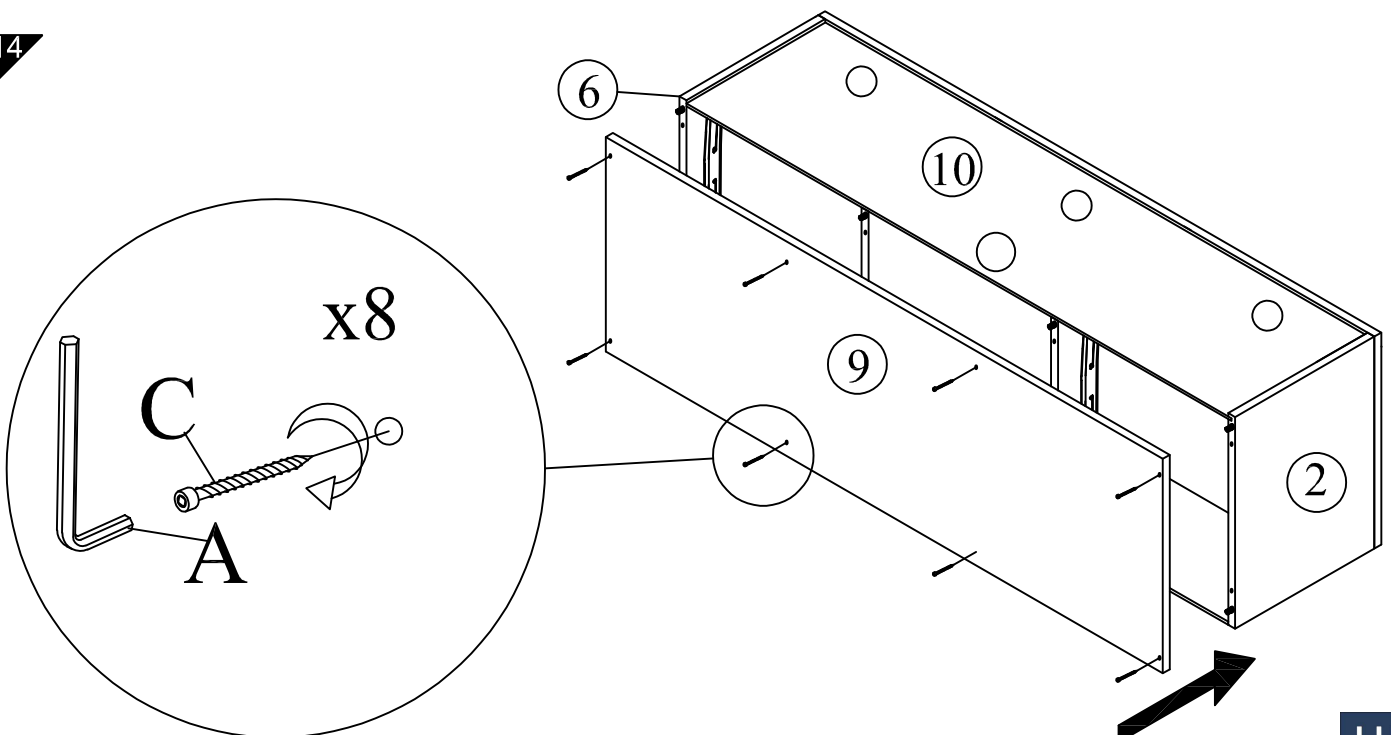
LUOMA.COM

13

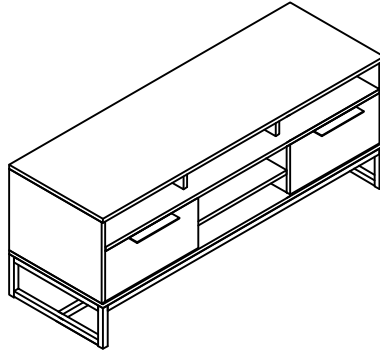


This is how to insert back panel

14



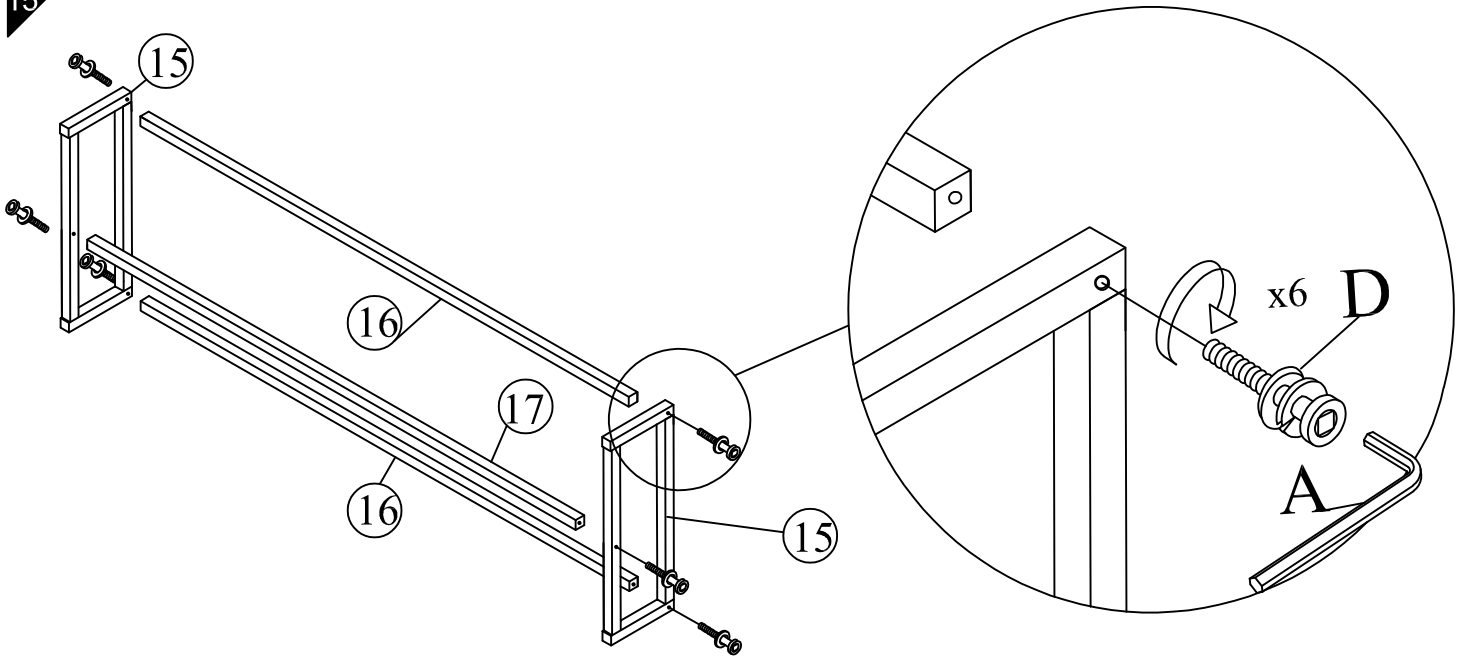
CODING
-336070



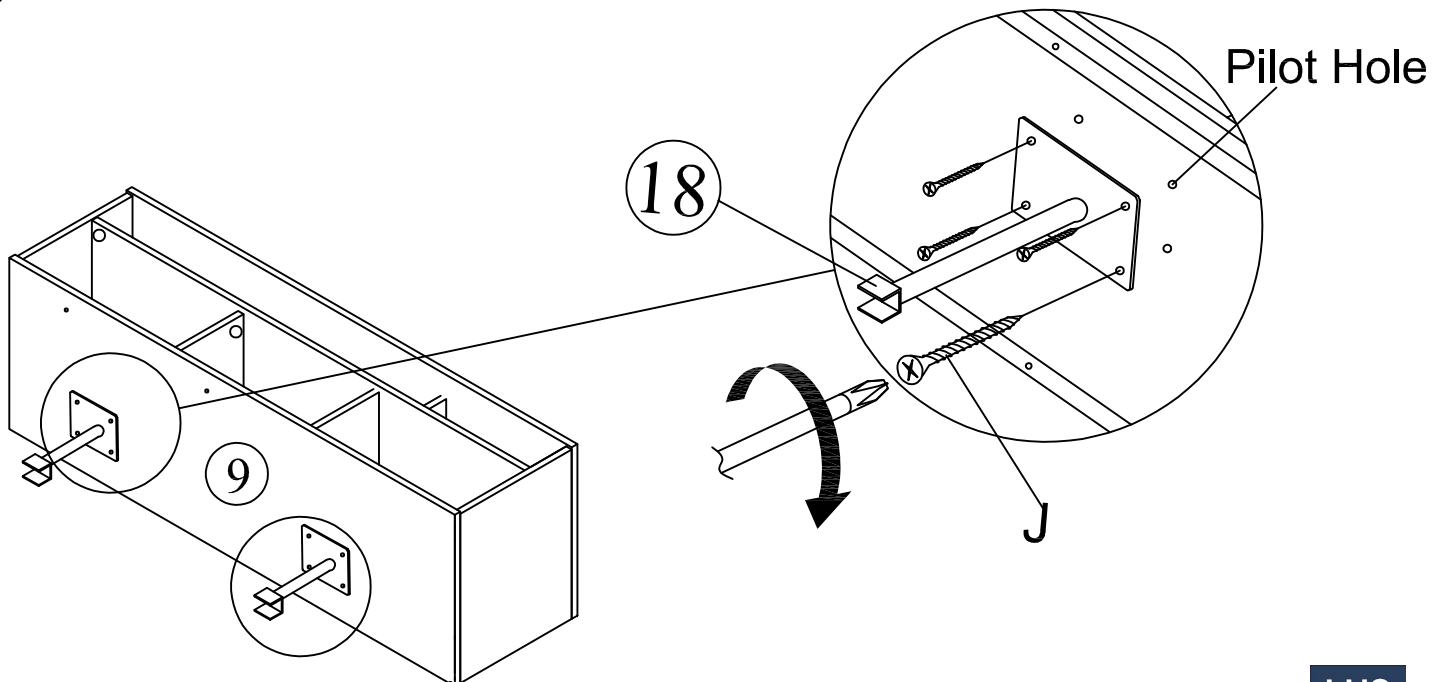
ISO 9001: 2015
Reg. No. 000435-1-MY-1-QMS

LUOMA.COM

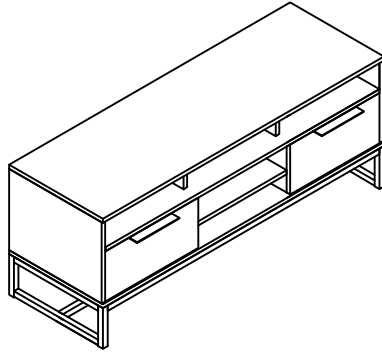
15



16



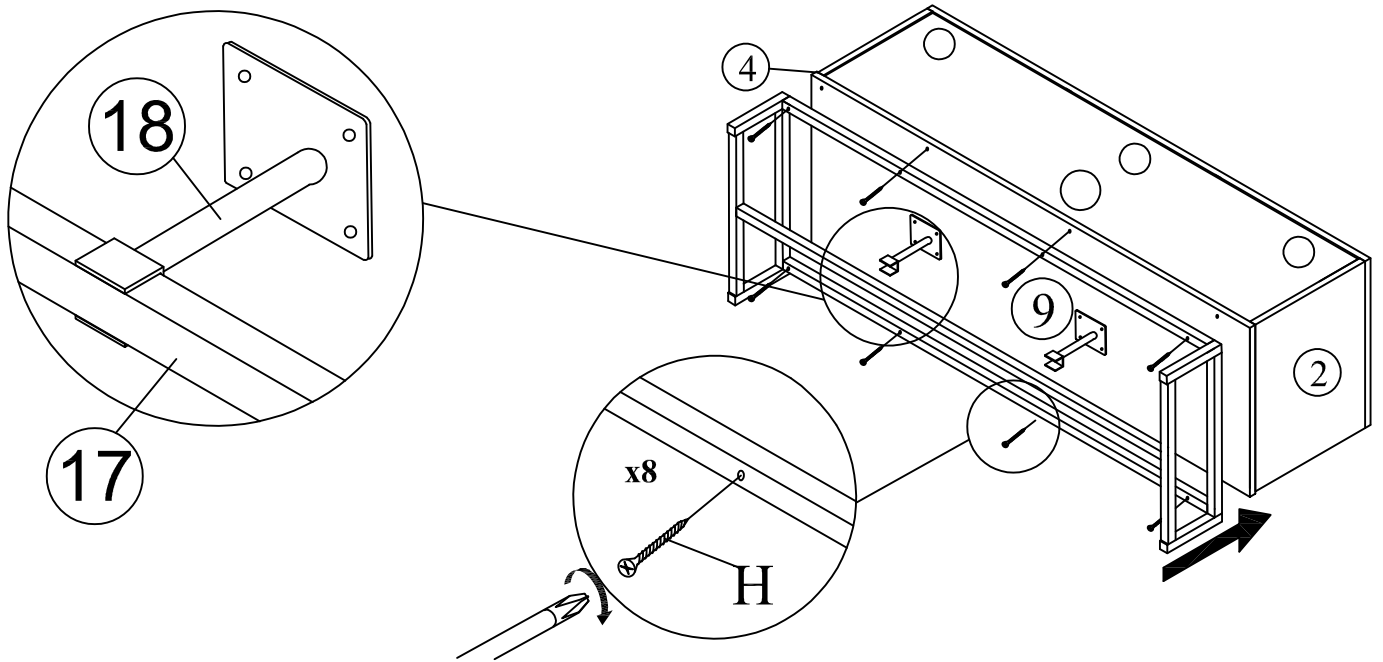
CODING
-336070



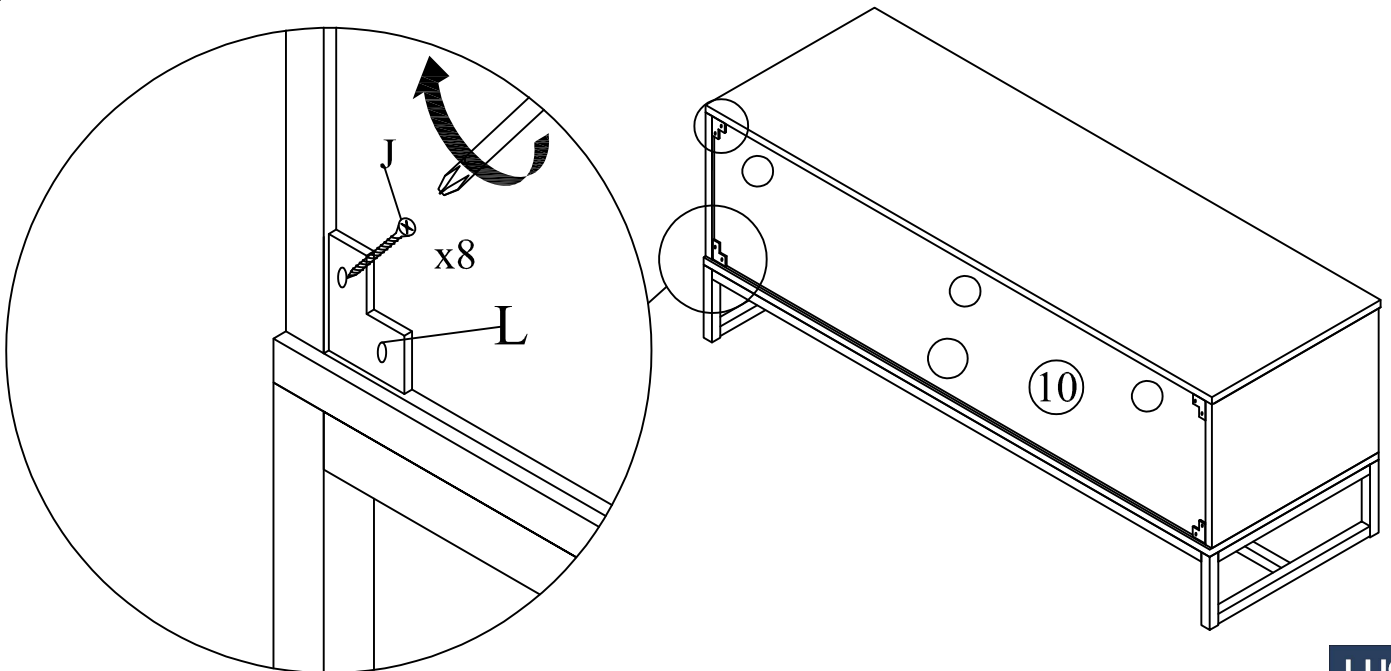
ISO 9001: 2015
Reg. No. 000435-1-MY-1-QMS

LUOMA.COM

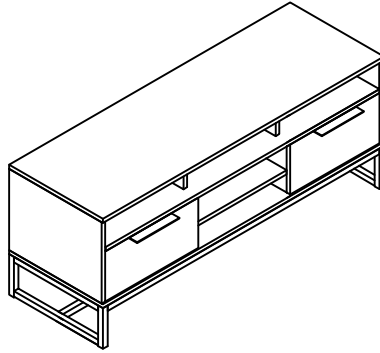
17



18



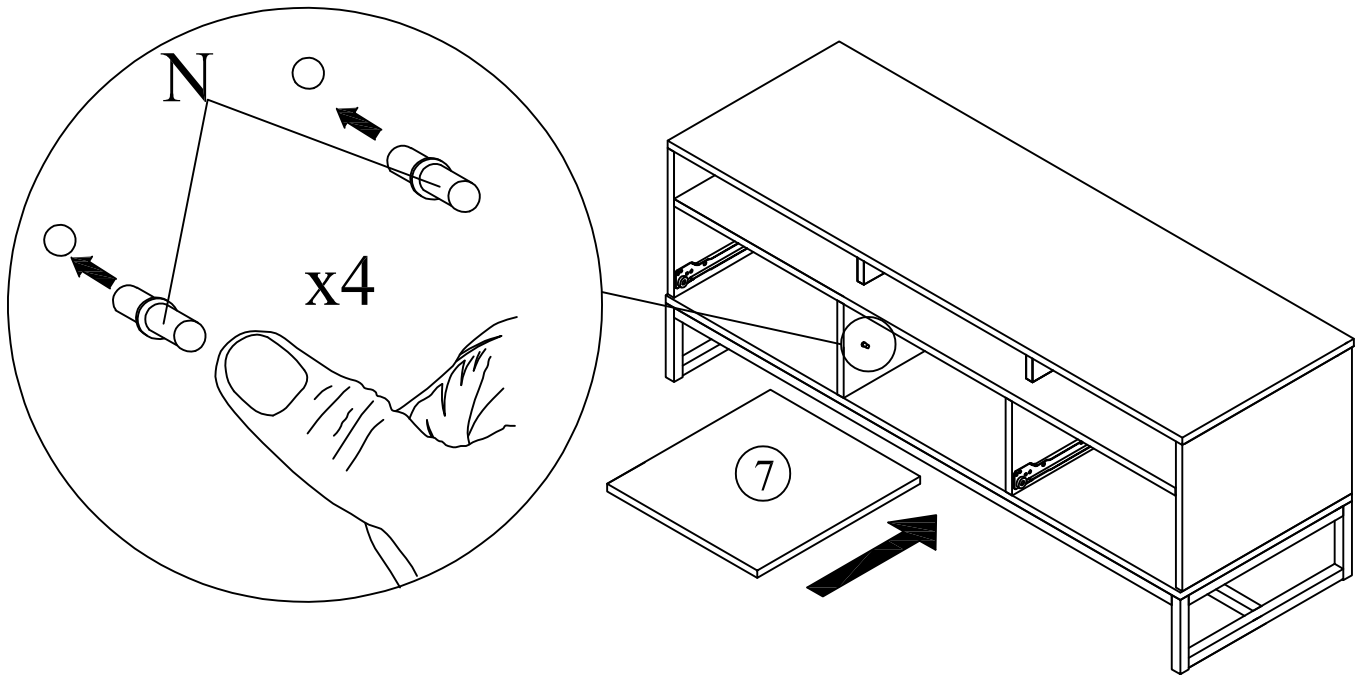
CODING
-336070



ISO 9001: 2015
Reg. No. 000435-1-MY-1-QMS

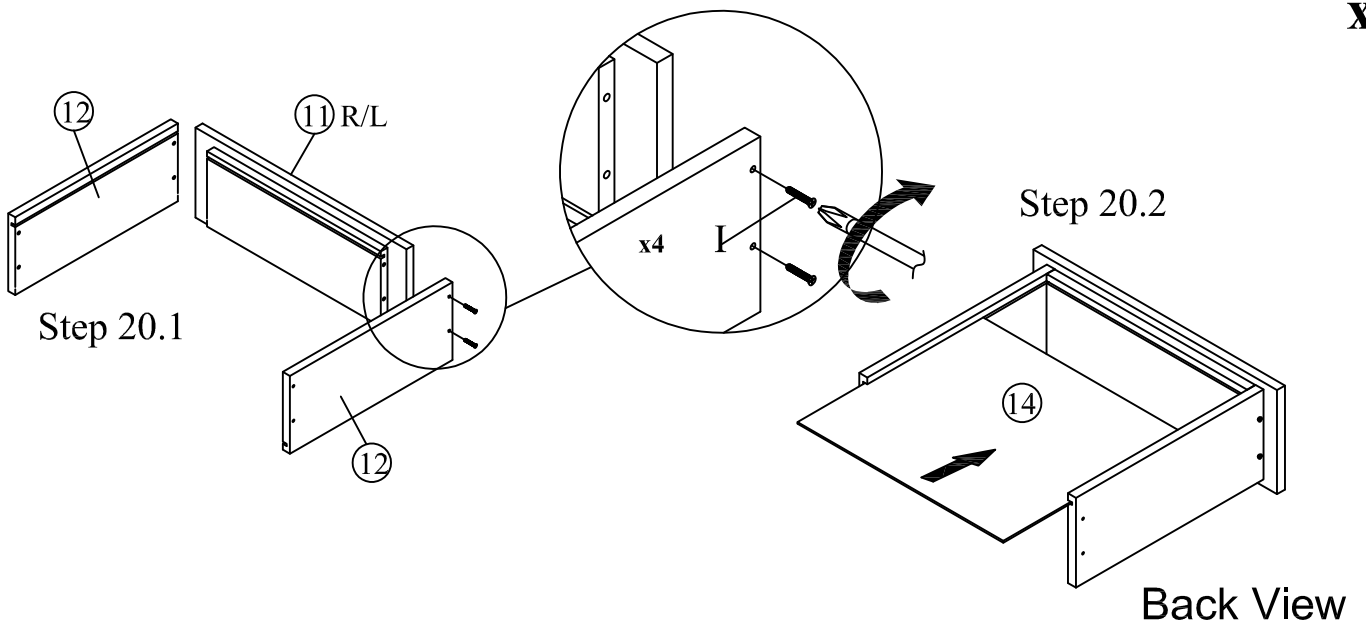
LUOMA.COM

19

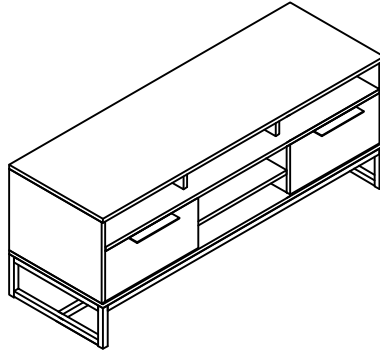


20

x2



CODING
-336070

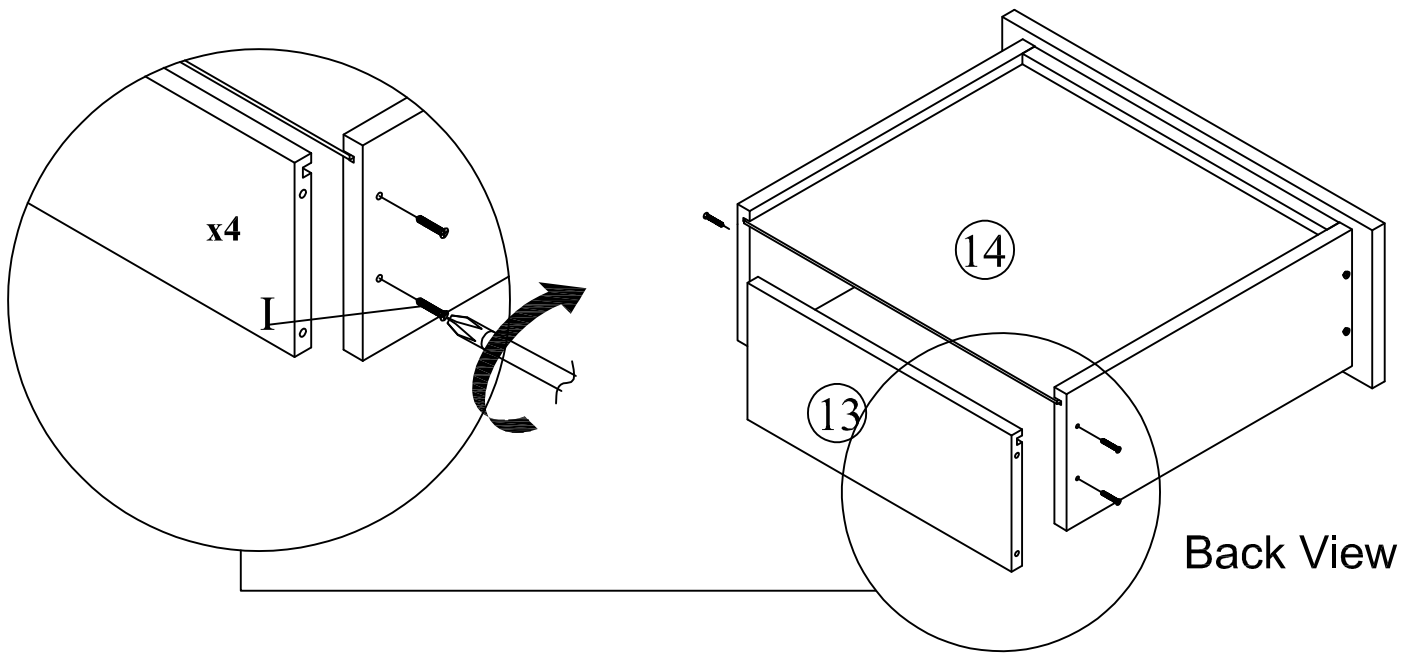


ISO 9001: 2015
Reg. No. 000435-1-MY-1-QMS

LUOMA.COM

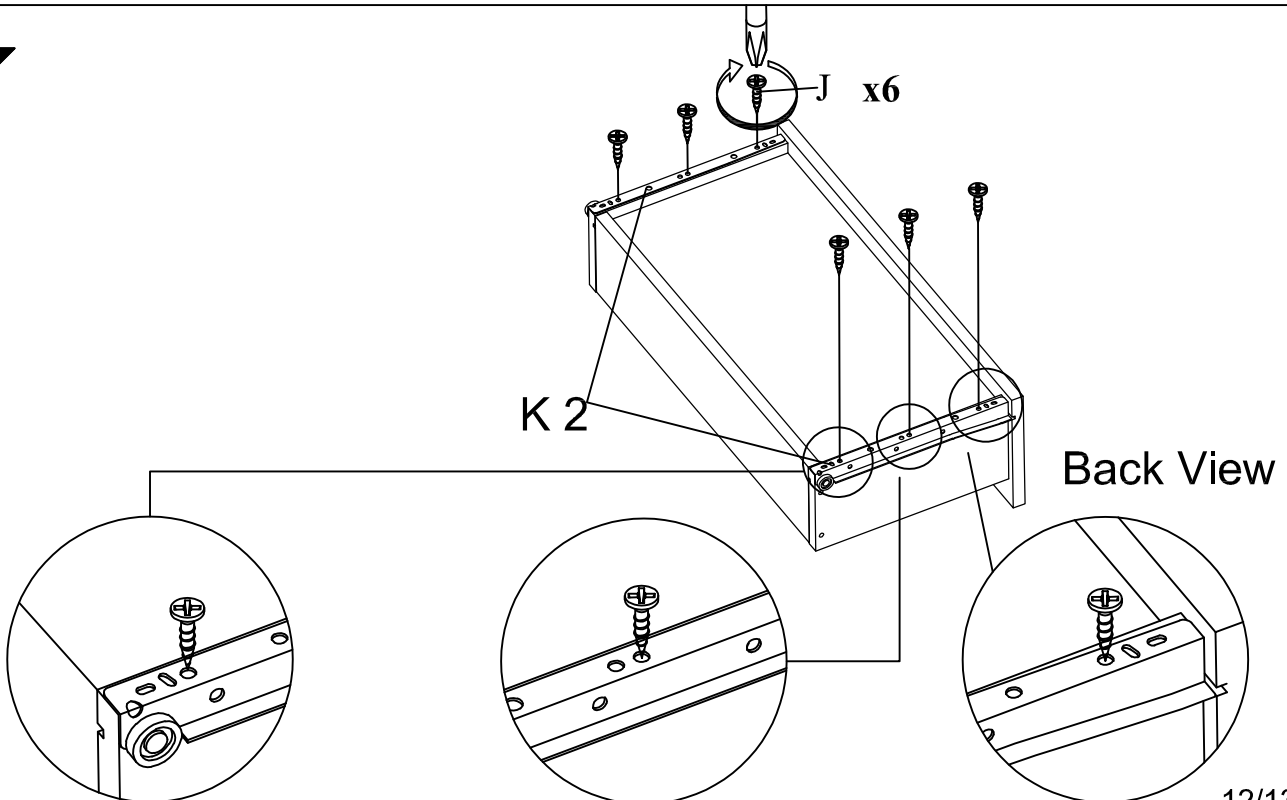
21

x2

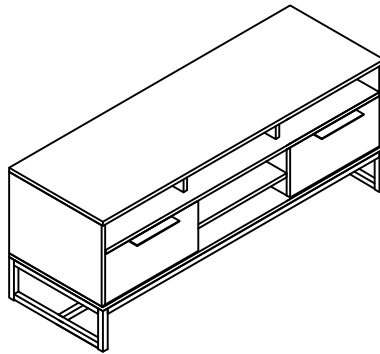


22

x2



CODING
-336070

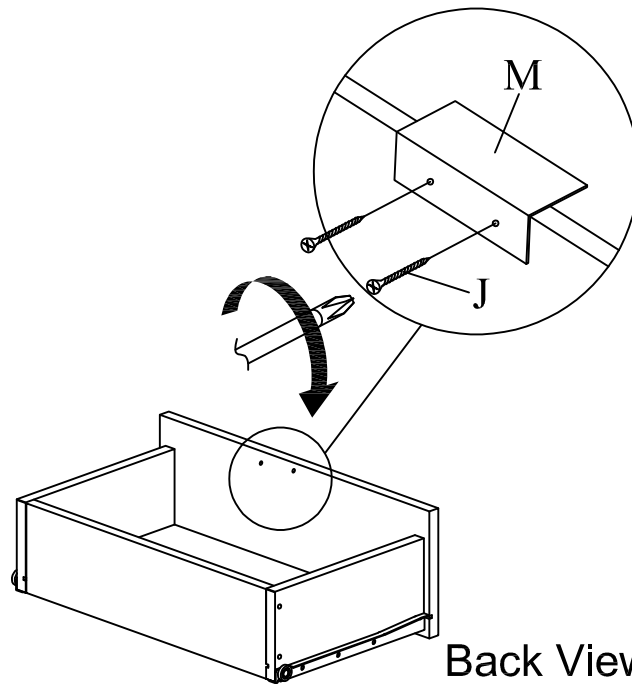


ISO 9001: 2015
Reg. No. 000435-1-MY-1-QMS

LUOMA.COM

23

x2



Back View

24

