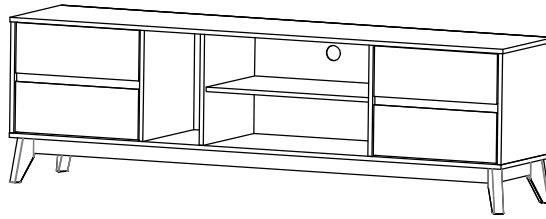


CODING
- 336065



ISO 9001:2015
Reg. No. 000436-1-MY-1-QMS

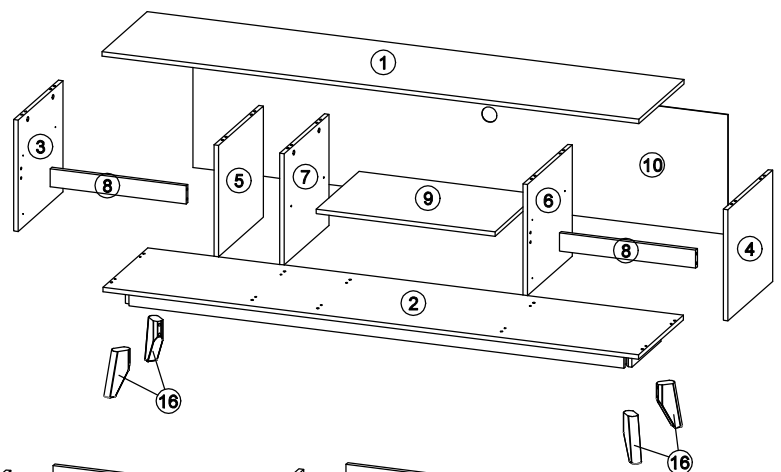
nuhoom.com

Read the instructions carefully. Remove all the wrappings, staples and straps from the carton. Refer to the hardware and furniture part list for guidance. Make sure that you have all the parts before you start assembling. Place all the wooden furniture parts on a clean, flat and soft surface, such as a carpet or rubbermat to prevent scratches.

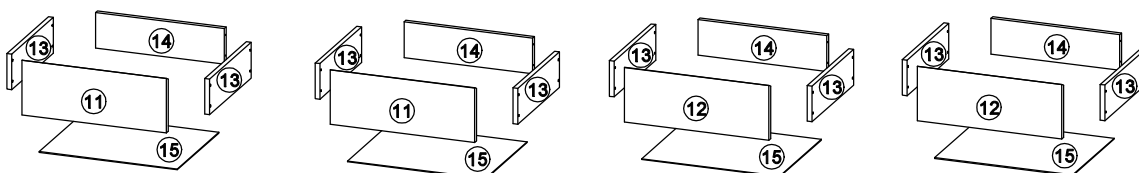
CAUTION
KEEP ALL THE PARTS OUT OF CHILDREN'S REACH.

PART LIST		QTY
1	TOP PANEL	1 PC
2	BOTTOM PANEL	1 PC
3	SIDE PANEL (L)	1 PC
4	SIDE PANEL (R)	1 PC
5	CENTER PANEL (L)	1 PC
6	CENTER PANEL (R)	1 PC
7	CENTER PANEL	1 PC
8	BONE PANEL	2 PCS
9	SHELF PANEL	1 PC
10	BACK PANEL	1 PC
11	DRAWER FRONT (UP)	2 PCS
12	DRAWER FRONT (DOWN)	2 PCS
13	DRAWER SIDE	8 PCS
14	DRAWER BACK	4 PCS
15	DRAWER BOTTOM	4 PCS
16	LEG	4 PCS

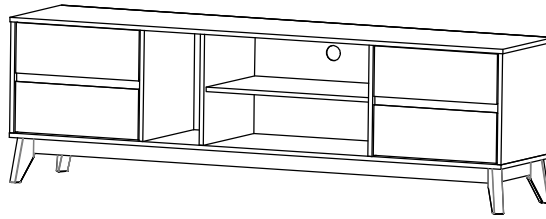
HARDWARE			
A	MINI FIX	A1 A2 A3	10 PCS
B	M8 X 30MM WOOD DOWEL		28 PCS
C	M6 X 50MM CSK CAP WOOD SCREW		10 PCS
D	5/8 NAIL		67 PCS
E	ALLEN KEY M4		1 PC
F	ONE HOLE L BRACKET (2MM)		4 PCS
G	M3.5 X 16MM C.B SCREW		56 PCS
H	M4 X 38MM C.B SCREW		32 PCS
I	METAL SHELF SUPPORT		4 PCS
J	14" DRAWER SLIDE	J1 (L/R) J2 (L/R)	4 SETS
K	JCBC Screw M6 x 70		8 PCS
L	SPRING WASHER M6		8 PCS
M	FLAT WASHER M6		8 PCS
N	TIPPING PACK	N1 N2 N3 N4 N5	2 SETS



SELF-PREPARED TOOLS: Tools below are NOT included in package.	
	SCREWDRIVER
	HAMMER



CODING
- 336065

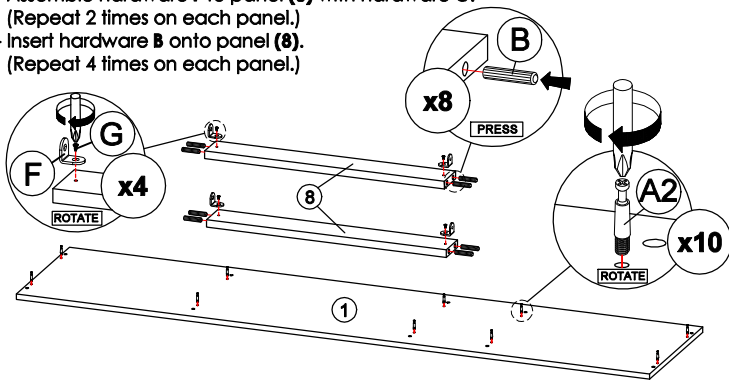


ISO 9001:2015
Reg. No. 000435-1-MY-1-QMS

nuhoom.com

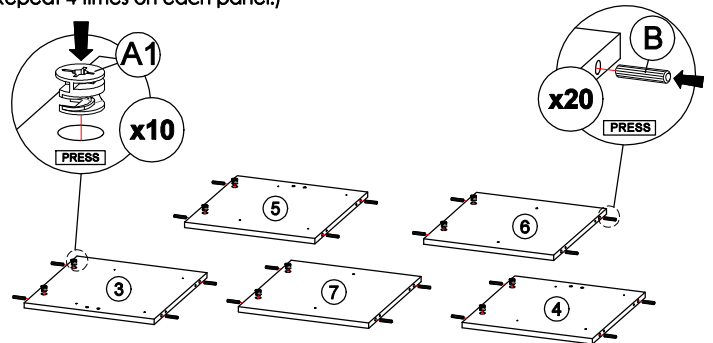
STEP 1

- Insert hardware **A2** onto panel **(1)**.
(Repeat 10 times.)
- Assemble hardware **F** to panel **(8)** with hardware **G**.
(Repeat 2 times on each panel.)
- Insert hardware **B** onto panel **(8)**.
(Repeat 4 times on each panel.)



STEP 2

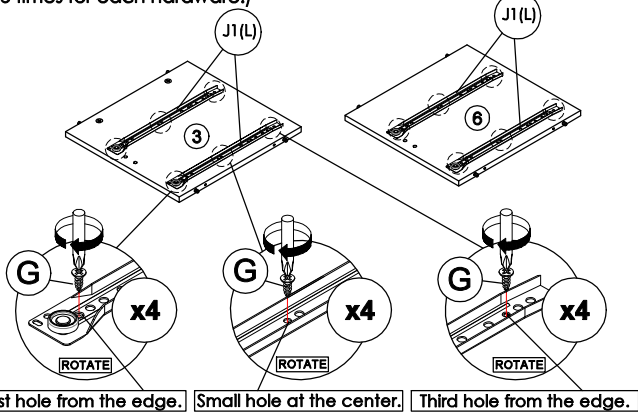
- Insert hardware **A1** onto panel **(3), (4), (5), (6)** and **(7)**.
(Repeat 2 times on each panel.)
- Insert hardware **B** onto panel **(3), (4), (5), (6)** and **(7)**.
(Repeat 4 times on each panel.)



* Ensure the arrows on hardware **A1** point towards mounting positions.

STEP 3

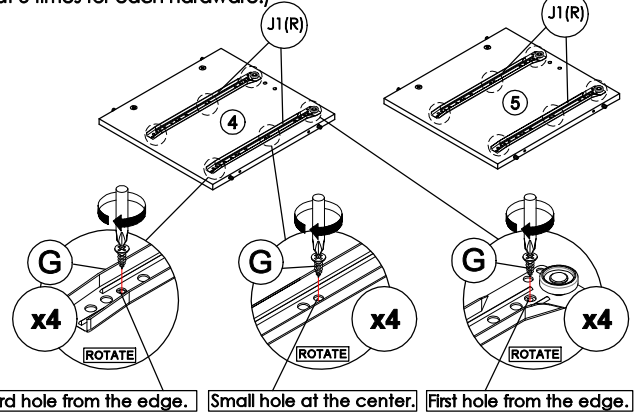
- Fix hardware **J1 (L)** into panel **(3)** and **(6)** with hardware **G**.
(Repeat 3 times for each hardware.)



First hole from the edge. Small hole at the center. Third hole from the edge.

STEP 4

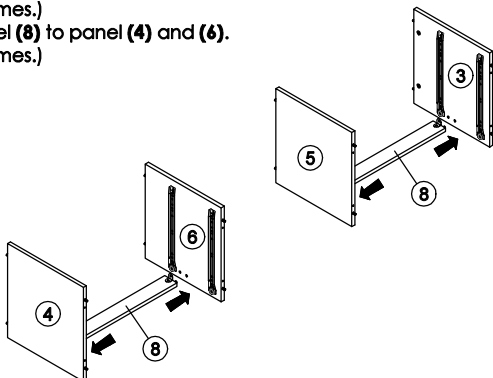
- Fix hardware **J1 (R)** into panel **(4)** and **(5)** with hardware **G**.
(Repeat 3 times for each hardware.)



Third hole from the edge. Small hole at the center. First hole from the edge.

STEP 5

- Attach panel **(8)** to panel **(3)** and **(5)**.
(Repeat 1 times.)
- Attach panel **(8)** to panel **(4)** and **(6)**.
(Repeat 1 times.)



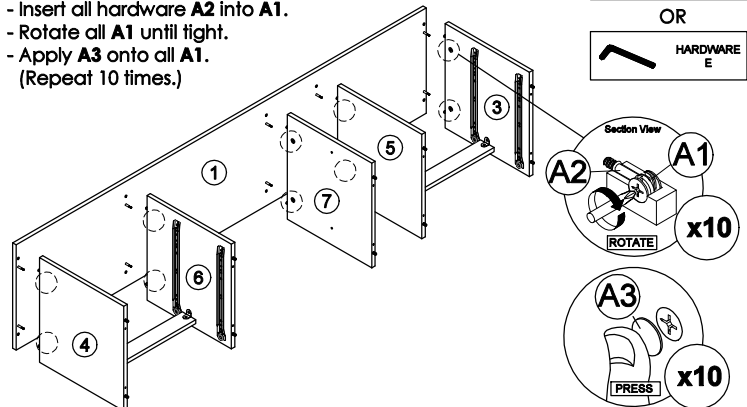
* In this step hardware **B** are pre-inserted.

STEP 6

- Attach panel **(3), (4), (5), (6)** and **(7)** to panel **(1)**.
- Insert all hardware **A2** into **A1**.
- Rotate all **A1** until tight.
- Apply **A3** onto all **A1**.
(Repeat 10 times.)

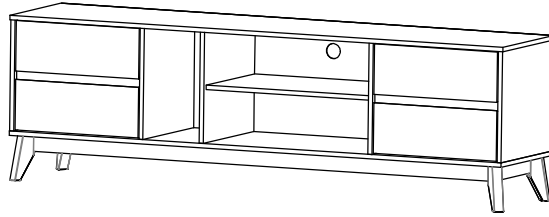


OR



* In this step hardware **A1, A2** and **B** are pre-inserted.

CODING
- 336065

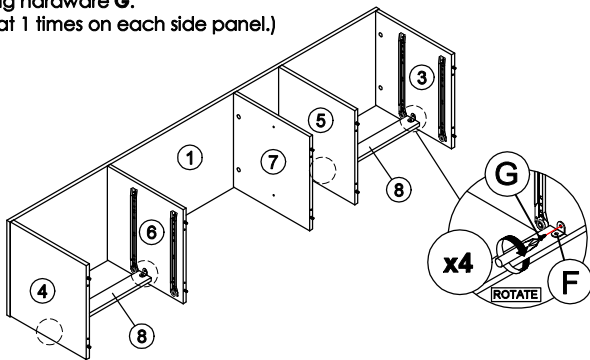


ISO 9001:2015
Reg. No. 000435-1-MY-1-QMS

nuhoom.com

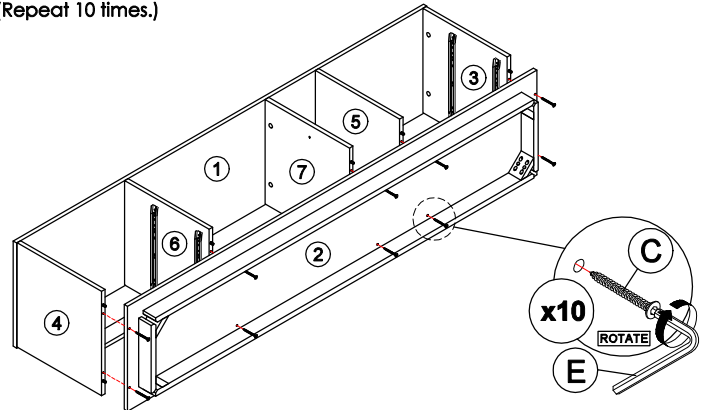
STEP 7

- Assemble hardware F on panel (8) to panel (3) and (5) by using hardware G.
- Assemble hardware F on panel (8) to panel (4) and (6) by using hardware G.
- (Repeat 1 times on each side panel.)



STEP 8

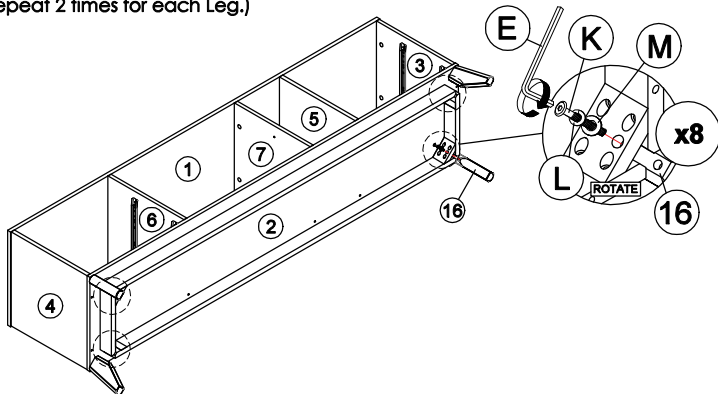
- Connect panel (2) to panel (3), (4), (5), (6) and (7) by using hardware C and E.
- (Repeat 10 times.)



* In this step hardware B are pre-inserted.

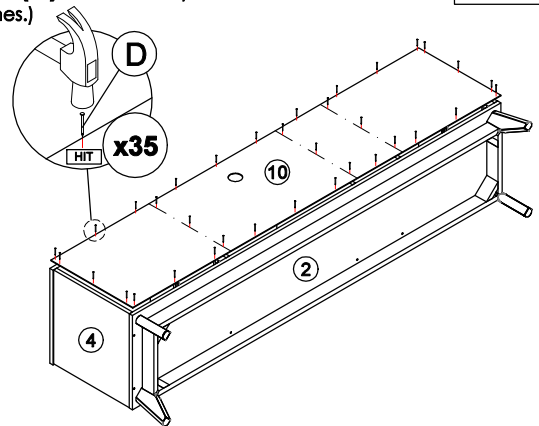
STEP 9

- Assemble part 16 into panel (2) by using hardware E, K, L and M.
- (Repeat 2 times for each Leg.)



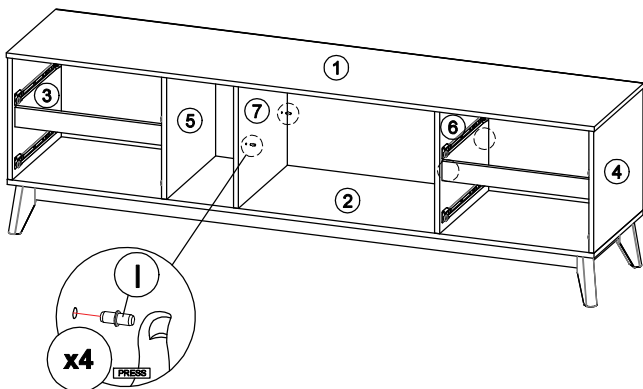
STEP 10

- Assemble panel (10) to entire body with hardware D.
- (Repeat 35 times.)



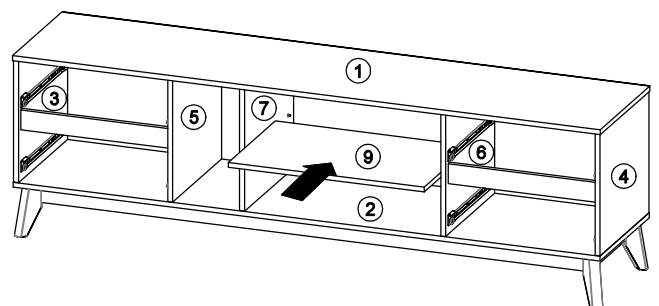
STEP 11

- Insert hardware I into mounting positions on panel (6) and (7) by hand.
- (Repeat 4 times.)



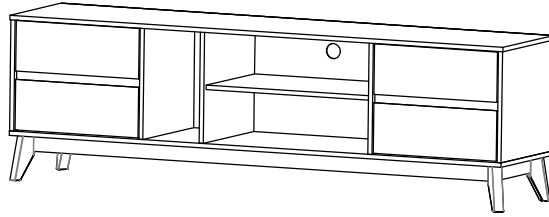
STEP 12

- Assemble the panel (9) into between panel (6) and (7).
- (Repeat 1 times.)



* In this step hardware I are pre-inserted.

CODING
- 336065

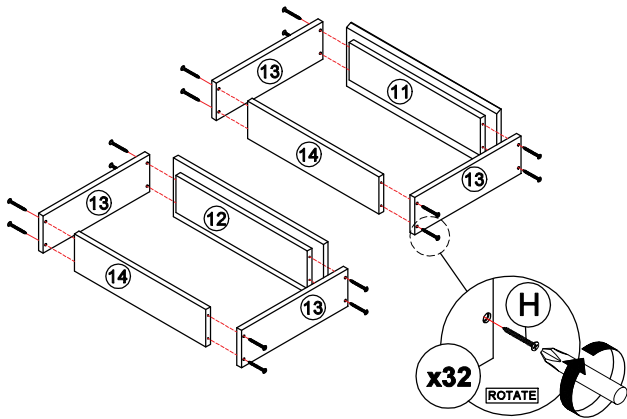


ISO 9001:2015
Reg. No. 000435-1-MY-1-QMS

nuhoom.com

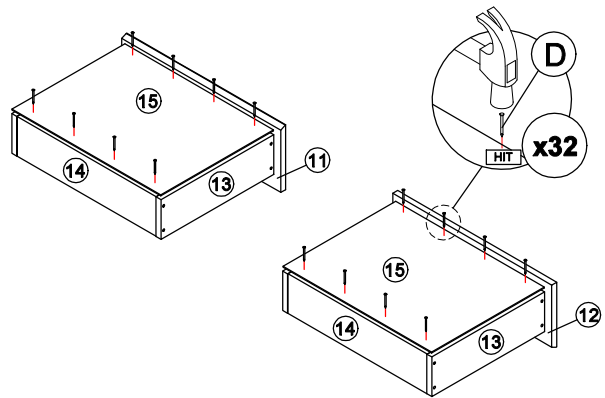
STEP 13

Assemble panel (13) with panel (11) or (12) and (14) by using hardware H.
(Repeat 8 times for each drawer.)
* In this step only show one of the drawers.



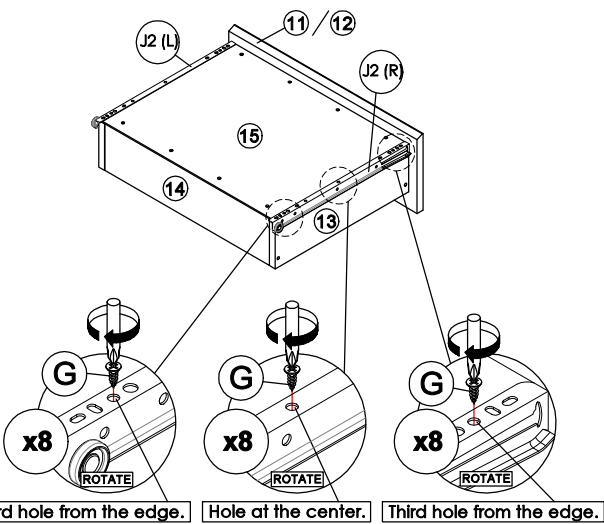
STEP 14

Assemble panel (15) to entire body with hardware D.
(Repeat 8 times for each drawer.)
* In this step only show one of the drawers.



STEP 15

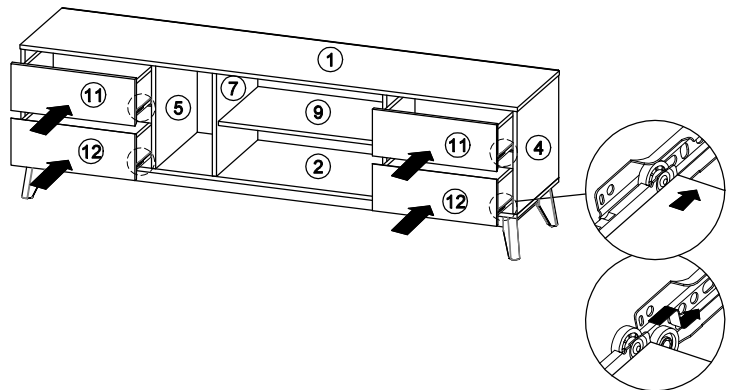
Assemble hardware J2 (L/R) to panel (15) by using hardware G.
(Repeat 3 times for each hardware.)
* In this step only show one of the drawers.



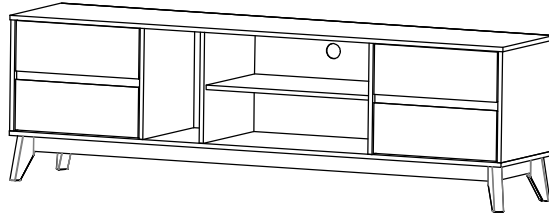
*Hardware J2 (L/R) shall be leaning against panel (11) or (12) when assembling.

STEP 16

Put all the drawer in place along the drawer slides.



CODING
- 336065

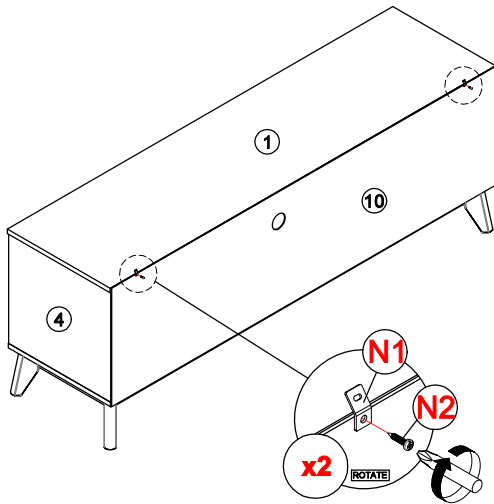


ISO 9001:2015
Reg. No. 000435-1-MY-1-QMS

nuhoom.com

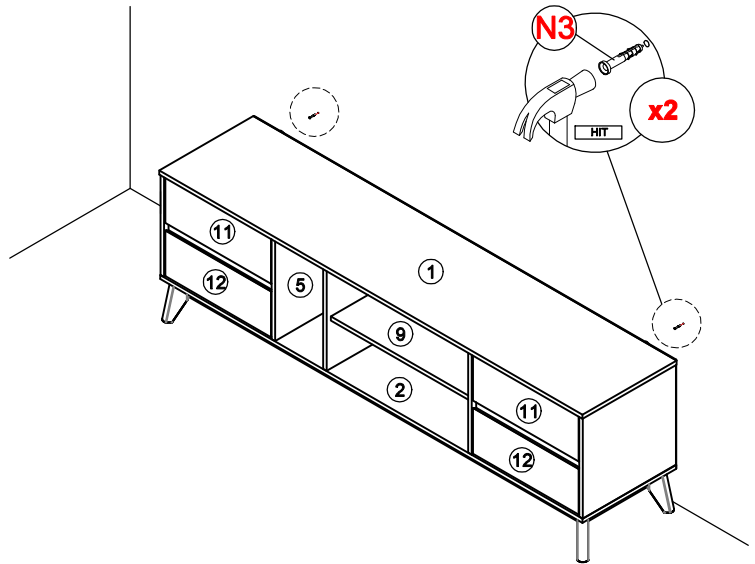
STEP 17

Assemble hardware **N1** into panel **(1)** and **(10)** by using hardware **N2**.
(Repeat **2** times.)



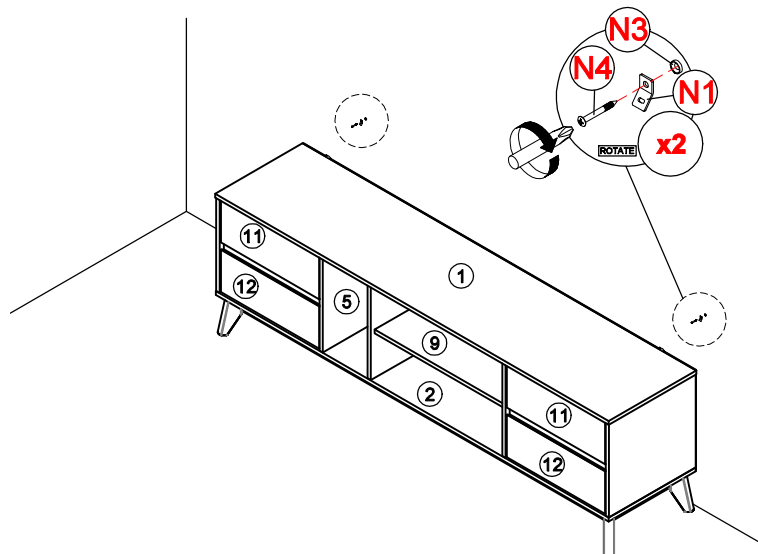
STEP 18

- Mark and use the power drill to drill a hole on the wall.
- Hit hardware **N3** into the wall.
(Repeat **2** times.)



STEP 19

Assemble hardware **N1** to **N3** by using hardware **N4**.
(Repeat **2** times.)



STEP 20

- Connect both of the hardware **N1** by using hardware **N5**.
- Tighten the hardware **N5**.
(Repeat **2** times.)

