

CODING
- 335008



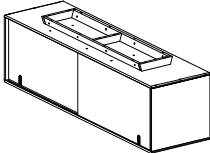
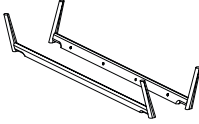
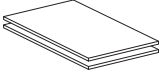
ISO 9001:2015
Reg. No. 000435-1-MY-1-QMS

nestnordic.com

Read the instruction carefully. Remove all the wrapping material, staples and straps from the carton. Refer to the hardware and furniture part list for guidance. Be sure that you have all the parts before you start assembling. Place all the wooden furniture part on a clean and flat soft surface, such as carpet or rubbermat to prevent from scratches.

CAUTION
KEEP ALL THE PARTS OUT OF REACH OF CHILDREN.

ITEM	PHOTO	HAREWARE NAME	QTY
(A)		BOLT M8x35	8
(B)		WASHER Ø8/Ø12	8
(C)		WASHER Ø8/Ø16	8
(D)		PEGS	8
(E)		KEY K4	1

ITEM	PHOTO	PARTS NAME	QTY
(1)		CABINET	1
(2)		LEG	2
(3)		SHELVES	2

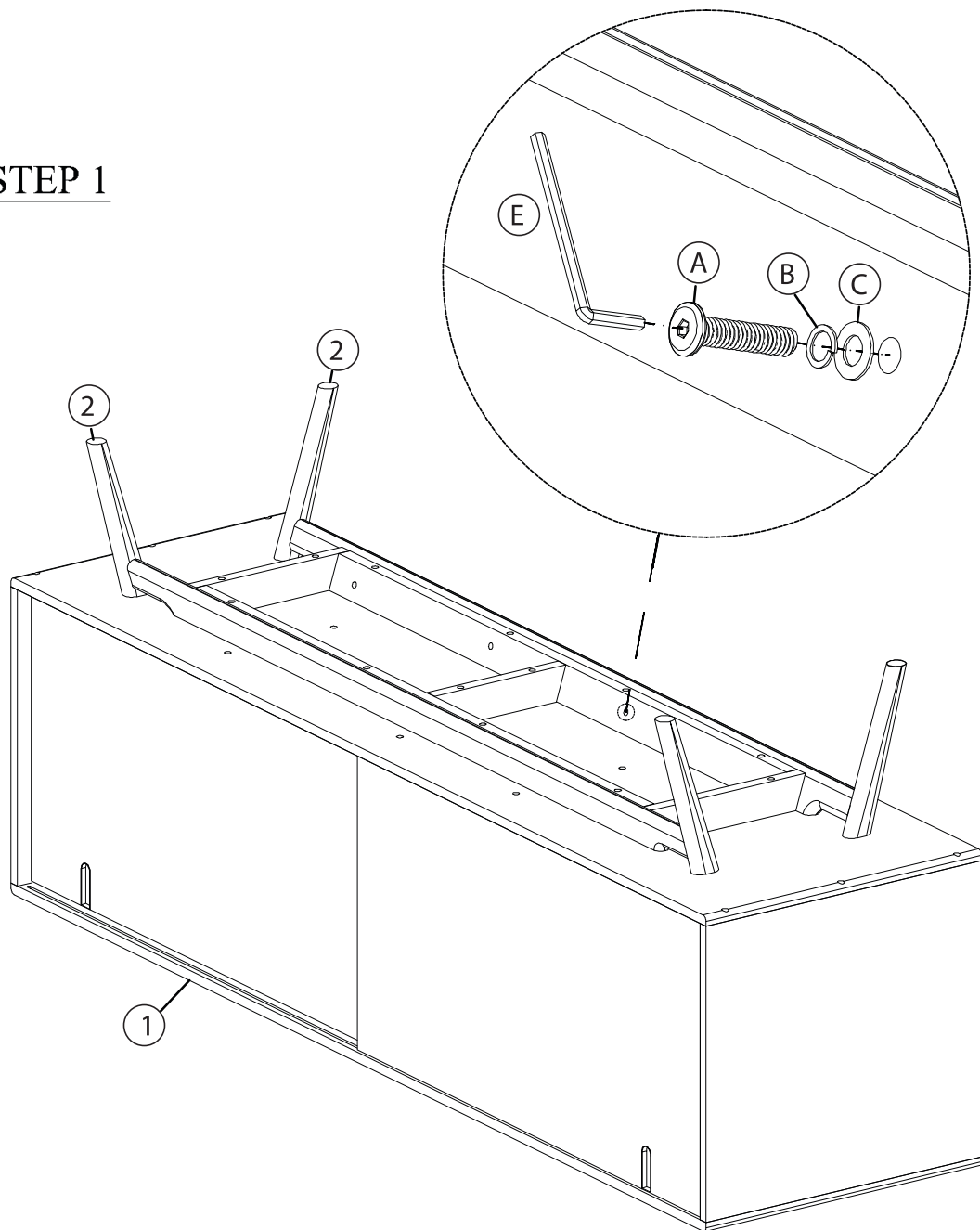
CODING
- 335008



ISO 9001:2015
Reg. No. 000435-1-MY-1-QMS

nestnordic.com

STEP 1



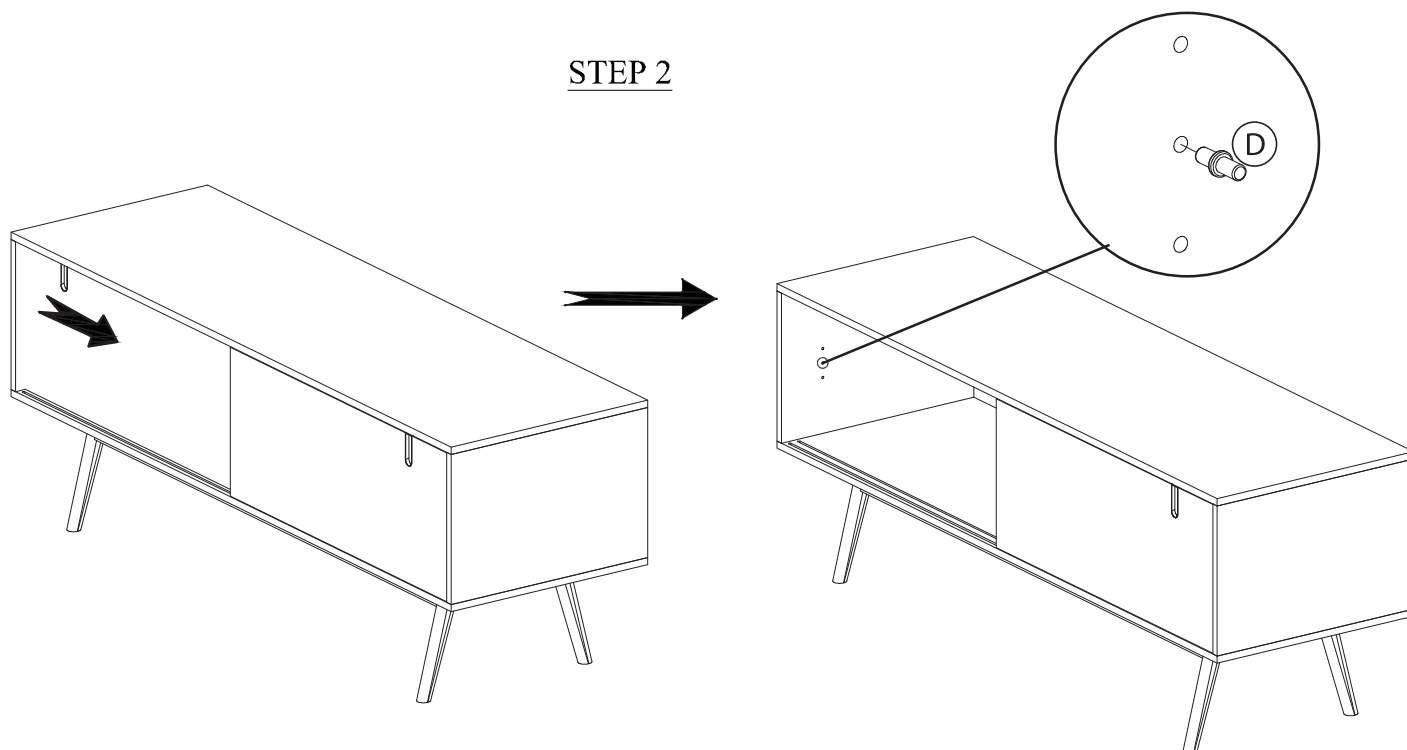
CODING
- 335008



ISO 9001:2015
Reg. No. 000435-1-MY-1-QMS

nestnordic.com

STEP 2



STEP 3

