

CODING

- 333003
- 333004



ISO 9001:2015
Reg. No. 000435-1-MY-1-QMS

nesthouz.com

Read the instructions carefully. Remove all the wrappings, staples and straps from the carton. Refer to the hardware and furniture part list for guidance. Make sure that you have all the parts before you start assembling. Place all the wooden furniture parts on a clean, flat and soft surface, such as a carpet or rubbermat to prevent scratches.

CAUTION

KEEP ALL THE PARTS OUT OF CHILDREN'S REACH.

ITEM	PHOTO	HAREWARE NAME	QTY
(A)		MINIFIX	18
(B)		CAM 15/12	18
(C)		DOWEL Ø8 X 30MM	26
(D)		UNITAR SCREW 6.3 X 50MM	6
(E)		UNDER MOUNT DRAWER SLIDE	2 SET
(F)		CSK SCREW 4.7 X 38	8

ITEM	PHOTO	HAREWARE NAME	QTY
(G)		CSK SCREW M3.5 X 15MM	16
(H)		BACKPLY STOPPER	8
(I)		CSK SCREW 3.1 X 20	8
(J)		SOLIDWOOD LEG	4
(K)		SOLIDWOOD CENTRE LEG	1
(L)		M4 ALLEN KEY	1

CODING

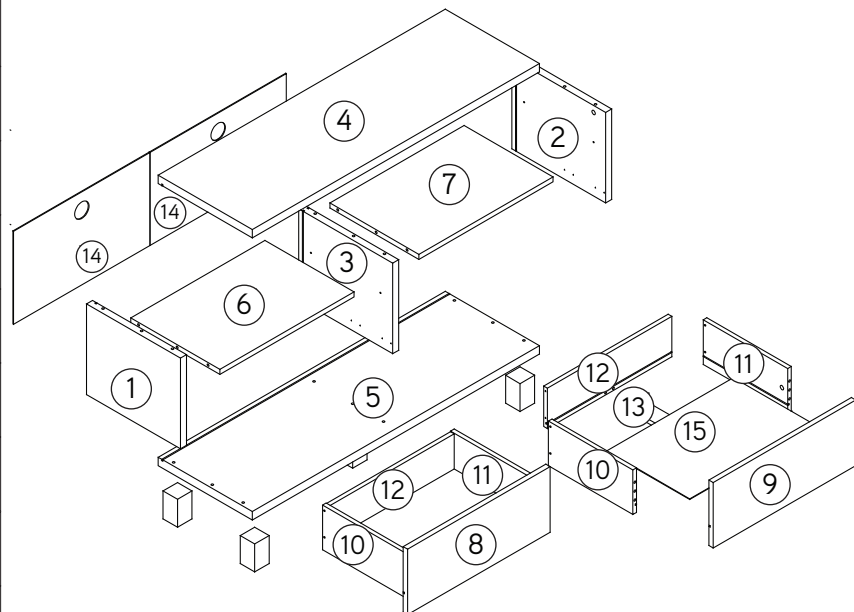
- 333003
- 333004



ISO 9001:2015
Reg. No. 000435-1-MY-1-QMS

nesthouz.com

ITEM	PARTS NAME	QTY
①	Side Panel	1
②	Side Panel	1
③	Centre Panel	1
④	Top Panel	1
⑤	Bottom Panel	1
⑥	Fix Panel	1
⑦	Fix Panel	1
⑧	Drawer Fornt Panel	1
⑨	Drawer Fornt Panel	1
⑩	Drawer Side Panel	2
⑪	Drawer Side Panel	2
⑫	Drawer Back Panel	2
⑬	Drawer Support Panel	2
⑭	Back Centre Panel	2
⑮	Drawer Bottom Panel	2

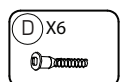
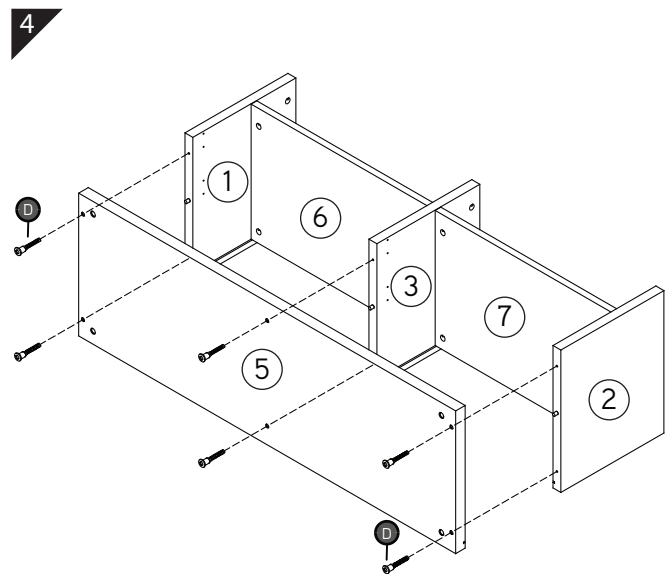
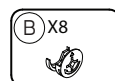
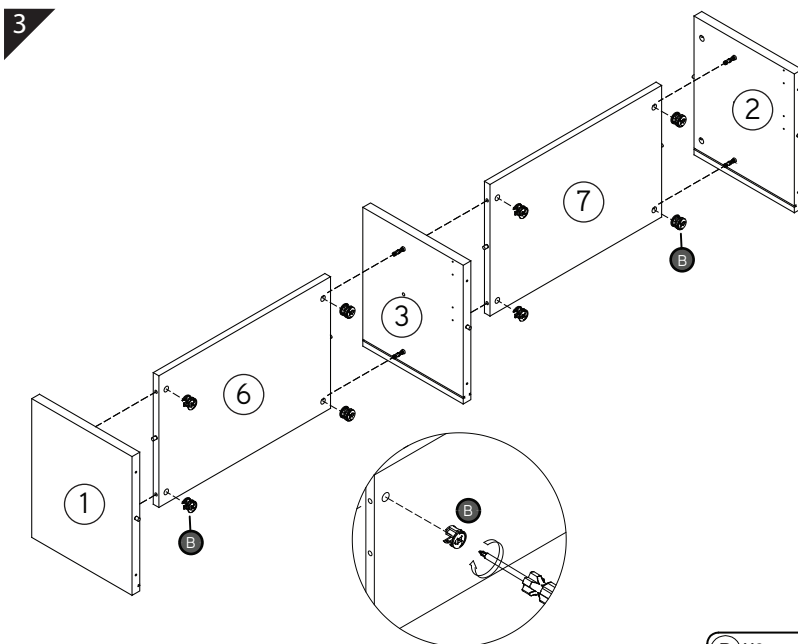
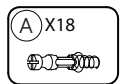
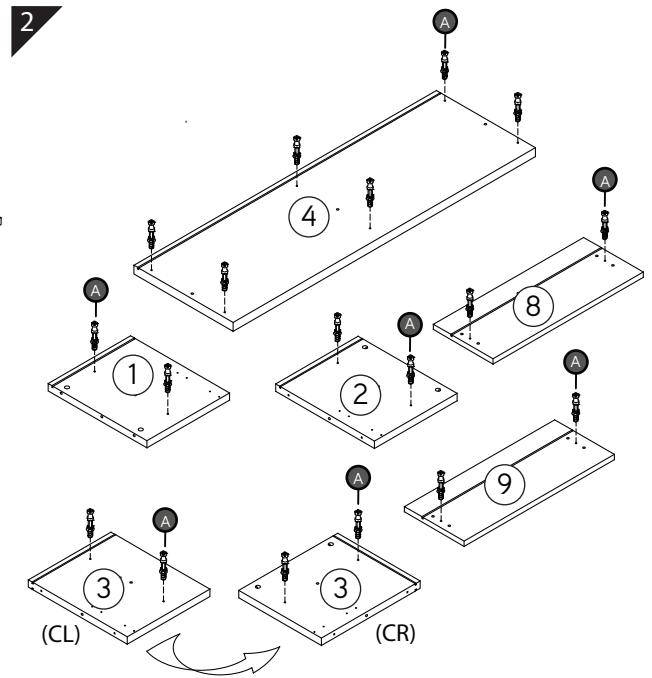
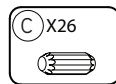
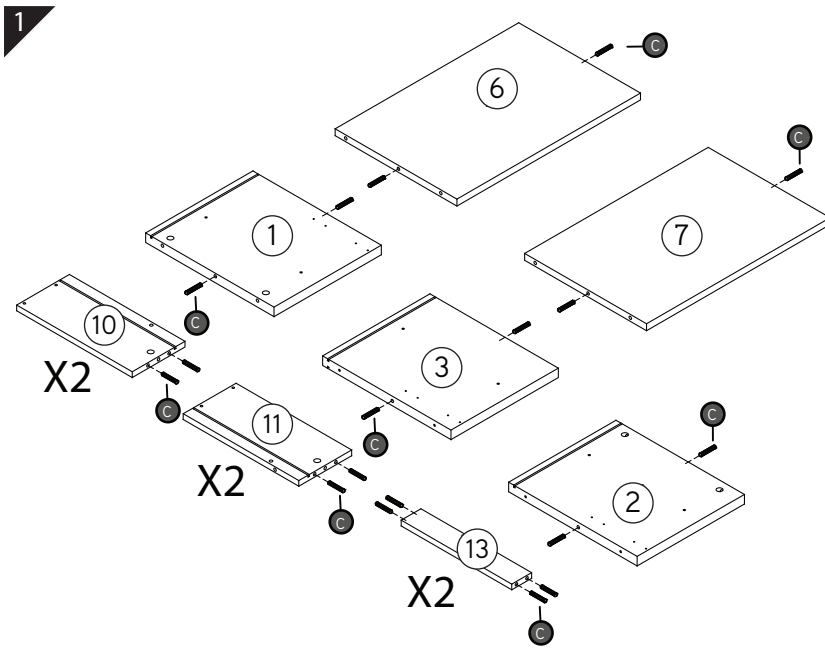


CODING
 - 333003
 - 333004



ISO 9001:2015
 Reg. No. 000435-1-MY-1-QMS

nesthouz.com



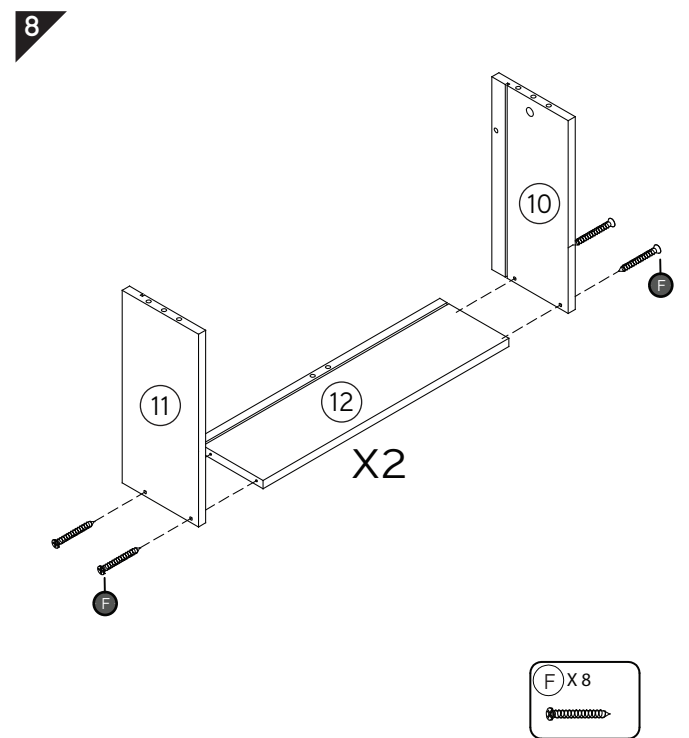
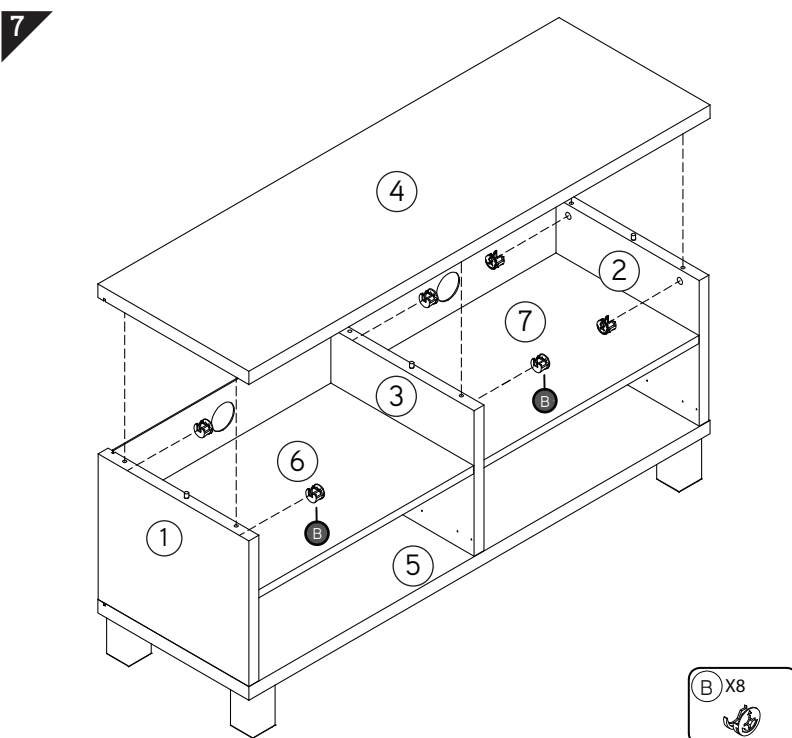
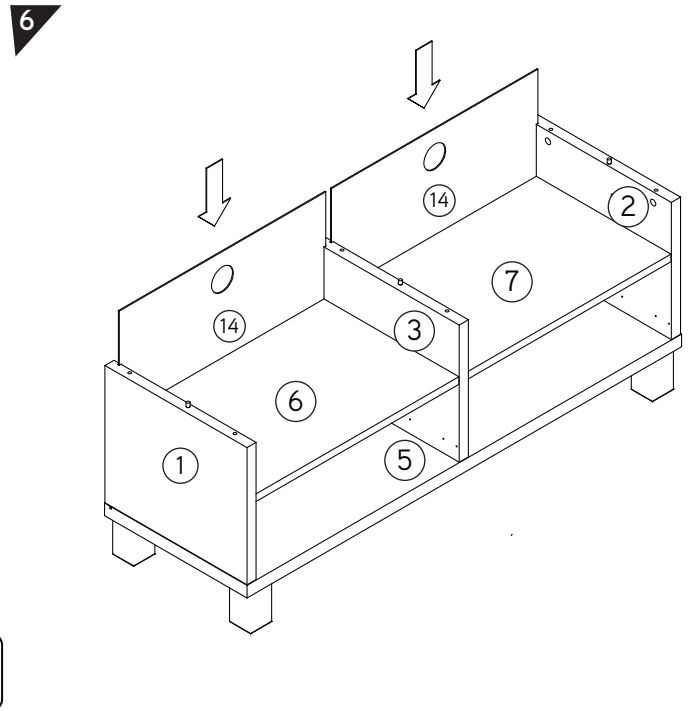
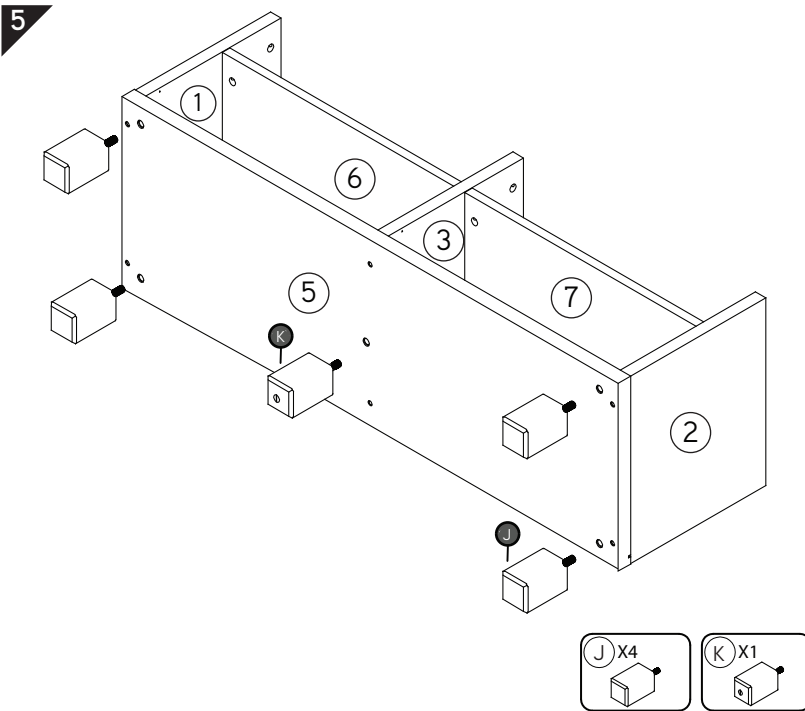
CODING

- 333003
- 333004



ISO 9001:2015
Reg. No. 000435-1-MY-1-QMS

nesthouz.com



CODING

- 333003
- 333004



ISO 9001:2015
Reg. No. 000435-1-MY-1-QMS

nesthouz.com

