

CODING
-3319001














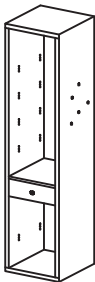
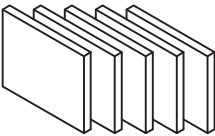
ISO 9001:2015
Reg. No. 000435-1-MY-1-QMS

nesthouz.com

Read the instruction carefully. Remove all the wrapping material. Staples and straps from the carton. Refer to the hardware and furniture part list for guidance. Be sure that you have all the parts before you start assembling. Place all the wooden furniture part on a clean and flat soft surface, such as carpet or rubbermat to prevent from scratches

CAUTION
KEEP ALL THE PARTS OUT REACH OF CHILDREN

ITEM	HARDWARE LIST	QTY	SPARE QTY
①	PAN HEAD WOOD SCREW M4 X 32mm 	6	
②	PLASTIC WALL PLUG 	6	
③	TRIANGLE METAL 	2	
④	PLATE METAL 	1	
⑤	LEG METAL 	1	
⑥	JCBC SCREW 15MM 	1	
⑦	FLAT WASHER 	1	
⑧	METEL SUPPORT 	1	
⑨	ALLEN KEY (M4 BALL SHAPE)LONG 	1	
⑩	WOOD KNOB 	5	
⑪	SHELF SUPPORT 	20	

ITEM	PART LIST	SPARE QTY
Ⓐ	CABINET 	1
Ⓑ	SHELVES 	5

CODING
-3319001



ISO 9001:2015
Reg. No. 000435-1-MY-1-QMS

nesthouz.com

