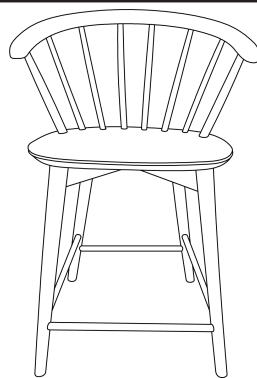


CODING

- 248017
- 248018



ISO 9001:2015
Reg. No. 000435-1-MY-1-QMS

nesthouz.com

Read the instructions carefully. Remove all the wrappings, staples and straps from the carton. Refer to the hardware and furniture part list for guidance. Make sure that you have all the parts before you start assembling. Place all the wooden furniture parts on a clean, flat and soft surface, such as a carpet or rubbermat to prevent scratches.

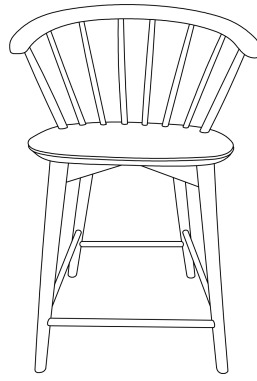
CAUTION

KEEP ALL THE PARTS OUT OF CHILDREN'S REACH.

ITEM	PHOTO	HAREWARE NAME	QTY
(A)		Allen Key M4 X 60mm	1
(B)		JCBC Bolt M6 X 60mm	4
(C)		CSK Screw M4 X 32mm	16
(D)		Spring Washer M6 X 13mm	4
(E)		Flat Washer M6 X 13mm	4
(F)		CSK Screw M4 X 38mm	6
(G)		Paste pad 20mm	4

ITEM	PHOTO	PARTS NAME	QTY
(1)		Chair Backrest	1
(2)		Chair Leg (L)	1
(3)		Chair Leg (R)	1
(4)		Front Stretcher	1
(5)		Side Stretcher	2
(6)		Corner Block	4
(7)		Back Stretcher	1

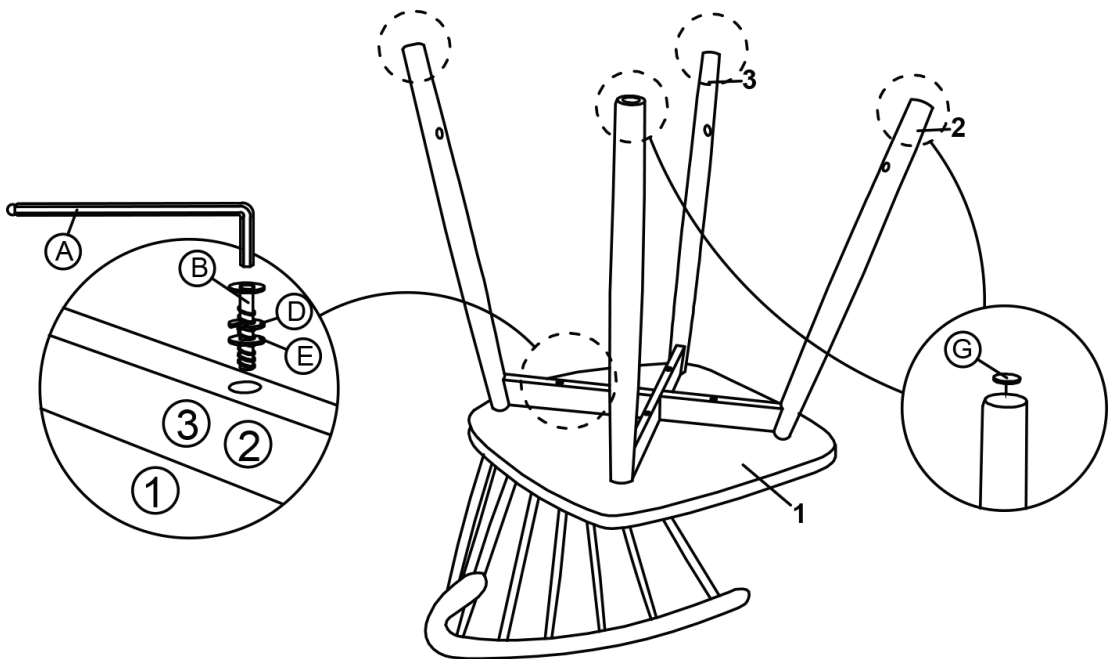
CODING
- 248017
- 248018



ISO 9001:2015
Reg. No. 000435-1-MY-1-QMS

nesthouz.com

1



2

