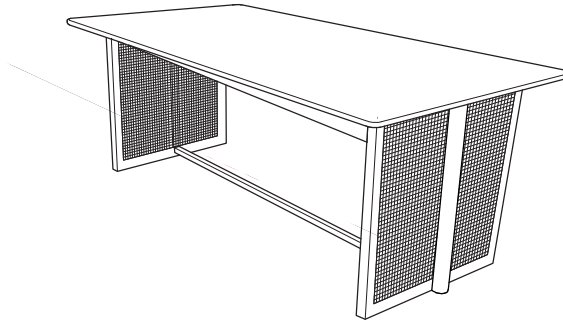


CODING

245020



ISO 9001:2015
Reg. No. 09945-1-027-1-QMS

nesthouz.com

Read the instructions carefully. Remove all the wrappings, staples and straps from the carton. Refer to the hardware and furniture part list for guidance. Make sure that you have all the parts before you start assembling. Place all the wooden furniture parts on a clean, flat and soft surface, such as a carpet or rubbermat to prevent scratches.

CAUTION

KEEP ALL THE PARTS OUT OF CHILDREN'S REACH.

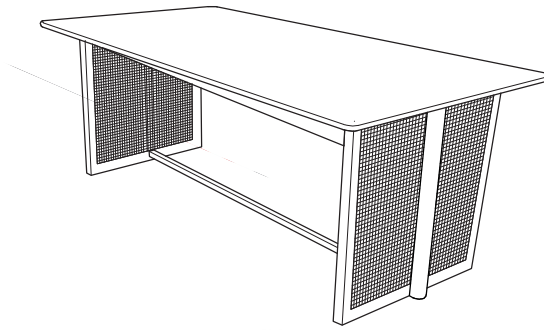
ITEM	PHOTO	HARDWARE NAME	QTY
(A)		JCBB M8 x 50mm	10
(B)		JCBC M6 x 80mm	2
(C)		M8 Spring Washer	12
(D)		CSK M4 x 32mm	12
(E)		Allen Key M4	1

ITEM	PHOTO	PARTS NAME	QTY
(1)		Bench Top	1
(2)		Apron	2
(3)		Bench Leg	2
(4)		Bench Leg Support	2
(5)		Center Support	1

KINTO

CODING

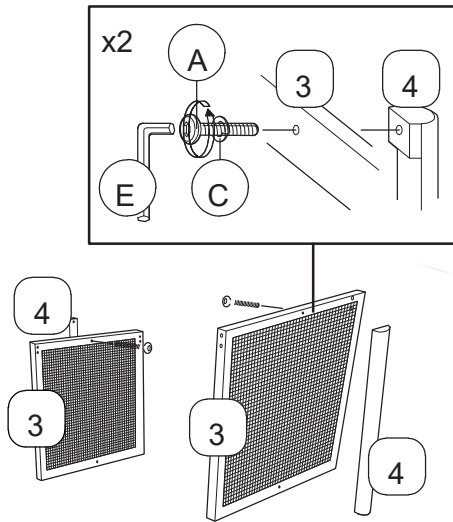
245020



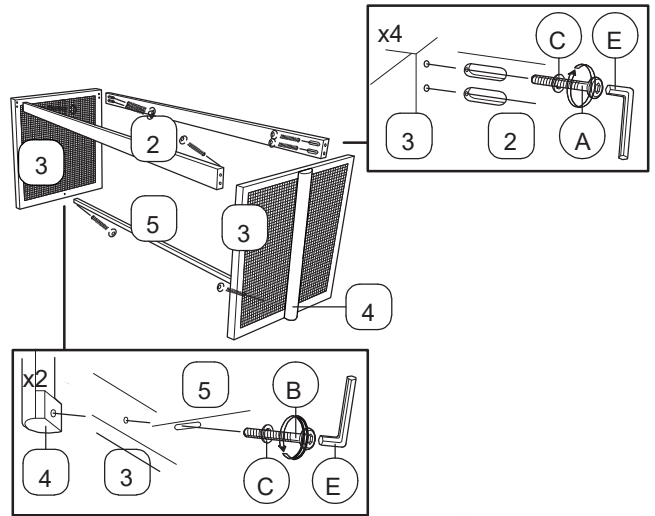
ISO 9001:2015
Reg. No. 00005-1-MY-1-QMS

nesthouz.com

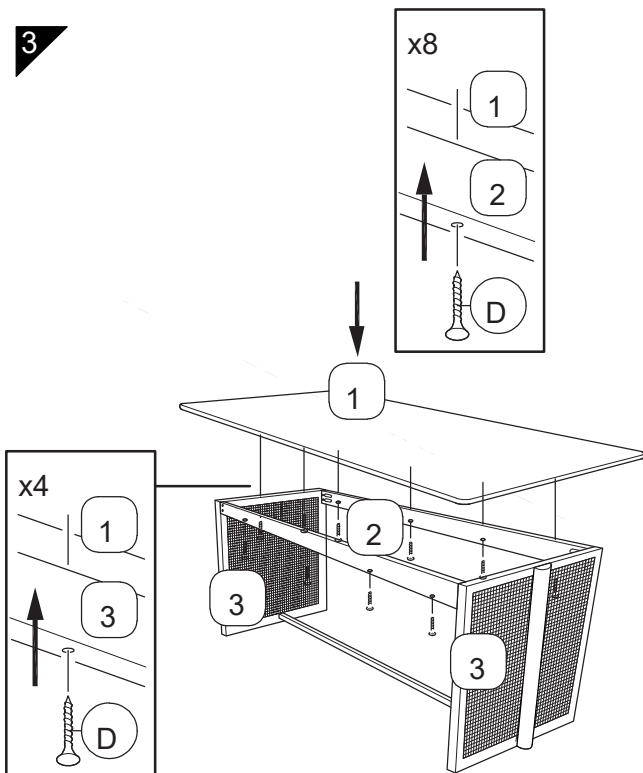
1



2



3



4

