

CODING
-241577
-241611



ISO 9001:2015
Reg. No. 000435-1-MY-1-QMS

nesthouz.com

Read the instruction carefully. Remove all the wrapping material, staples and straps from the carton. Refer to the hardware and furniture part list for guidance. Be sure that you have all the parts before you start assembling. Place all the wooden furniture part on a clean and flat soft surface, such as carpet or rubbermat to prevent from scratches.

CAUTION

KEEP ALL THE PARTS OUT OF REACH OF CHILDREN.

ITEM	PHOTO	HARDWARE NAME	QTY
(A)		JCBC BOLT M6 X 45MM (RB)	6 (+ 1 extra)
(B)		JCBC BOLT M6 X 30MM (RB)	4 (+ 1 extra)
(C)		SPRING WASHER 5/16" (RB)	10 (+ 2 extra)
(D)		SCREW PIN 15 x15MM	4 (+ 1 extra)
(E)		FLAT WASHER 6x13 (RB)	4 (+ 1 extra)
(F)		WOOD DOWEL M8 x 35MM	4 (+ 1 extra)
(G)		L BRACKET 2MM (RB)	4 (+ 1 extra)
(H)		CSK SCREW 3.5 x 12MM (RB)	8 (+ 2 extra)
(I)		ALLEN KEY (BALL SHAPE)	1
(J)		WOOD BUTTON (BIG)	4 (+ 1 extra)

ITEM	PHOTO	PART NAME	QTY
(1)		BACK REST	1
(2)		CHAIR LEG (L&R)	2
(3)		STRETCHER (B&F)	2
(4)		CHAIR SEAT	1

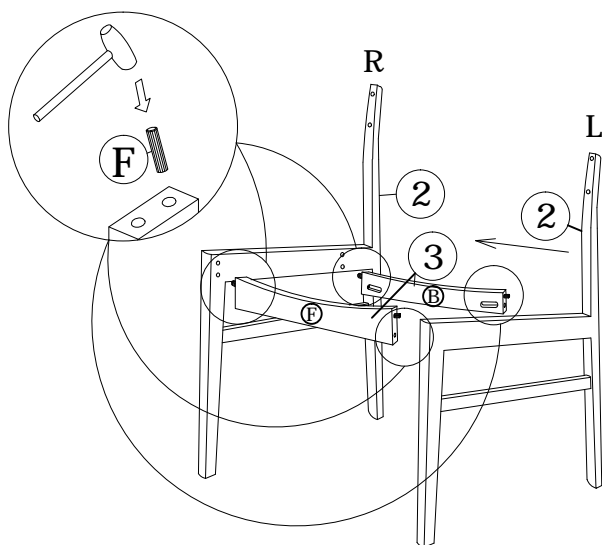
CODING
-241577
-241611



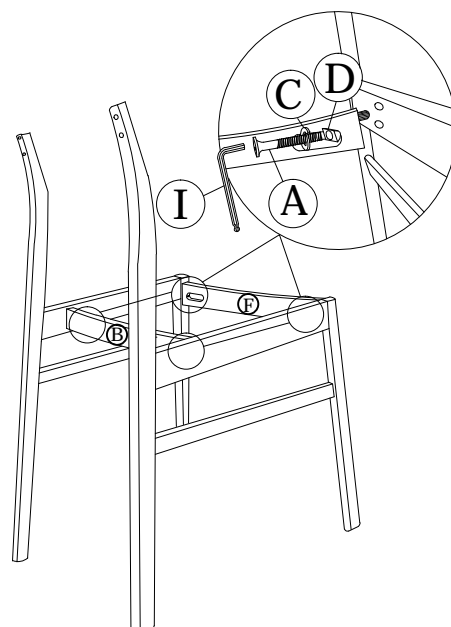
ISO 9001:2015
Reg. No. 000435-1-MY-1-QMS

nesthouz.com

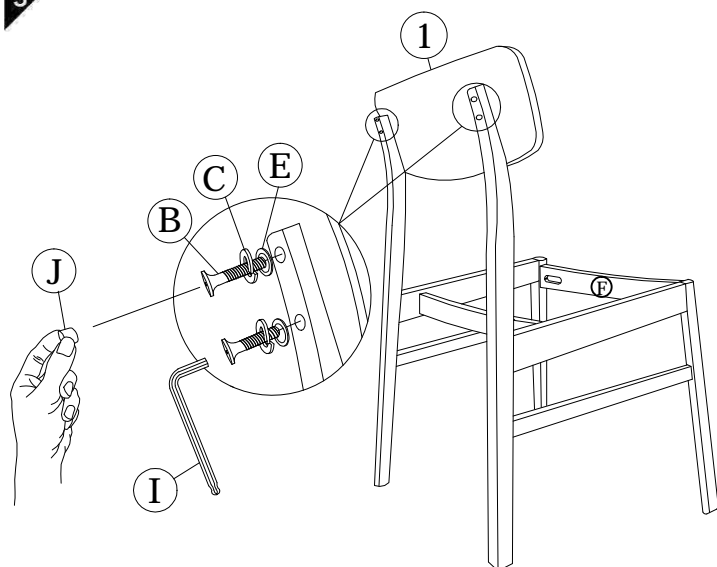
1



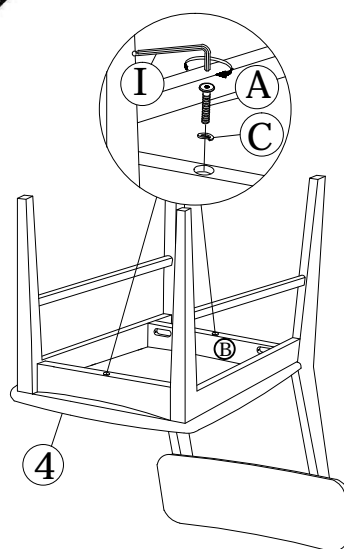
2



3



4



CODING
-241577
-241611



ISO 9001:2015
Reg. No. 000435-1-MY-1-QMS

nesthouz.com

5

