

CODING

- 241038
- 241037
- 241356
- 241330









ISO 9001:2015
Reg. No. 000435-1-MY-1-QMS

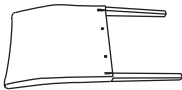
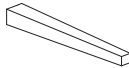
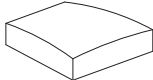
nesthouz.com

Read the instructions carefully. Remove all the wrappings, staples and straps from the carton. Refer to the hardware and furniture part list for guidance. Make sure that you have all the parts before you start assembling. Place all the wooden furniture parts on a clean, flat and soft surface, such as a carpet or rubbermat to prevent scratches.

CAUTION

KEEP ALL THE PARTS OUT OF CHILDREN'S REACH.

ITEM	PHOTO	HAREWARE NAME	QTY
(A)		JCBC M6 x 45 mm(Rainbow)	2
(B)		JCBC M6 x 60 mm(Rainbow)	4
(C)		JCBC M6 x 80 mm(Rainbow)	4
(D)		SPRING WASHER	10
(E)		FLAT WASHER	10
(F)		M4 ALLEN KEY (BALL SHAPE) LONG	1

ITEM	PHOTO	PARTS NAME	QTY
(1)		BACK REST	1
(2)		FRONT LEG (L&R)	2
(3)		SEAT FRAME	1

CODING

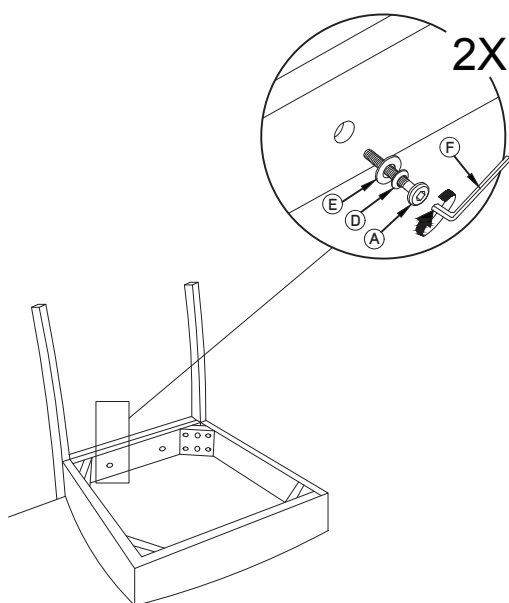
- 241038
- 241037
- 241356
- 241330



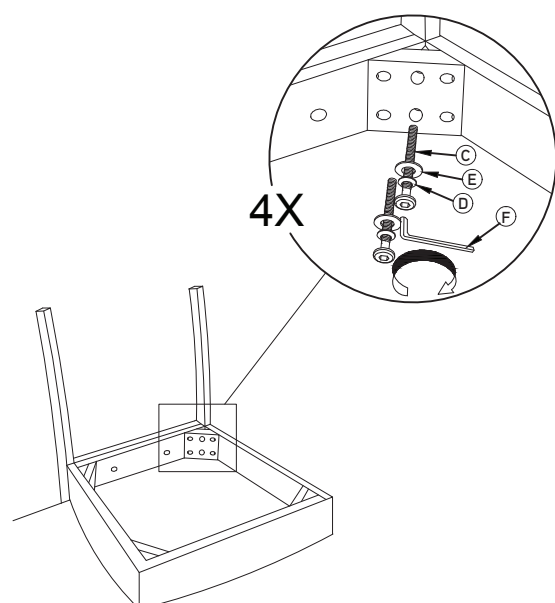
ISO 9001:2015
Reg. No. 000435-1-MY-1-QMS

nesthouz.com

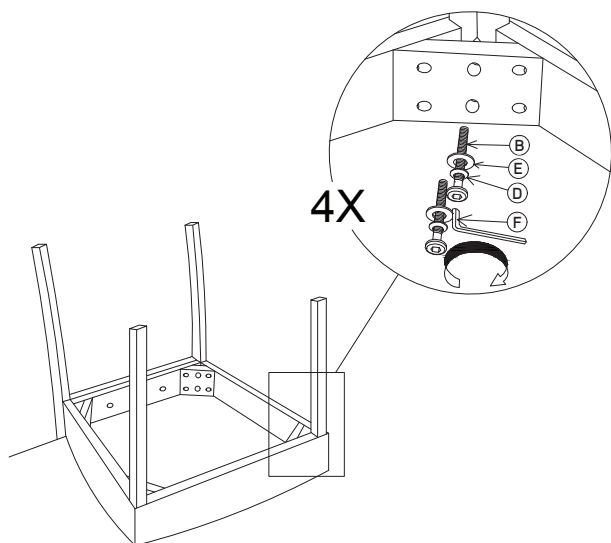
1



2



3



4

