

CODING  
- 241455



ISO 9001:2015  
Reg. No. 000435-1-MY-1-QMS

fyndfurniture.com

Read the instructions carefully. Remove all the wrappings, staples and straps from the carton. Refer to the hardware and furniture part list for guidance. Make sure that you have all the parts before you start assembling. Place all the wooden furniture parts on a clean, flat and soft surface, such as a carpet or rubbermat to prevent scratches.

**CAUTION**  
KEEP ALL THE PARTS OUT OF CHILDREN'S REACH.

HARDWARE (x2)

ITEM	PHOTO	HARDWARE NAME	QTY
(A)		Csk Screw 3/16" x 1 4/16"	6
(B)		Csk Screw 3/16" x 1 6/16"	6
(C)		JCBC Bolt 4/16" x 1 6/16"	1
(D)		JCBC Bolt 4/16" x 2 3/8"	2
(E)		JCBC Bolt 4/16" x 2 3/4"	4
(F)		Spring Washer 1/4"	7
(G)		Flat Washer 1/4" x 6/8"	7
(H)		Allen Key with Ball 4/16" x 4 5/16"	1
(I)		I-Key With Ball 4/16" x 5 1/8"	1

PART LIST (x2)

ITEM	PHOTO	PARTS NAME	QTY
(1)		Back Rest	1
(2)		Front Leg Right	1
(3)		Front Leg Left	1
(4)		Sretcher Left	1
(5)		Sretcher Right	1
(6)		Middle Stretcher	1
(7)		Box Seat	1
(8)		Seat Panel	1

# LEYTON

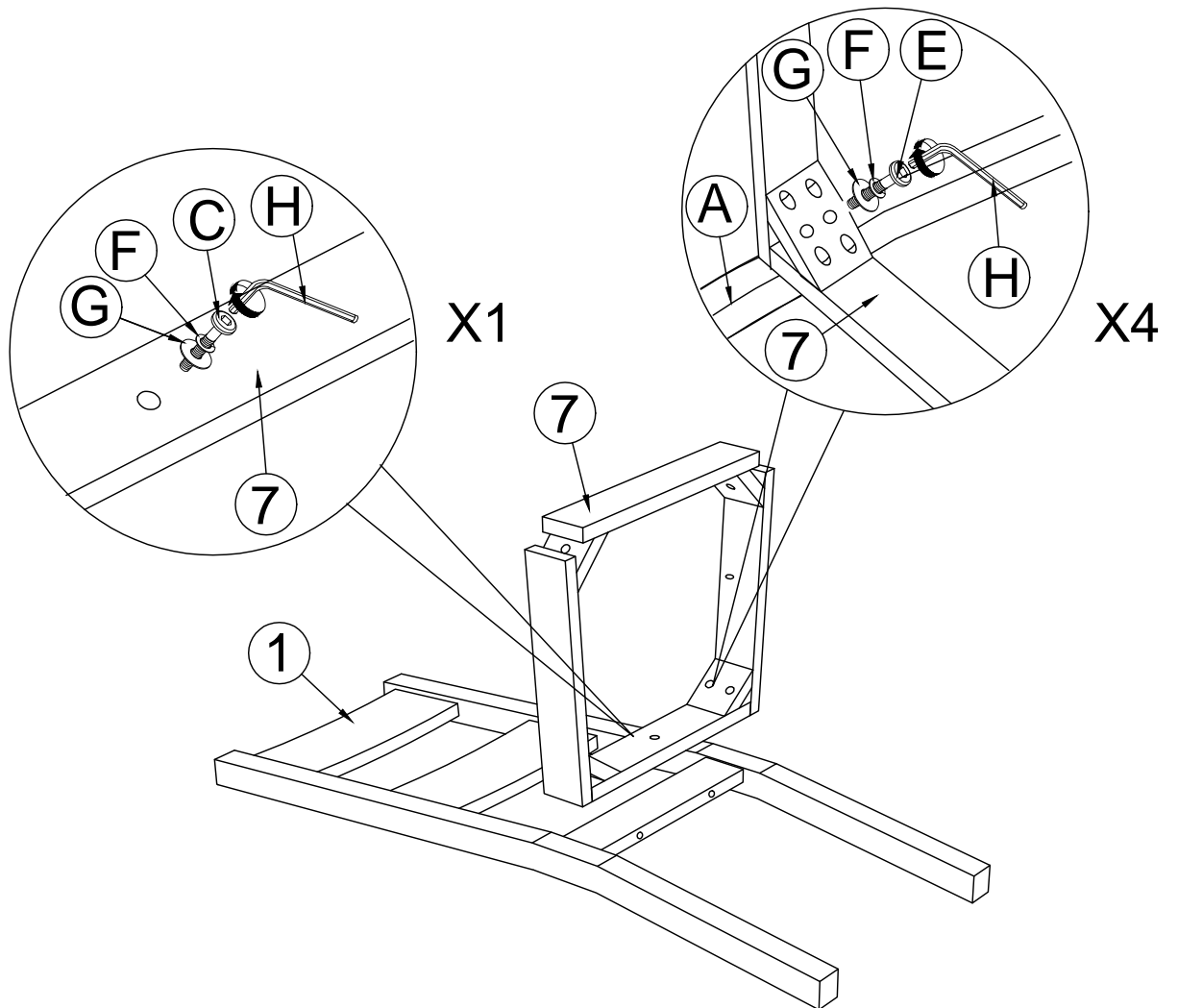
CODING  
- 241455



ISO 9001:2015  
Reg. No. 000435-1-MY-1-QMS

fyndfurniture.com

1



# MADELINE

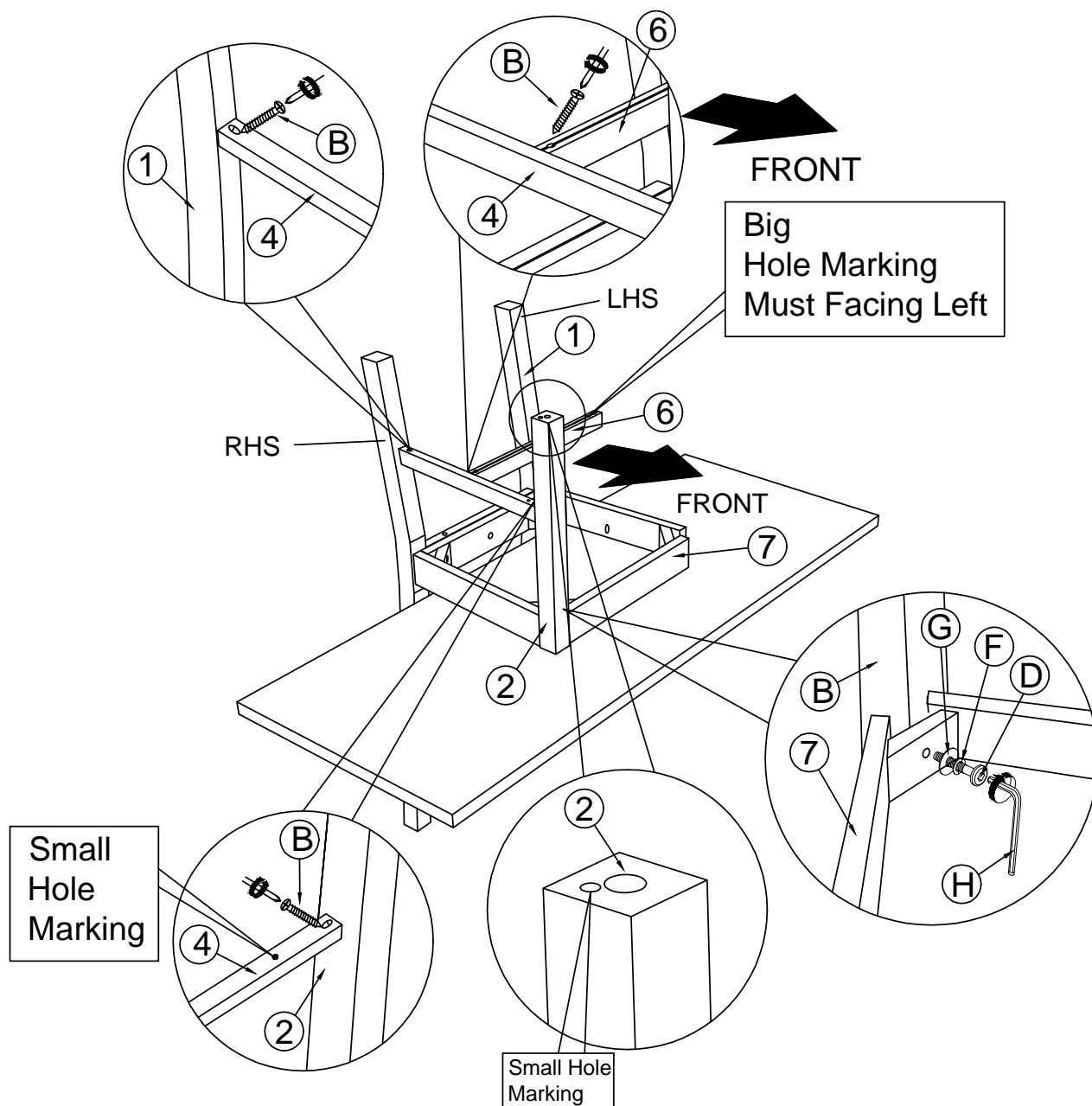
CODING  
- 241455



ISO 9001:2015  
Reg. No. 000435-1-MY-1-QMS

fyndfurniture.com

2



# MADELINE

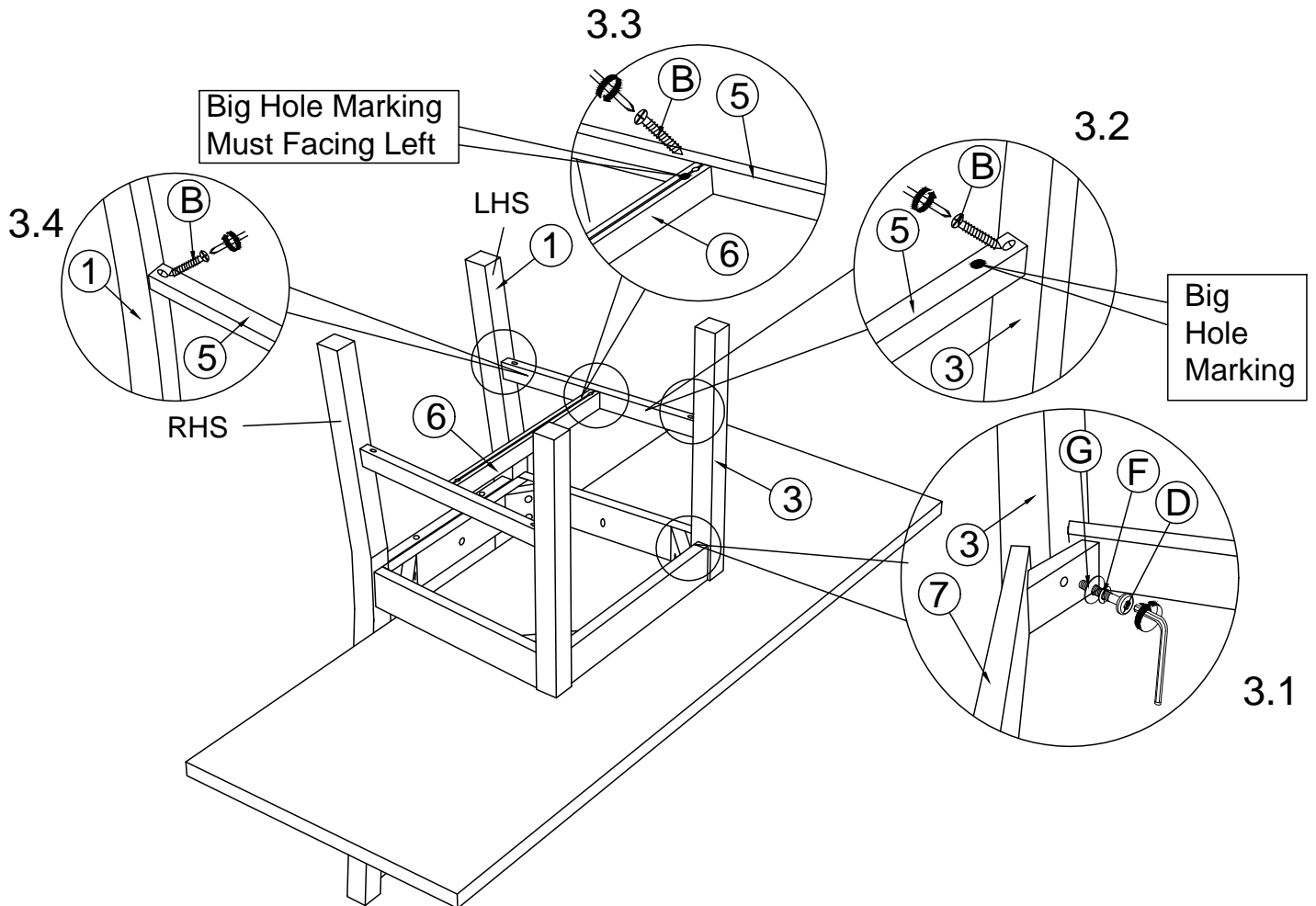
CODING  
- 241455



ISO 9001:2015  
Reg. No. 000435-1-MY-1-QMS

fyndfurniture.com

3



# MADELINE

CODING  
- 241455



ISO 9001:2015  
Reg. No. 000435-1-MY-1-QMS

fyndfurniture.com

4

