

## CODING

- 241348 - 241345
- 241337 - 241332
- 241309 - 241279
- 241194 - 241302
- 241195 - 241353
- 241196 - 241357
- 241336 - 241300
- 241253 - 241344



ISO 9001:2015  
Reg. No. 000435-1-MY-1-QMS

nuhoom.com

Read the instructions carefully. Remove all the wrappings, staples and straps from the carton. Refer to the hardware and furniture part list for guidance. Make sure that you have all the parts before you start assembling. Place all the wooden furniture parts on a clean, flat and soft surface, such as a carpet or rubbermat to prevent scratches.

## CAUTION

KEEP ALL THE PARTS OUT OF CHILDREN'S REACH.

ITEM	PHOTO	HARDWARE NAME	QTY
(A)		JCBC SCREW M6 X 45MM	1
(B)		JCBC SCREW M6 X 60MM	4
(C)		JCBC SCREW M6 X 80MM	4
(D)		FLAT WASHER 1/4	9
(E)		SPRING WASHER 1/4	9
(F)		ALLEN KEY M4	1

ITEM	PHOTO	PART NAME	QTY
(1)		CHAIR BACK FRAME	1
(2)		CHAIR SEAT	1
(3)		FRONT LEG	2

## CODING

- 241348 - 241345
- 241337 - 241332
- 241309 - 241279
- 241194 - 241302
- 241195 - 241353
- 241196 - 241357
- 241336 - 241300
- 241253 - 241344

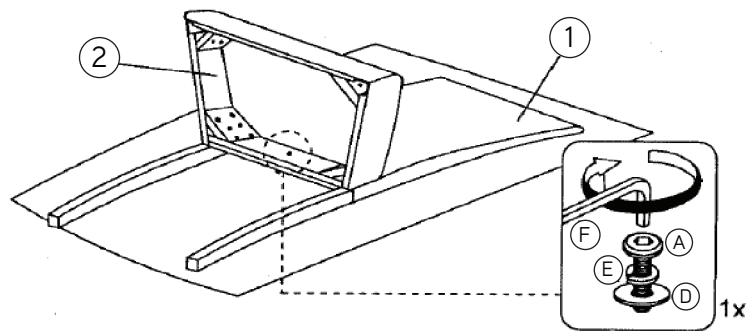


ISO 9001:2015  
Reg. No. 000435-1-MY-1-QMS

nuhoom.com

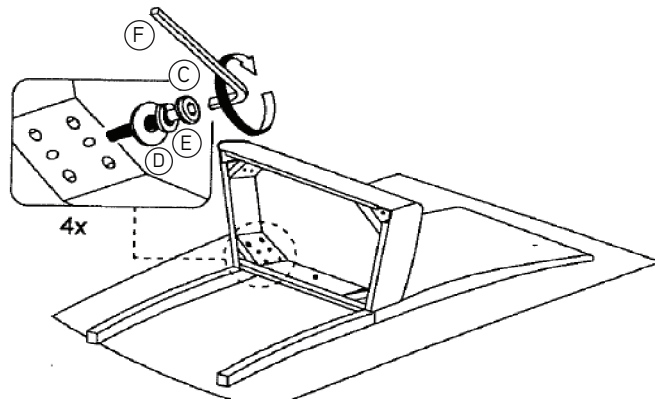
1

Attach Cushion Seat (2) to chair back (1). Do not tighten the JCBC screw (A) until step 3.



2

Do not tighten the JCBC screw (C) until step 3.



3

Insert front leg (3) to Cushion seat (2) with JCBC screw (B). Afterward give the chair stand, and make sure is stable the all tighten all the screw.

