

CODING
- 241372





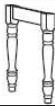

ISO 9001:2015
Reg. No. 000435-1-2017-1-QMS

nuhoom.com

Read the instructions carefully. Remove all the wrappings, staples and straps from the carton. Refer to the hardware and furniture part list for guidance. Make sure that you have all the parts before you start assembling. Place all the wooden furniture parts on a clean, flat and soft surface, such as a carpet or rubbermat to prevent scratches.

CAUTION
KEEP ALL THE PARTS OUT OF CHILDREN'S REACH.

NO	PHOTO	HARDWARE LIST	QTY
A		JCBC Screw M6 x 40mm	12
B		M6 Spring Washer	12
C		CSK Screw M4 x 32mm	6
D		Wood Dowel M8 x 30mm	8
E		M4 Allen Key	1

ITEM	PHOTO	PART LIST	QTY
1		Backrest	2
2		Side Rail	4
3		Front Panel	2
4		Wooden Slat / Cushion	2

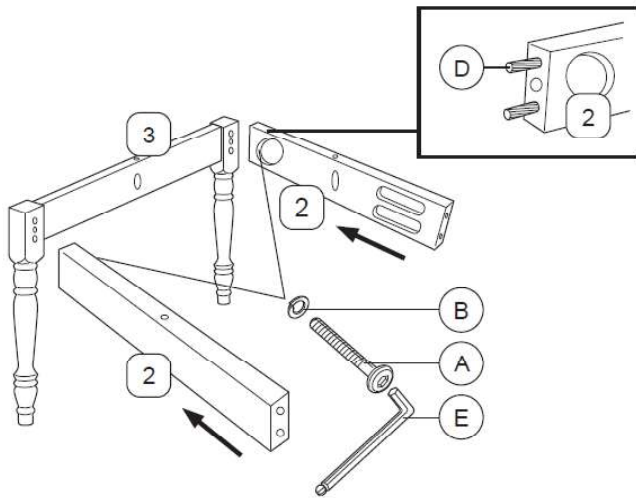
CODING
- 241372



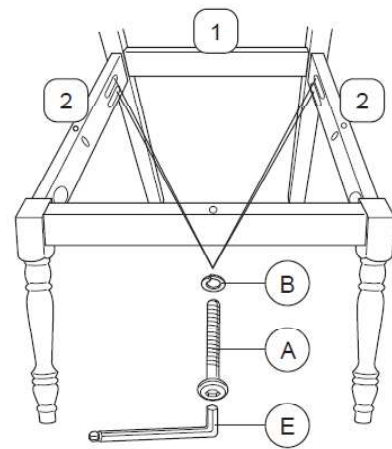
ISO 9001:2015
Reg. No. 000435-1-REV-1-QMS

nuhoom.com

1



2



3

