

**CODING**  
- 241371









ISO 9001:2015  
Reg. No. 000435-1-2017-1-QMS

**nuhoom.com**

Read the instructions carefully. Remove all the wrappings, staples and straps from the carton. Refer to the hardware and furniture part list for guidance. Make sure that you have all the parts before you start assembling. Place all the wooden furniture parts on a clean, flat and soft surface, such as a carpet or rubbermat to prevent scratches.

**CAUTION**  
**KEEP ALL THE PARTS OUT OF CHILDREN'S REACH.**

NO	PHOTO	HARDWARE LIST	QTY
A		JCBC Screw M6 x 40mm	20
B		M6 Spring Washer	20
C		CSK Screw M4 x 32mm	10
D		Wood Dowel M8 x 30mm	8
E		M4 Allen Key	1

ITEM	PHOTO	PART LIST	QTY
1		Backrest	2
2		Side Rail	4
3		Front Panel	2
4		Wooden Slat / Cushion	2
5		Handrail	4
6		Handrail Support	4

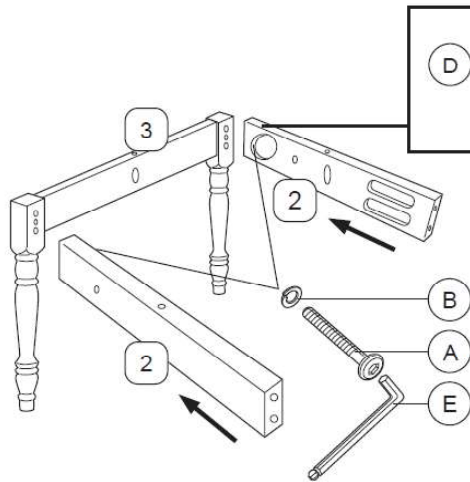
CODING  
- 241371



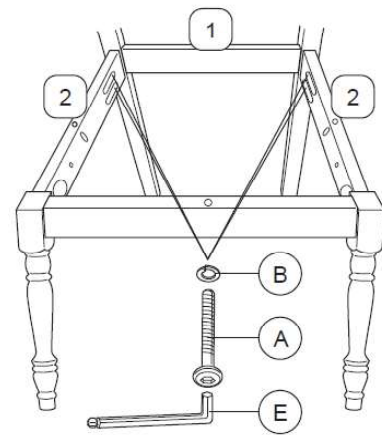
ISO 9001:2015  
Reg. No. 000435-1-REV-1-QMS

nuhoom.com

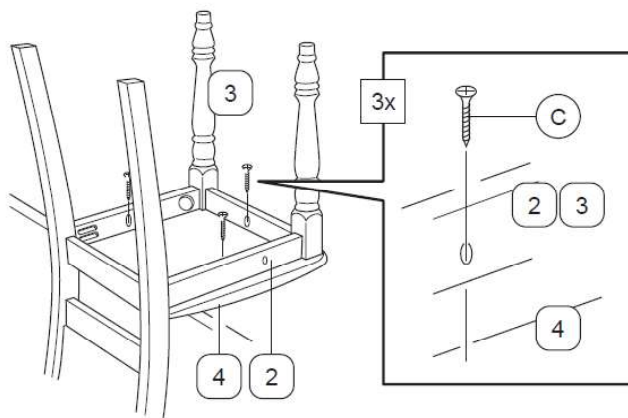
1



2



3



4

