

CODING

- 241247
- 241342
- 241346
- 241341



ISO 9001:2015
Reg. No. 000435-1-MY-1-QMS

nuhoom.com

Read the instructions carefully. Remove all the wrappings, staples and straps from the carton. Refer to the hardware and furniture part list for guidance. Make sure that you have all the parts before you start assembling. Place all the wooden furniture parts on a clean, flat and soft surface, such as a carpet or rubbermat to prevent scratches.

CAUTION

KEEP ALL THE PARTS OUT OF CHILDREN'S REACH.

ITEM	PHOTO	HARDWARE NAME	QTY	SPARE QTY
A		JCBC SCREW M6 x 50MM	6	
B		JCBC SCREW M6 x 80MM	4	
C		SPRING WASHER 1/4"	10	
D		FLAT WASHER 1/4"	10	
E		M4 ALLEN KEY (BALL SHAPE) LONG	1	

ITEM	PHOTO	PARTS NAME	SPARE QTY
①		BACK REST	1
②		CUSHION SEAT	1
③		FRONT LEG	2

CODING

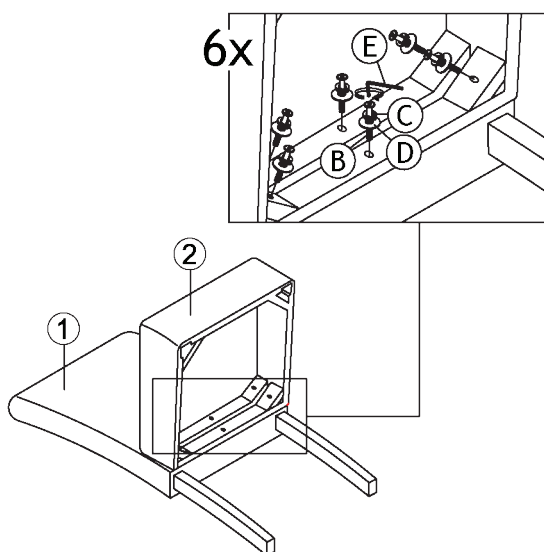
- 241247
- 241342
- 241346
- 241341



ISO 9001:2015
Reg. No. 000435-1-MY-1-QMS

nuhoom.com

1



2

