

CODING

241327
241428
241534
241561



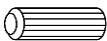


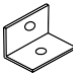








ISO 9001:2015
Reg. No. 000435-1-MY-1-QMS

nesthouz.com

Read the instruction carefully. Remove all the wrapping material, staples and straps from the carton. Refer to the hardware and furniture part list for guidance. Be sure that you have all parts before you start assembling. Place all the wooden furniture part on a clean and flat surface, such as carpet or rubbermat to prevent scratches.

Caution
KEEP ALL PARTS OUT OF REACH OF CHILDREN.

ITEM	HARDWARE LIST (FOR 2 CHAIRS)	QTY
E	M6 X 50MM JCBC BOLT 	12 PCS
F	1/4 SPRING WASHER 	12 PCS
G	10 X 40MM WOOD DOWEL 	16 PCS
H	M8 X 32MM WOOD SCREW 	8 PCS
I	M4 ALLEN KEY 	1 PC
J	"L" BRACKET 	4 PCS
K	M3 X 12MM WOOD SCREW 	8 PCS

ITEM	PART LIST (FOR 2 CHAIRS)	SPARE QTY
AL	LEFT FRAME 	2 PCS
AR	RIGHT FRAME 	2 PCS
B	FRONT & BACK RAIL 	4 PCS
C	CAP RAIL 	2 PCS
D	CUSHION 	2 PCS

CODING

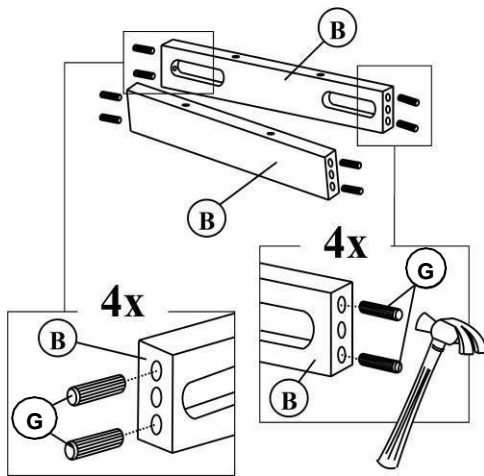
241327
241428
241534
241561



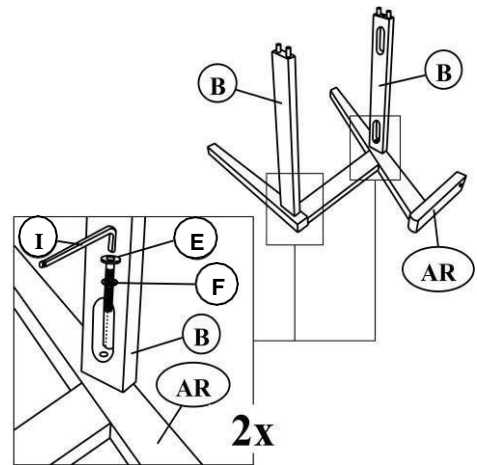
ISO 9001:2015
Reg. No. 000435-1-MY-1-QMS

nesthouz.com

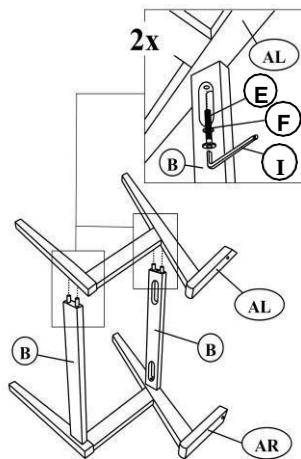
Step 1



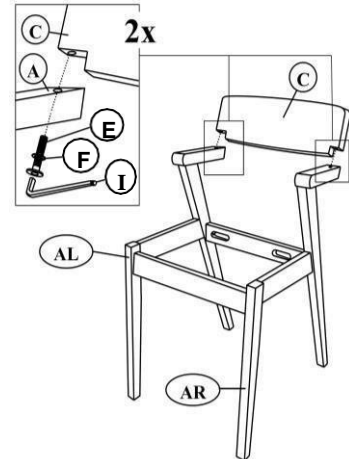
Step 2



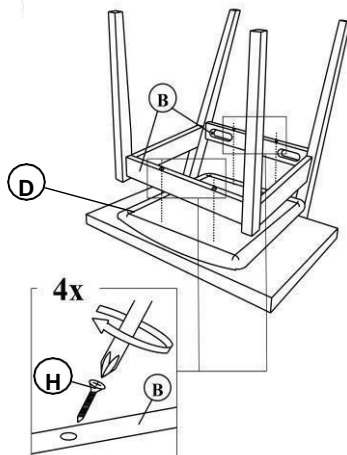
Step 3



Step 4



Step 5



Step 6

