

IDONA

WARRANTY & ASSEMBLY GUIDE

CODING

- 24092559
- 24092560
- 24092561



Nestnordic.com

Read the instruction carefully. Remove all the wrapping material staples and straps from the carton. Refer to the hardware and furniture part list for guidance. Be sure you have all parts before you start assembling. Place all the wooden furniture part on a clean and flat surface, such as carpet or rubbermat to prevent scratches.

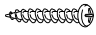
REGISTER & ACTIVATE YOUR WARRANTY WITHIN 14 DAYS!



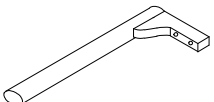
Log onto www.nestnordic.com/warranty to register and activate your product warranty within 14 (fourteen) days from purchase date.

Note: please use the batch number as printed on the carton box packaging of your product for registration purposes.

All NESTNORDIC products have a 1 (one) year warranty unless stated or upgraded.

Caution
KEEP ALL PARTS OUT OF REACH OF CHILDREN.

ITEM	HARDWARE LIST	QTY	SPARE QTY
①	PAN HEAD WOOD SCREW M5 X 32mm 	6	

ITEM	PART LIST	SPARE QTY
Ⓐ	UPPER RAIL 	1
Ⓑ	STOOL SEAT 	1
Ⓒ	STOOL LEG 	3

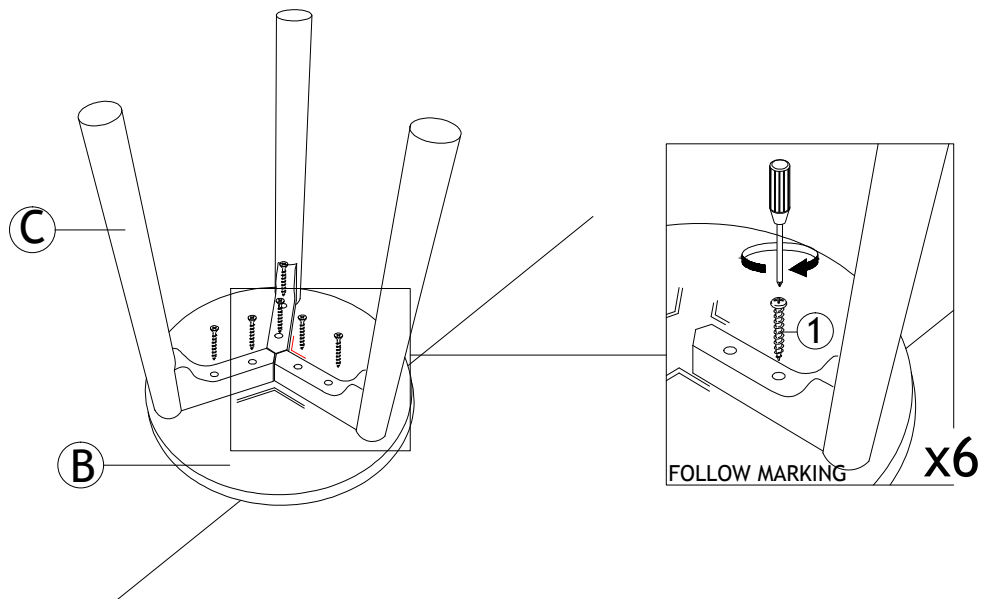
CODING

- 24092559
- 24092560
- 24092561



Nestnordic.com

Step 1



Step 2

