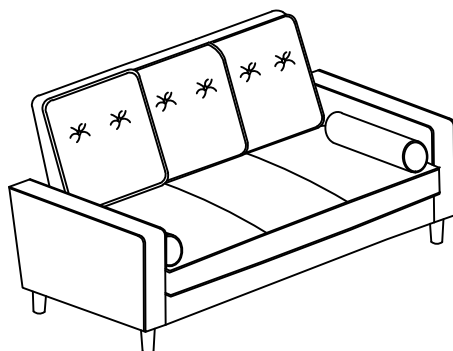


CODING
- 233353








ISO 9001:2015
Reg. No. 000435-1-MY-1-QMS

nesthouz.com

Read the instruction carefully. Remove all the wrapping material, staples and straps from the carton. Refer to the hardware and furniture part list for guidance. Be sure that you have all the parts before you start assembling. Place all the wooden furniture part on a clean and flat soft surface, such as carpet or rubber mat to prevent from scratches.

CAUTION
KEEP ALL THE PARTS OUT OF REACH OF CHILDREN .

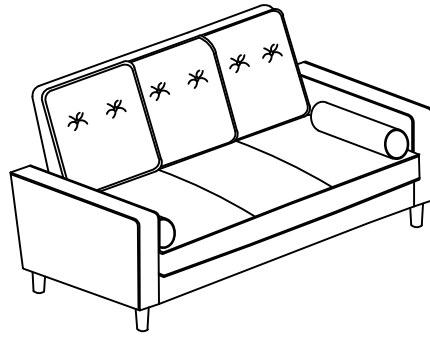
ITEM	PHOTO	HARDWARE NAME	QTY
A		PVC PLATE HOLDER	5

ITEM	PHOTO	PARTS NAME	QTY
1		SOFA LEG	4
2		ARM	2
3		SEAT	1
4		BACK	1

MAXUS

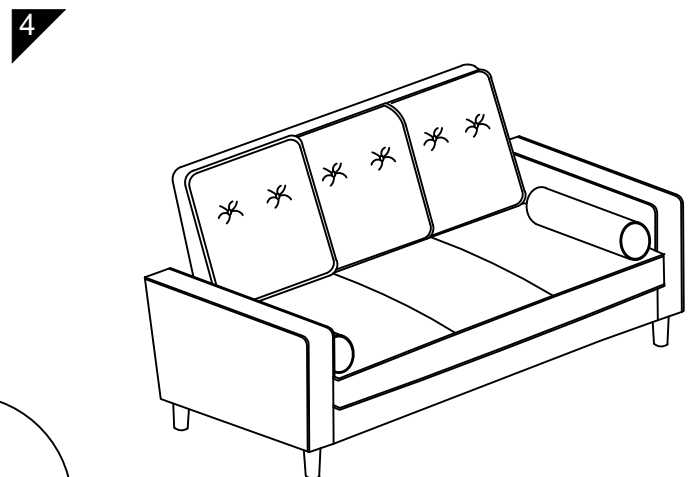
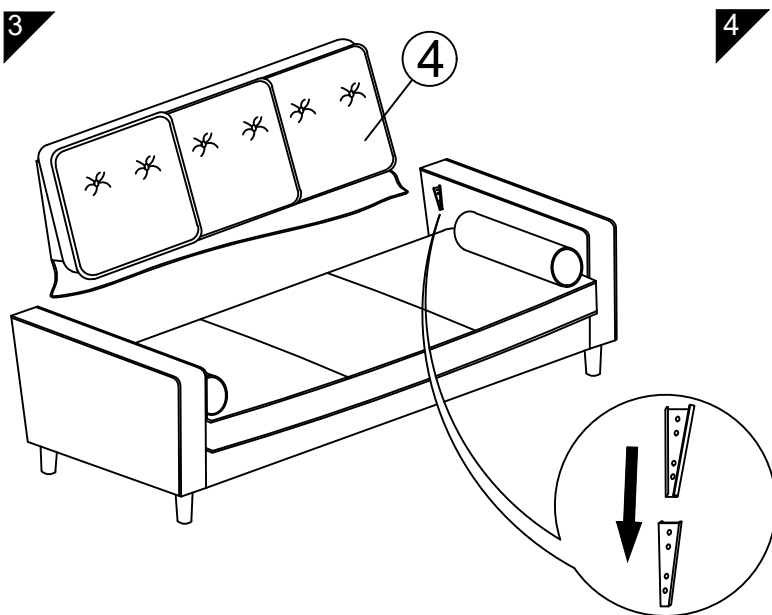
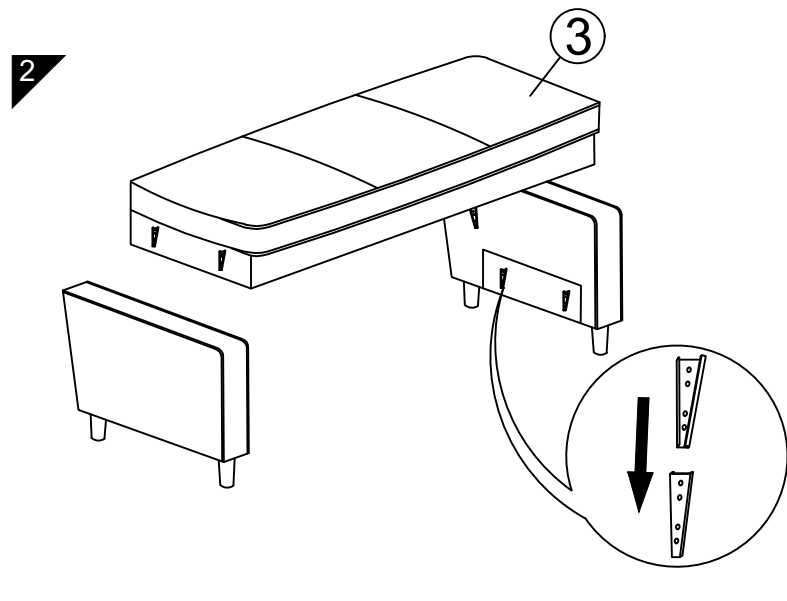
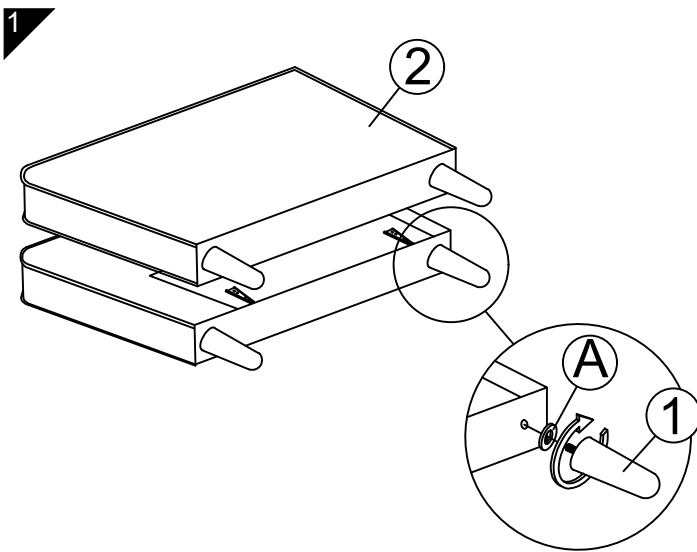
ASSEMBLY GUIDE

CODING
- 233353



ISO 9001:2015
Reg. No. 000435-1-MY-1-QMS

nesthouz.com



COMPLETE ASSEMBLY