

CODING
- 231372













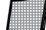


ISO 9001:2015
Reg.No. 000435-1-MY-1-QMS

nesthouz.com

Read the instructions carefully. Remove all the wrappings, staples and straps from the carton. Refer to the hardware and furniture part list for guidance. Make sure that you have all the parts before you start assembling. Place all the wooden furniture parts on a clean, flat and soft surface, such as a carpet or rubbermat to prevent scratches.

CAUTION
KEEP ALL THE PARTS OUT OF CHILDREN`S REACH.

ITEM	PHOTO	HAREWARE NAME	QTY
Ⓐ		M4 x 110mm Allen Key	1
Ⓑ		M6 x 50mm JCBC Bolts	12
Ⓒ		Spring Washer	12
Ⓓ		Screw M4 x 32mm	4
Ⓔ		Wood Dowel 8 x 30mm	6
Ⓕ		Wood Button	4

ITEM	PHOTO	HAREWARE NAME	QTY
①		Side Frame L	1
②		Side Frame R	1
③		Front Rail (Ⓕ)	1
④		Back Rail (Ⓖ)	1
⑤		BR Frame	1
⑥		Wooden Seat	1
⑦		Cushion	1

KEKO

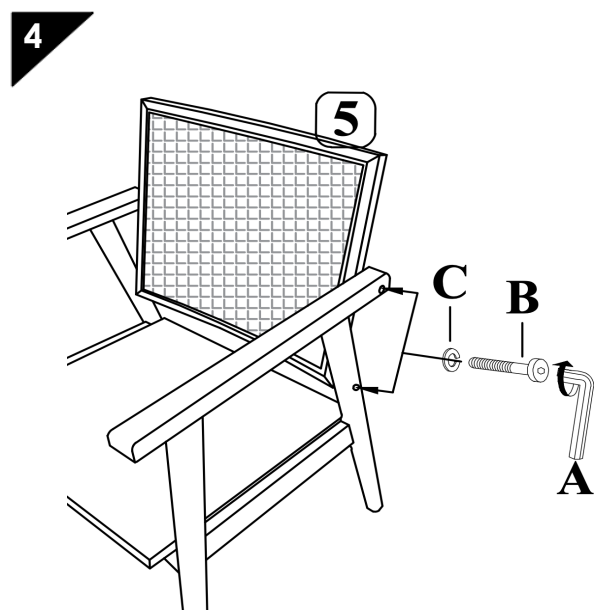
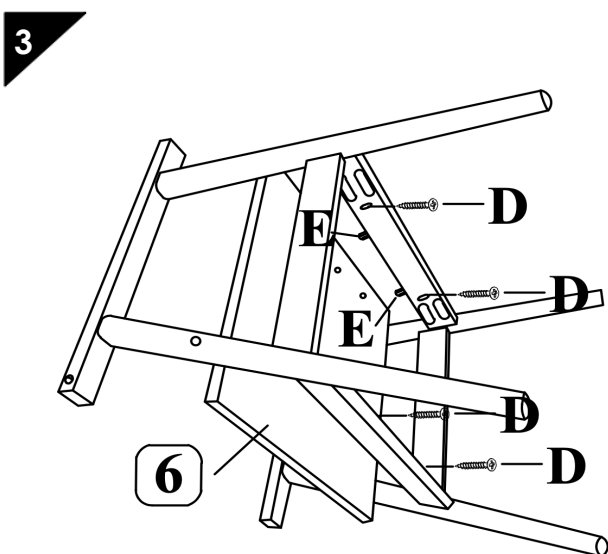
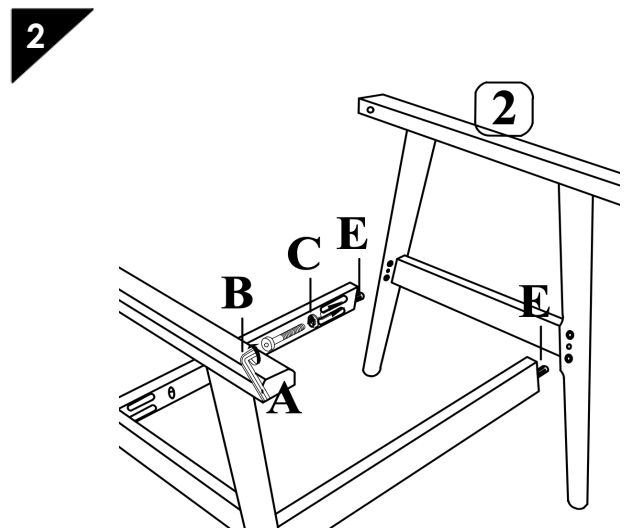
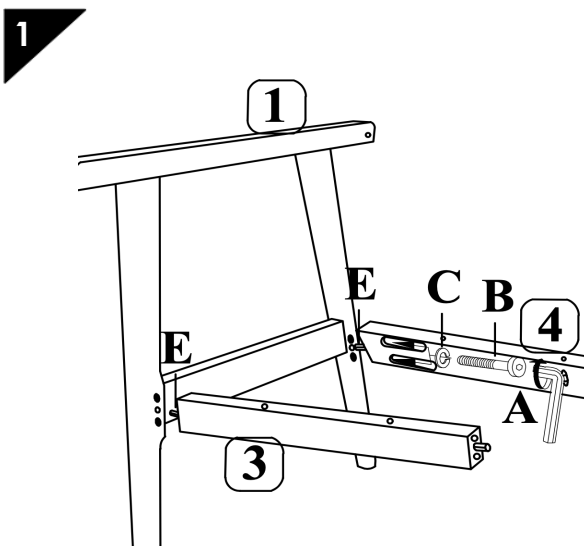
ASSEMBLY GUIDE

CODING
- 231372



ISO 9001:2015
Reg.No. 000435-1-MY-1-QMS

nesthouz.com



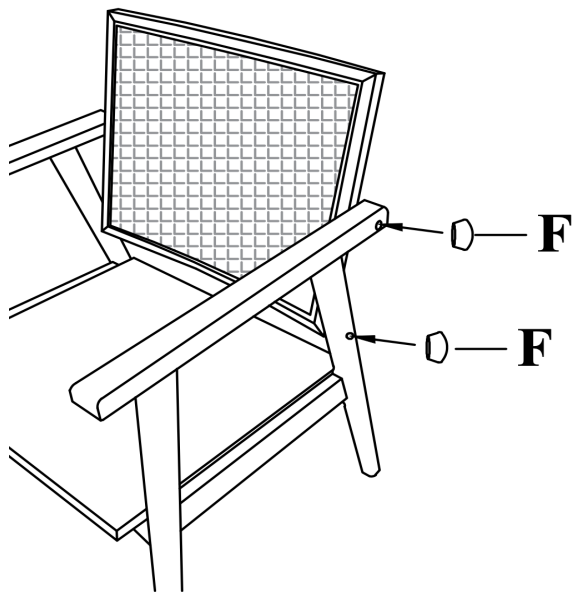
CODING
- 231372



ISO 9001:2015
Reg.No. 000435-1-MY-1-QMS

nesthouz.com

5



6

