

**CODING**  
-231339



**ISO 9001:2015**  
Reg. No. 000435-1-MY-1-QMS

**nesthouz.com**

Read the instruction carefully. Remove all the wrapping material, staples and straps from the carton. Refer to the hardware and furniture part list for guidance. Be sure that you have all the parts before you start assembling. Place all the wooden furniture part on a clean and flat soft surface, such as carpet or rubbermat to prevent from scratches.

**CAUTION**

KEEP ALL THE PARTS OUT OF REACH OF CHILDREN .

ITEM	PHOTO	HARDWARE NAME	QTY
A		JCBB SCREW M8X60MM	2
B		FLAT WASHER M8	8
C		ALLEN KEY M5	1
D		WOOD DOWEL M10 X 40MM	8
E		BARREL NUT M8	4
F		WOOD BUTTON 18.5MM	6
G		JCBB SCREW M8X80MM	2
H		C/B SCREW M4 X 45MM	3
I		PASTE PAD 20MM	4
J		JCBC SCREW M6X45MM	2
K		SPRING WASHER M6	2
L		ALLEN KEY M4	1
M		JCBB SCREW M8X70MM	2

ITEM	PHOTO	PART NAME	QTY
1		BODY	1
2		CUSHION PILLOW	1
3		CUSHION SEAT	1
4		APRON FRONT & BACK	2
5		APRON MIDDLE	1
6		ARM	2

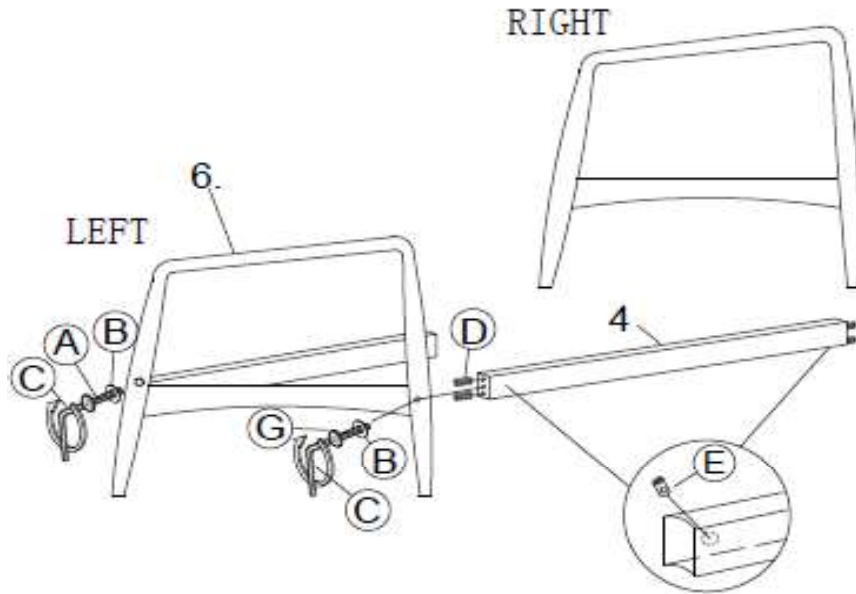
CODING  
-231339



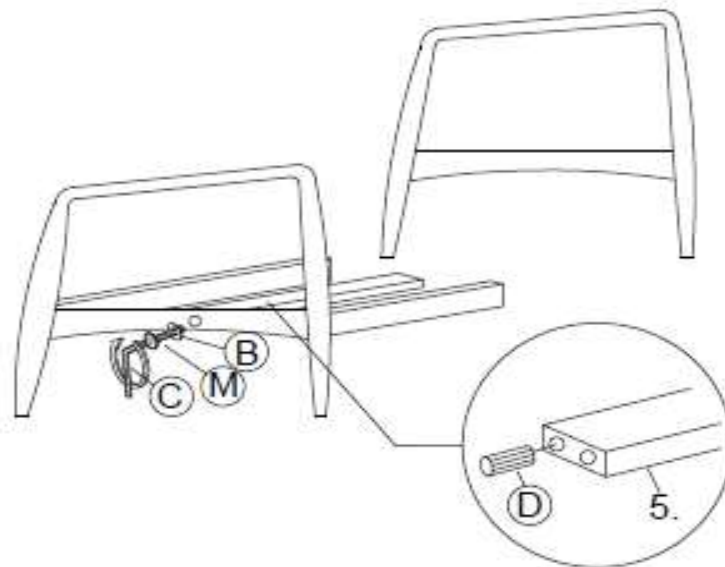
ISO 9001:2015  
Reg. No. 000435-1-MY-1-QMS

nesthouz.com

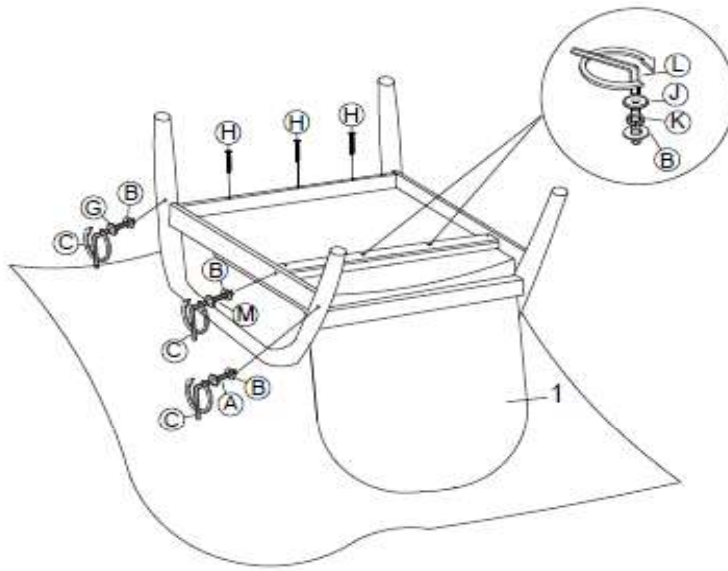
1



2



3



4

