

## CODING

-231318



ISO 9001:2015  
Reg. No. 000435-1-MTY-1-QMS

nesthouz.com

Read the instructions carefully. Remove all the wrappings, staples and straps from the carton. Refer to the hardware and furniture part list for guidance. Make sure that you have all the parts before you start assembling. Place all the wooden furniture parts on a clean, flat and soft surface, such as a carpet or rubbermat to prevent scratches.

CAUTION  
KEEP ALL THE PARTS OUT OF REACH OF CHILDREN.

| ITEM | PHOTO | HARDWARE NAME                    | QTY |
|------|-------|----------------------------------|-----|
| (A)  |       | JCBC SCREW<br>M6 x 45MM          | 4   |
| (B)  |       | JCBC SCREW<br>M6 x 60MM          | 4   |
| (C)  |       | SPRING WASHER<br>1/4"            | 8   |
| (D)  |       | FLAT WASHER<br>1/4"              | 8   |
| (E)  |       | ALLEN KEY M4<br>BALL SHAPE(LONG) | 1   |

| ITEM | PHOTO | PARTS NAME           | QTY |
|------|-------|----------------------|-----|
| (1)  |       | CHAIR SEAT           | 1   |
| (2)  |       | CHAIR BACK           | 1   |
| (3)  |       | FRONT LEG<br>(L & R) | 2   |

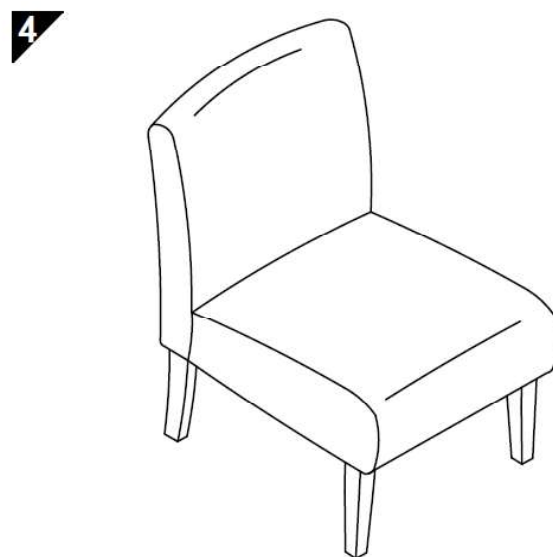
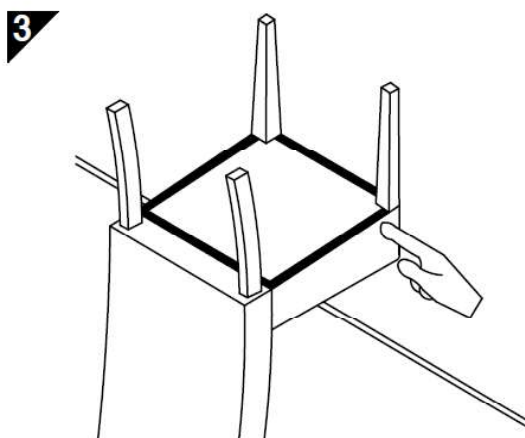
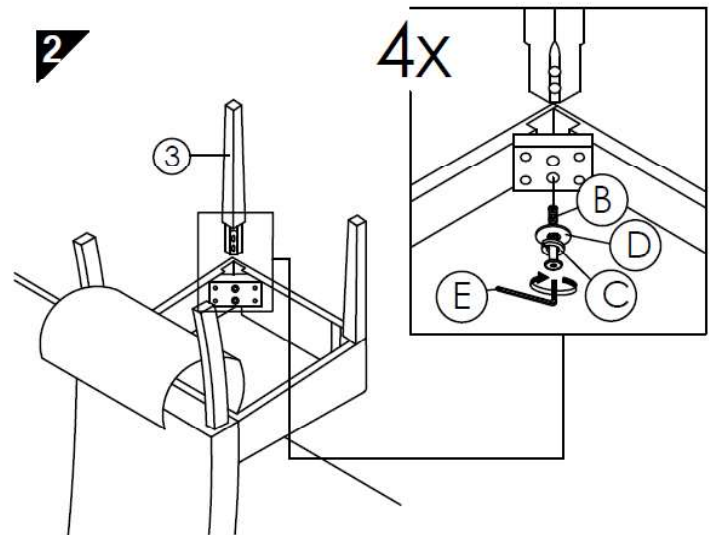
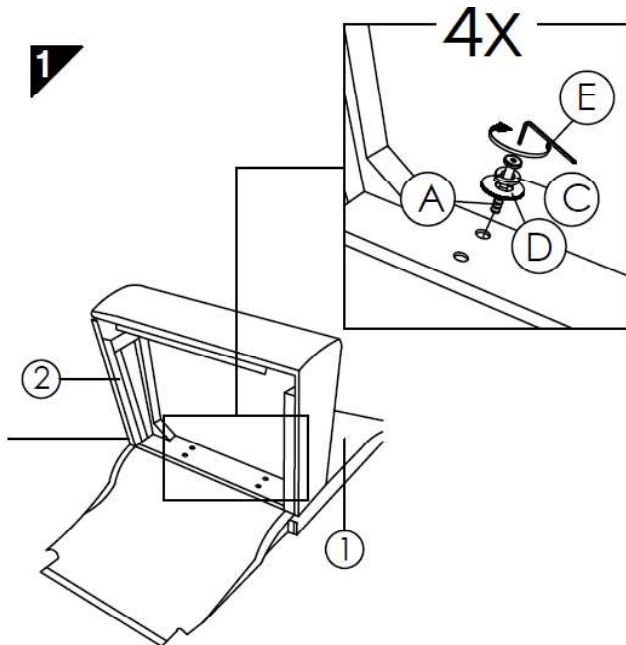
CODING

-231318



ISO 9001:2015  
Reg. No. 000435-1-MY-1-QMS

nesthouz.com



**NOTE**

\* Ensure the Rail on Backrest locks into the Rail on Armrest.

\* Assistance from your adult partner is needed during this process.