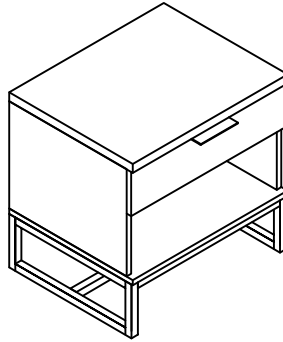


CODING
-151046



ISO 9001: 2015
Reg. No. 000435-1-MY-1-QMS

LUooma.com

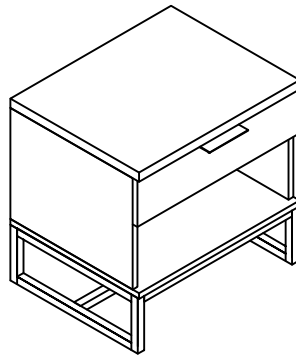
Read the instructions carefully. Remove all the wrappings, staples and straps from the carton. Refer to the hardware and furniture part list for guidance. Make sure that you have all the parts before you start assembling. Place all the wooden furniture parts on a clean, flat and soft surface, such as a carpet or rubbermat to prevent scratches.

CAUTION
KEEP ALL THE PARTS OUT OF CHILDREN'S REACH.

ITEM	PHOTO	HARDWARE NAME	QTY
(A)		Allen Key M4	1
(B)		Plastic Dowel M8x25	8
(C)		Mini Fix Bolt	4
(D)		Mini Fix Housing	4
(E)		Mini Fix Cap	4
(F)		CSK Screw M4x32mm	6
(G)		CSK Screw M3.5x16mm	22
(H)		CSK Screw M4x50mm	8
(I)		JCBC W Screw M6x40	4
(J)		JCBC Screw M6x50 Flat & Spring Washers	6
(K)		Handle	1
(L)		L Bracket	4
(M)		14" Drawer Slide	1

ITEM	PHOTO	PART NAME	QTY
(1)		Top Panel	1
(2)		Left Side Panel	1
(3)		Right Side Panel	1
(4)		Bottom Panel	1
(5)		Back Panel	1
(6)		Drawer Front Panel	1
(7)		Drawer Side Panel	2
(8)		Drawer Back Panel	1
(9)		Drawer Bottom Panel	1
(10)		Metal Frame Leg	2
(11)		Metal Support Legs	2
(12)		Metal Centre Leg	1

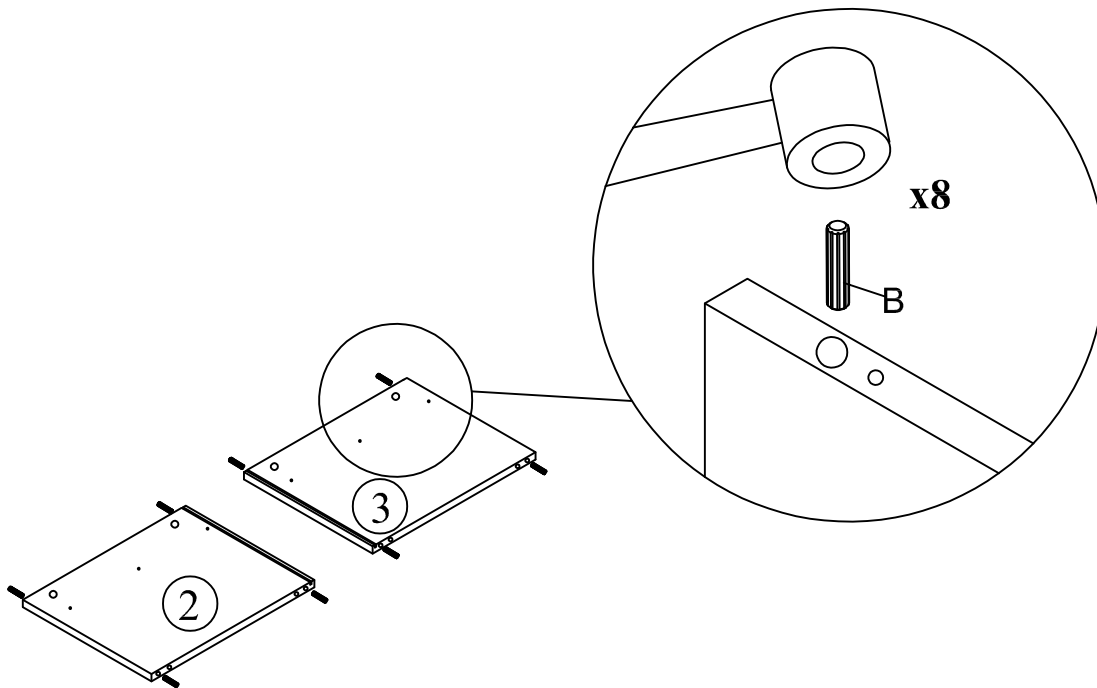
CODING
-151046



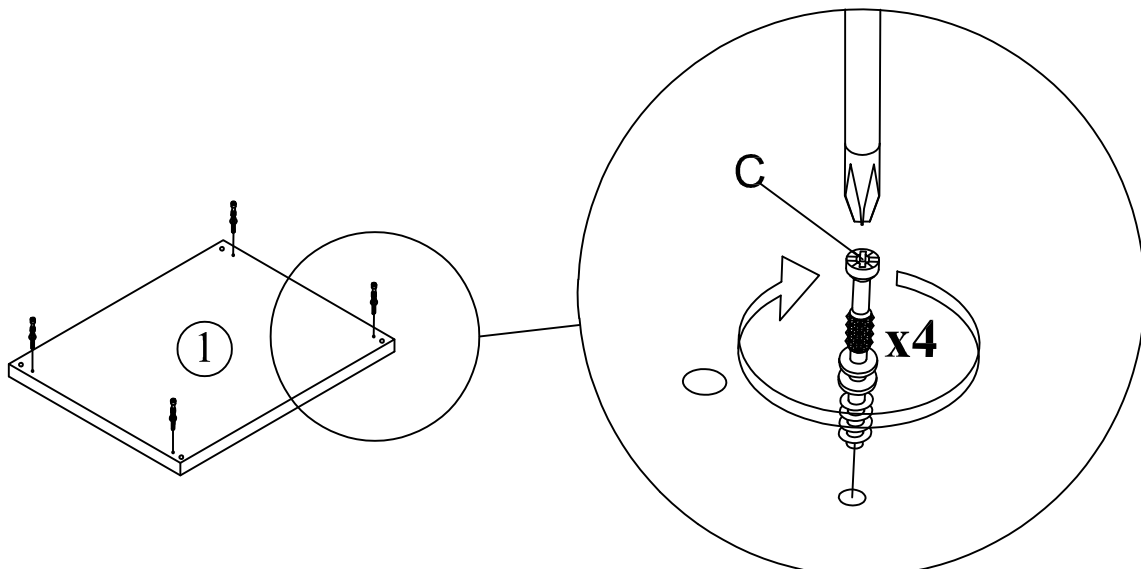
ISO 9001: 2015
Reg. No. 000435-1-MY-1-QMS

LUOMA.COM

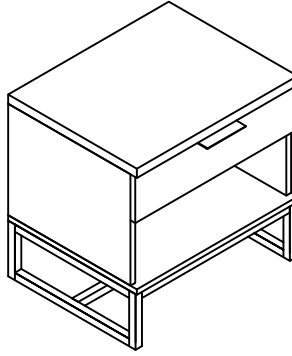
1



2



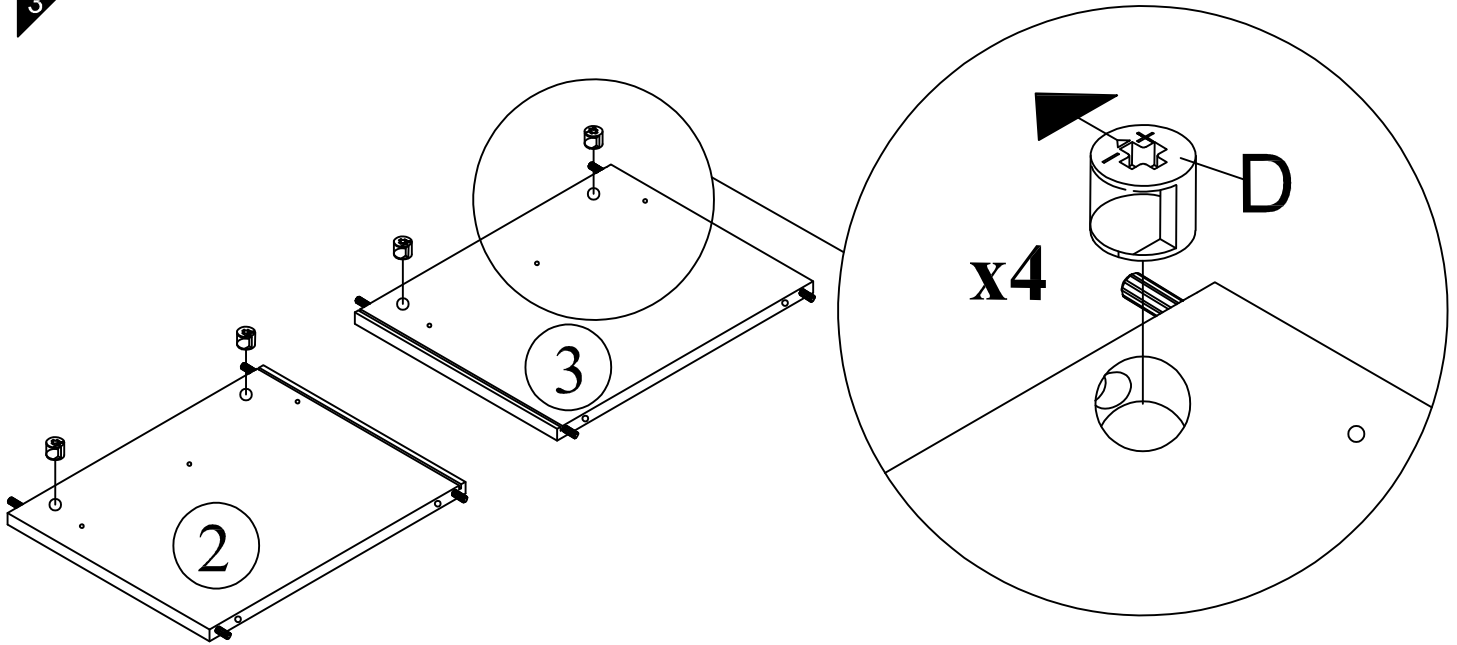
CODING
-151046



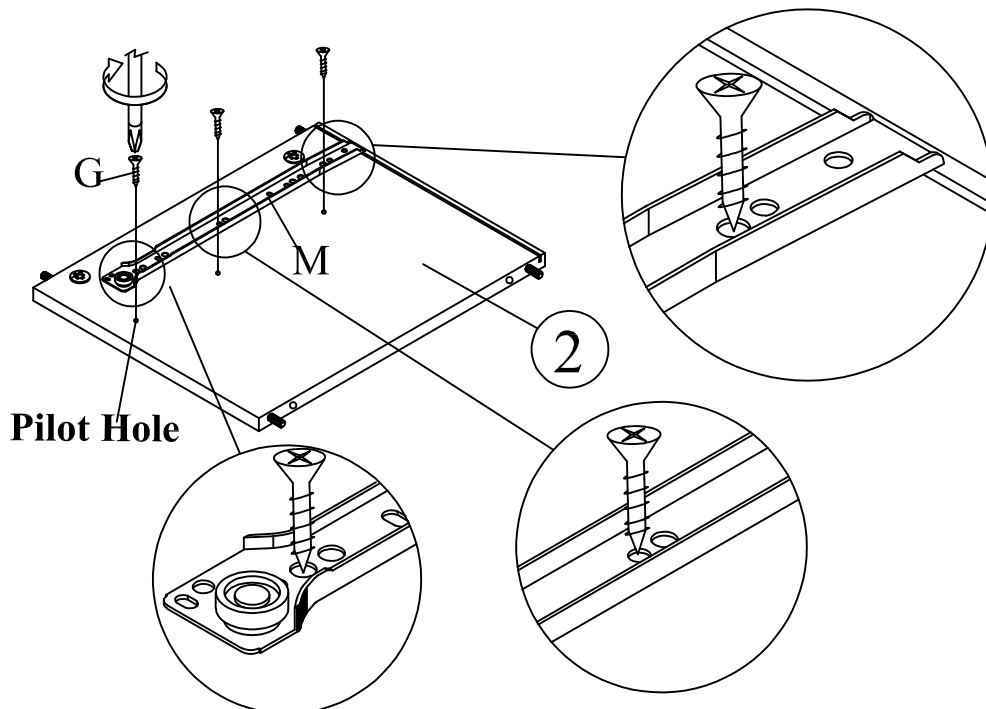
ISO 9001: 2015
Reg. No. 000435-1-MY-1-QMS

LUOMA.COM

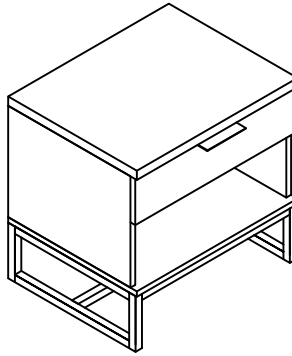
3



4



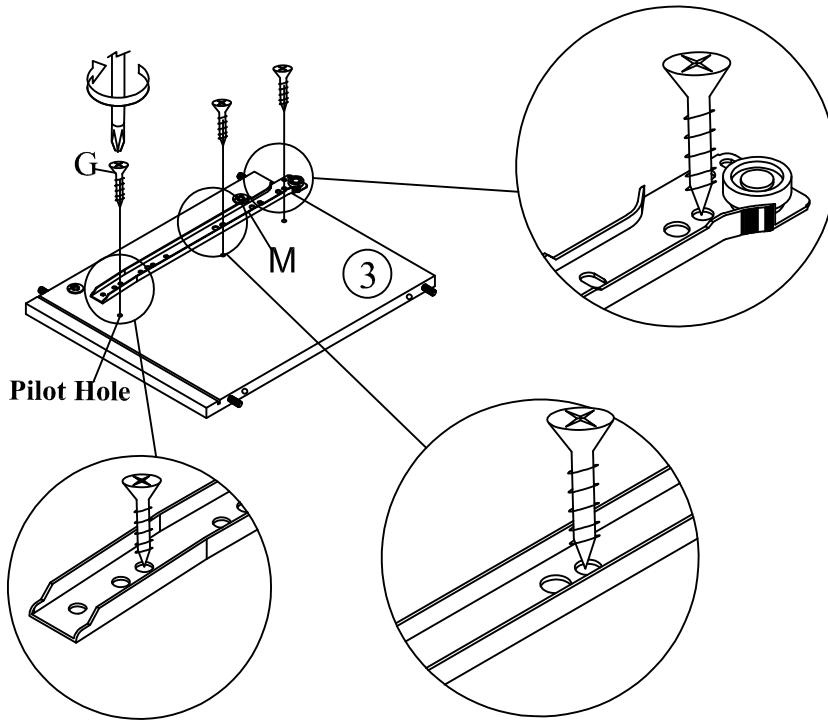
CODING
-151046



ISO 9001: 2015
Reg. No. 000435-1-MY-1-QMS

LUOMA.COM

5



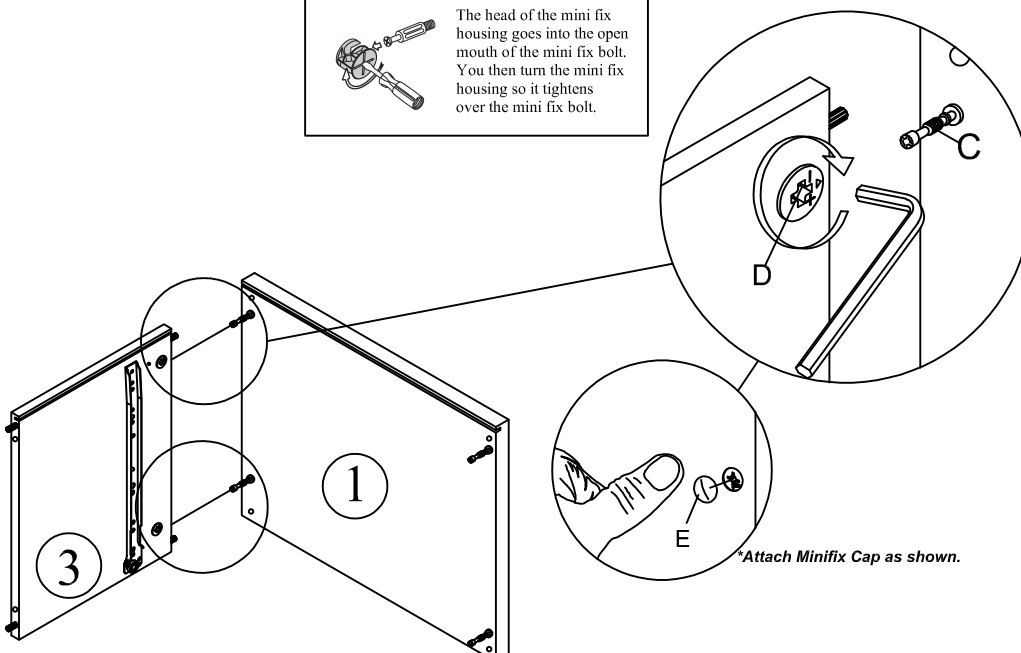
6

BACK VIEW

This is how a mini fix works...

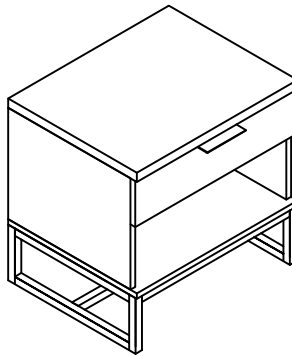


The head of the mini fix housing goes into the open mouth of the mini fix bolt. You then turn the mini fix housing so it tightens over the mini fix bolt.



*Attach Minifix Cap as shown.

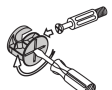
CODING
-151046

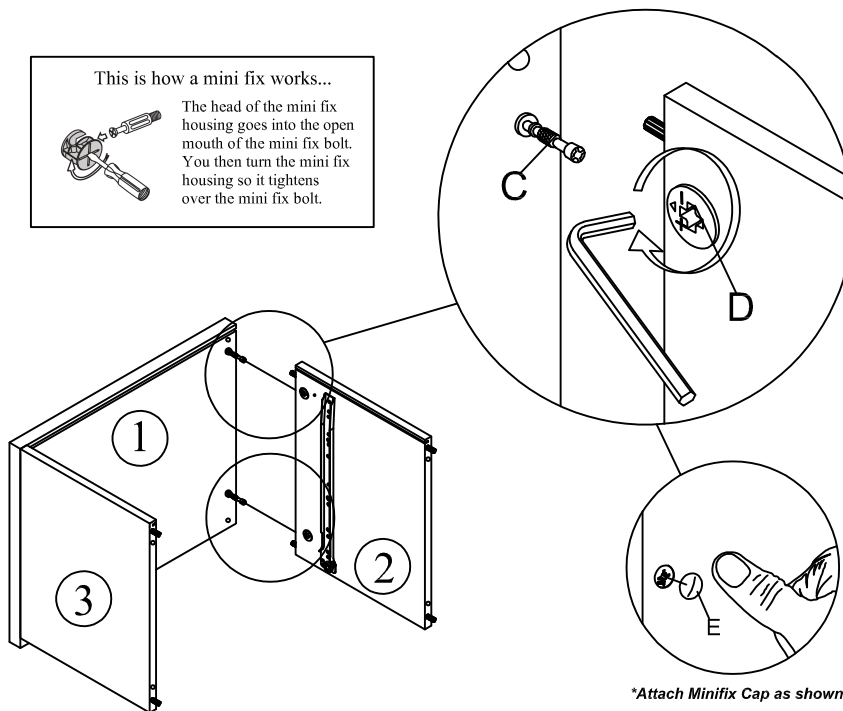


ISO 9001: 2015
Reg. No. 000435-1-MY-1-QMS

LUOMA.COM

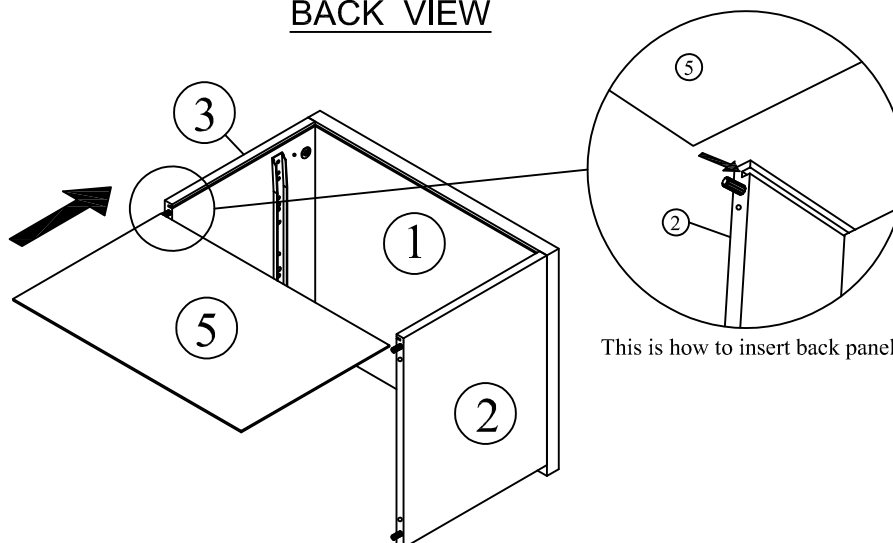
7

This is how a mini fix works...

The head of the mini fix housing goes into the open mouth of the mini fix bolt. You then turn the mini fix housing so it tightens over the mini fix bolt.

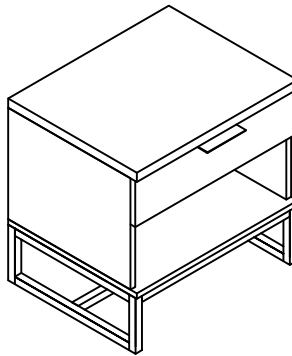


8

BACK VIEW



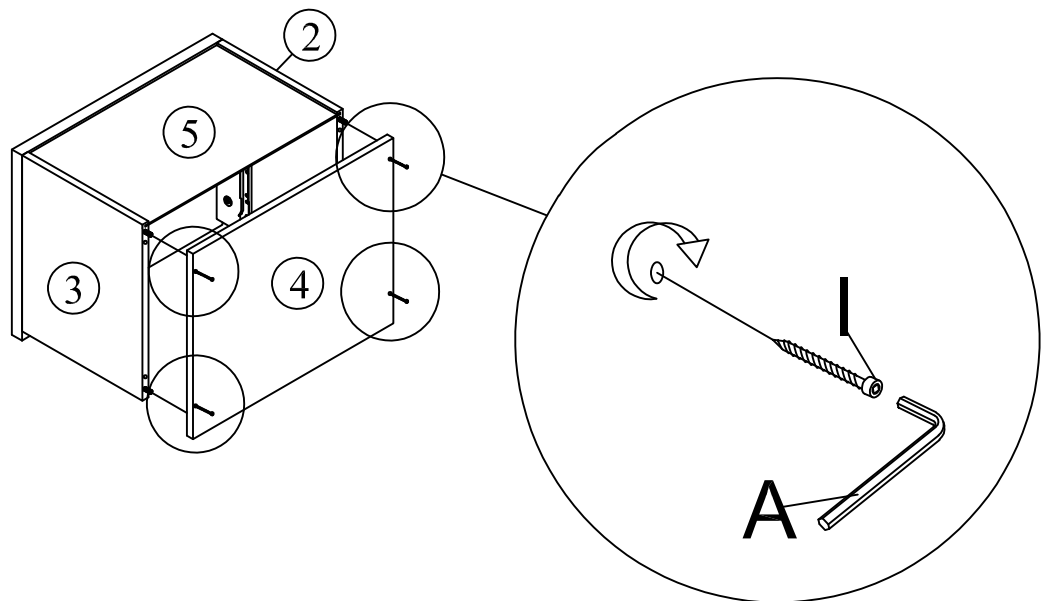
CODING
-151046



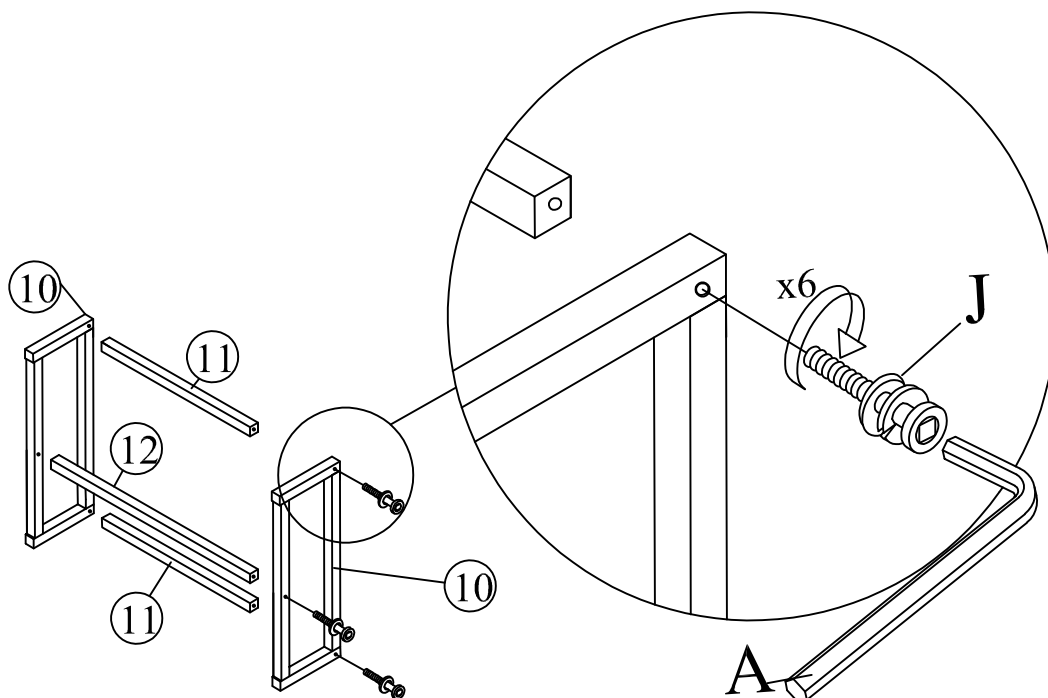
ISO 9001: 2015
Reg. No. 000435-1-MY-1-QMS

LUOMA.COM

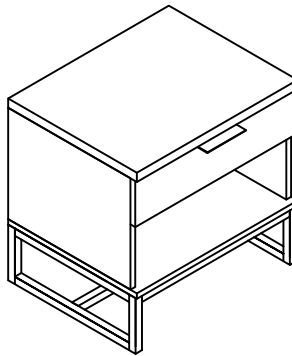
9



10



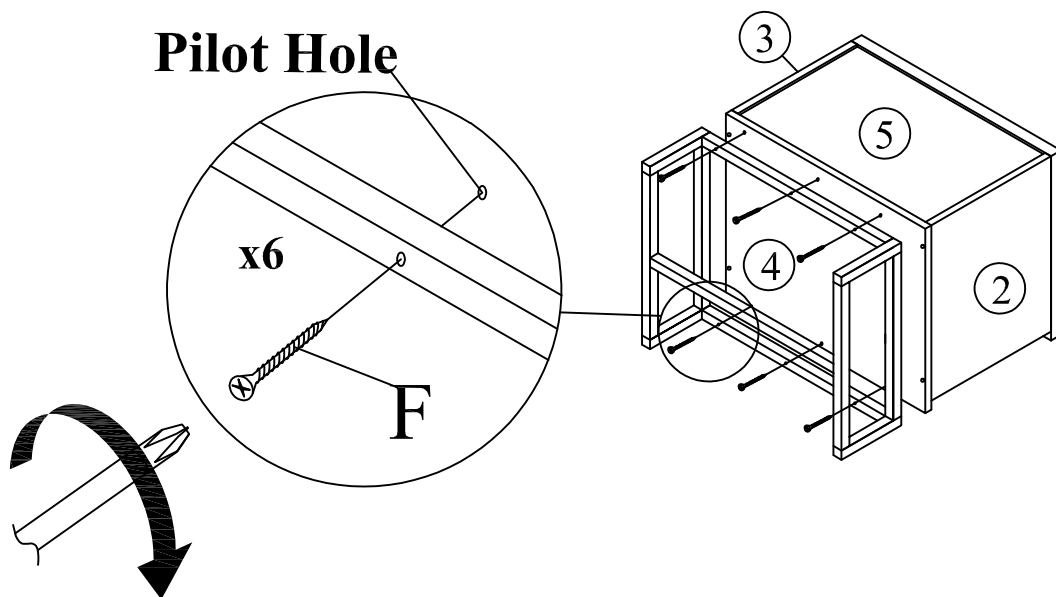
CODING
-151046



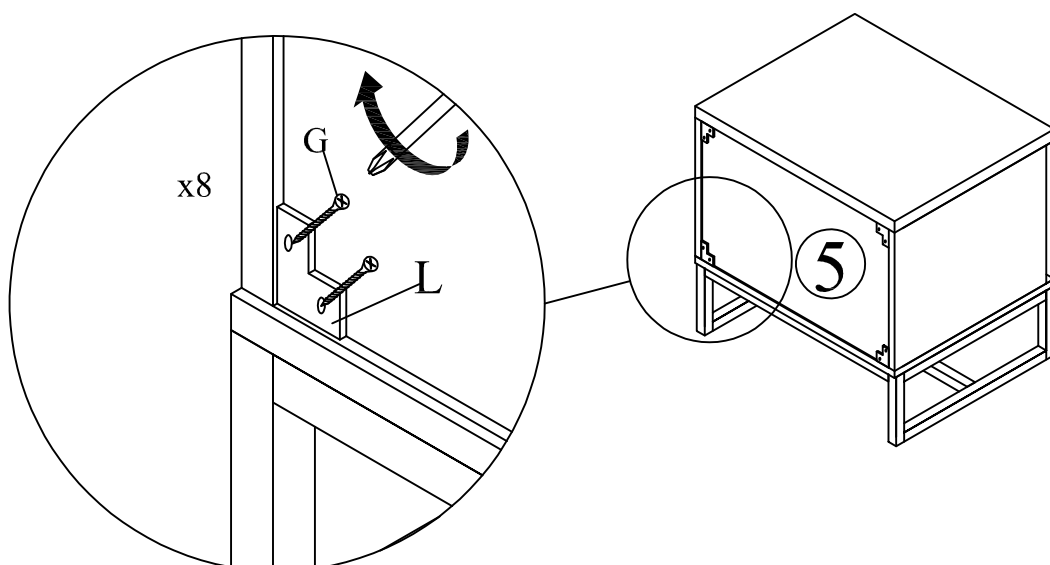
ISO 9001: 2015
Reg. No. 000435-1-MY-1-QMS

LUOMA.COM

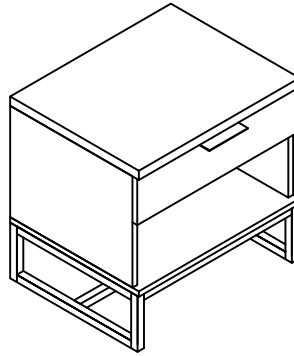
11



12



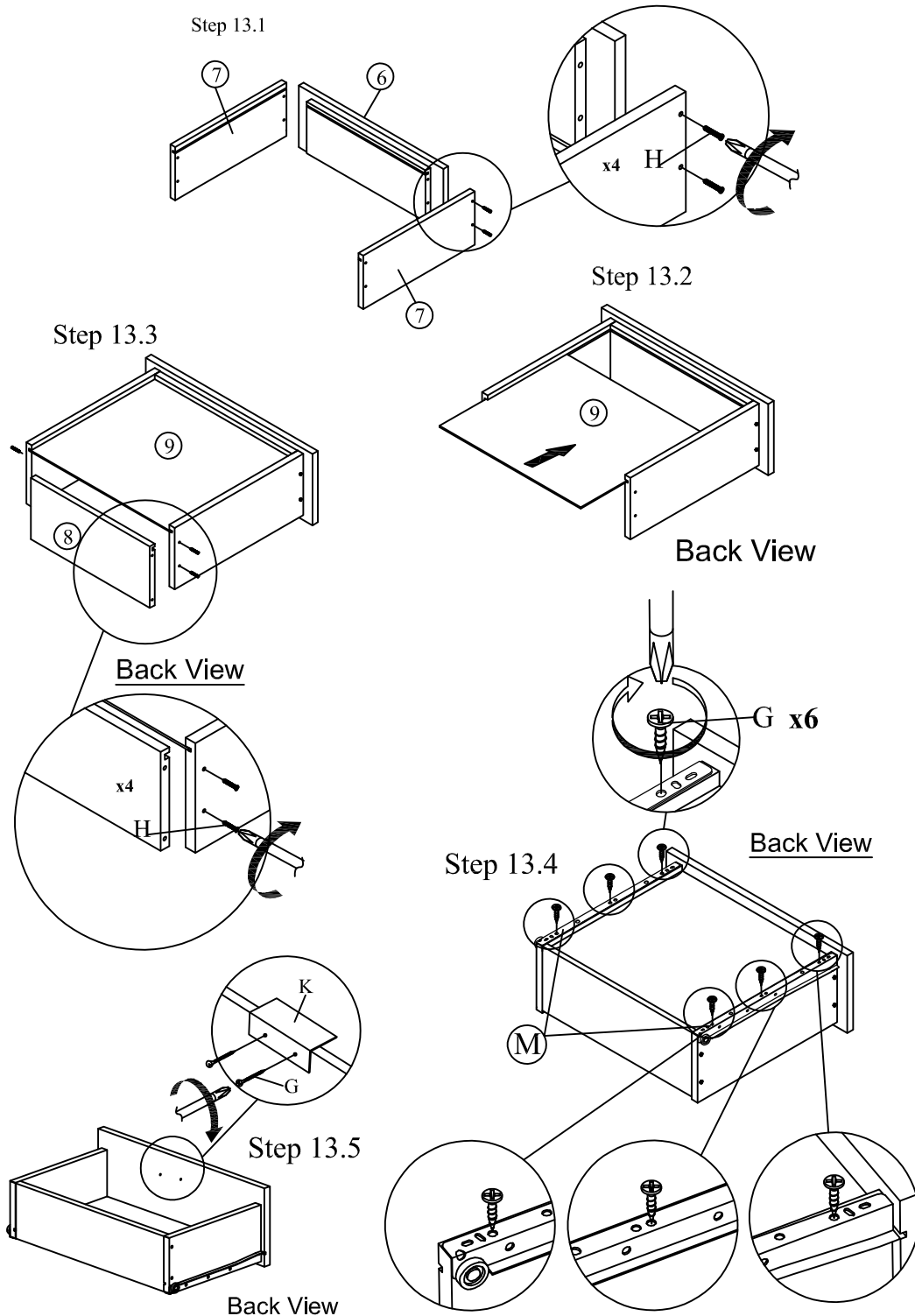
CODING
-151046



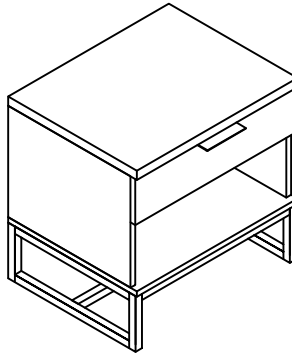
ISO 9001: 2015
Reg. No. 000435-1-MY-1-QMS

LUOMA.COM

13



CODING
-151046



ISO 9001: 2015
Reg. No. 000435-1-MY-1-QMS

LUOMA.COM

14

